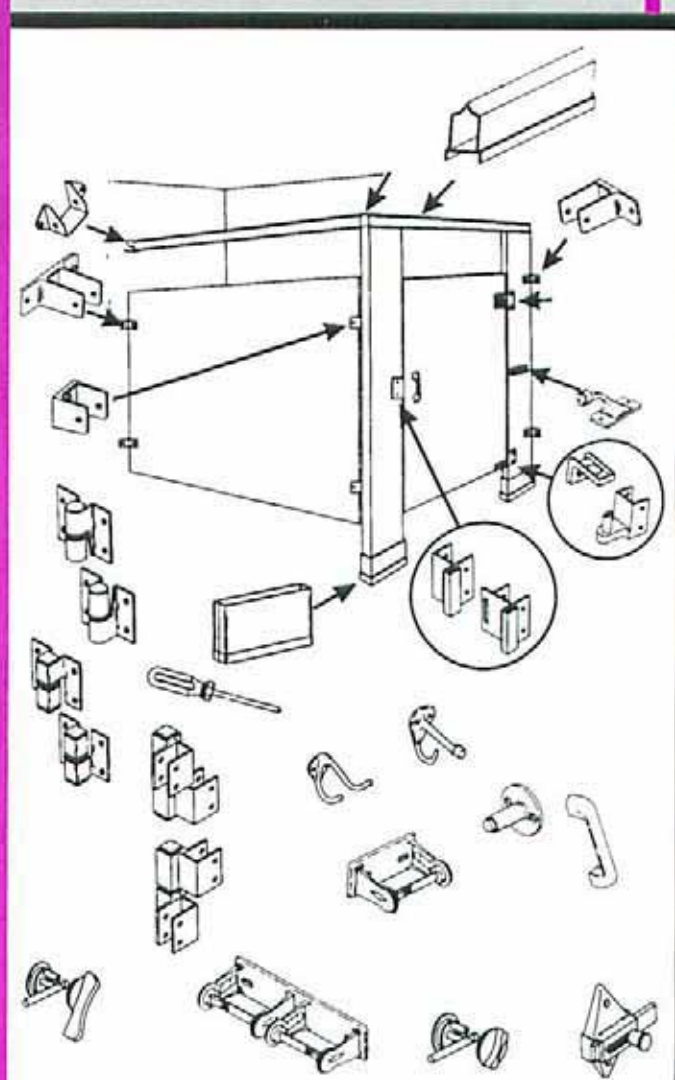
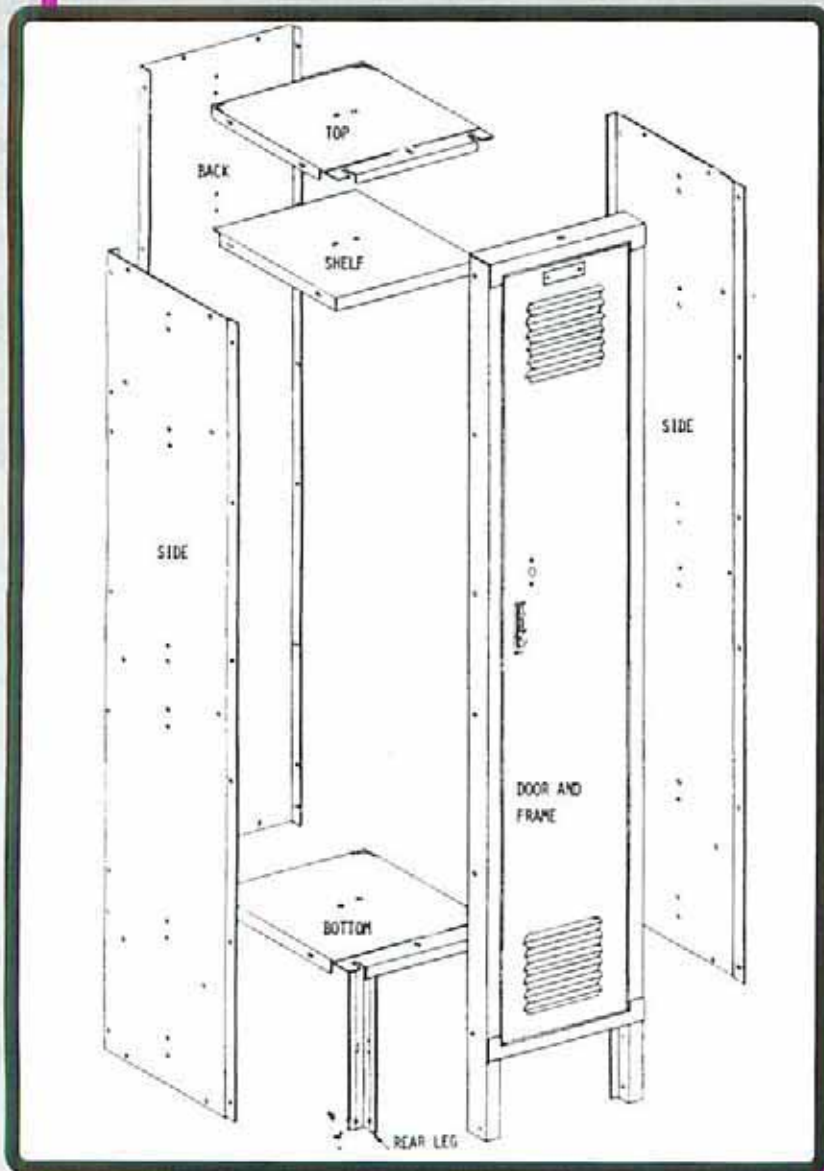


**TOLL FREE
ORDER LINE
800
653-4229**

J. SALLESE

REPAIR PARTS CATALOG



J. SALLESE & SONS, INC.

5 Crescent Ave., Unit 12 • Walnut Hill Park • Woburn, MA 01801

Phone: (781)246-3508 • Fax: (781)246-2402

Email: Jsallese@Jsallese.com • Website: www.Jsallese.com

E-Z Bilt Storage Cabinets from J. Sallese

With Recessed Handle

- 3 Popular Sizes • Contemporary Design & Finish
- Ships Knocked Down • Adjustable Shelves

Our E-Z Bilt Storage Cabinet is an ideal solution to storage needs in offices, plants, schools and institutions. Its contemporary design and attractive baked enamel finish is compatible with any office decor. Design features include a recessed handle with built-in lock & 2 keys; 3 hinges per door; three point latching; and 2" shelf adjustment. Available for quick shipment in 3 models, 3 sizes and 2 colors, Light Putty and Gray.



Storage Cabinet

Includes: 4 Full Width Shelves

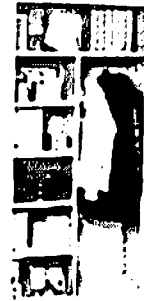
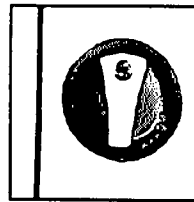
| Size w x d x h | K.D. Cat. No. |
|-------------------|------------------|
| 36" 18" 78" | 76218 |
| 36" 21" 78" | 7622 |
| 36" 24" 78" | 76224 |



Wardrobe Cabinet

Includes: 1 Full Shelf, 1 Coat Rod, 2 Coat Hooks

| Size w x d x h | K.D. Cat. No. |
|-------------------|------------------|
| 36" 18" 78" | 76318 |
| 36" 21" 78" | 76321 |
| 36" 24" 78" | 76324 |



Combination Cabinet

Includes: 1 Shelf, 4 Half Shelves that adjust on 6" centers, 1 Coat Rod, 2 coat hooks

| Size w x d x h | K.D. Cat. No. |
|-------------------|------------------|
| 36" 18" 78" | 76418 |
| 36" 21" 78" | 76421 |
| 36" 24" 78" | 76424 |

New! E-Z Bilt Storage Cabinets With Locking "L" Handle

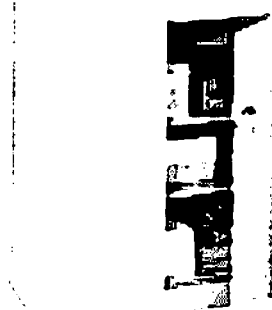
78" High Storage Cabinet



The new 48" wide x 24" deep, 78" high storage cabinet provides spacious secure storage for almost anything. Ideal for office, institutional or manufacturing facilities.

Four reinforced shelves, each supported at six points, adjust on 2" vertical centers and will support an evenly distributed load of up to 400 lbs. per shelf.

42" High Storage Cabinets



These 42" high counter height storage cabinets feature a smooth heavy gauge top and are available 36" wide by 18" or 24" deep, and 48" wide by 24" deep.

Two interior shelves adjust on 2" vertical increments. Three point locking "L" handle with two keys provided.

Doors swing 180 degrees for full access to contents, and have three point locking "L" handles with two keys.

Stocked in Light Putty and Gray finishes.

Ships KD for easy assembly.



78" H. "L" Handle Storage Cabinet

| Size w x d x h | Cat. No. |
|-------------------|----------|
| 48" 24" 78" | 76715 |

42" H. "L" Handle Storage Cabinets

| Size w x d x h | Cat. No. |
|-------------------|----------|
| 36" 18" 42" | 75018 |
| 36" 24" 42" | 75024 |
| 48" 24" 42" | 75124 |

Extra Shelves - for all E-Z Bilt Cabinets

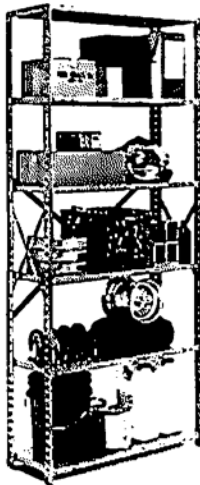
| Shelf Size w x d | Cat. No. |
|---------------------|----------|
| 36" 18" | 766571C |
| 36" 21" | 766572C |
| 36" 24" | 766573C |
| 48" 24" | 766568C |

ERECTOMATIC SHELVING UNITS

**All Units Are
36" Wide, 87" High
With Heavy Duty Shelves
Color 049 Gray**

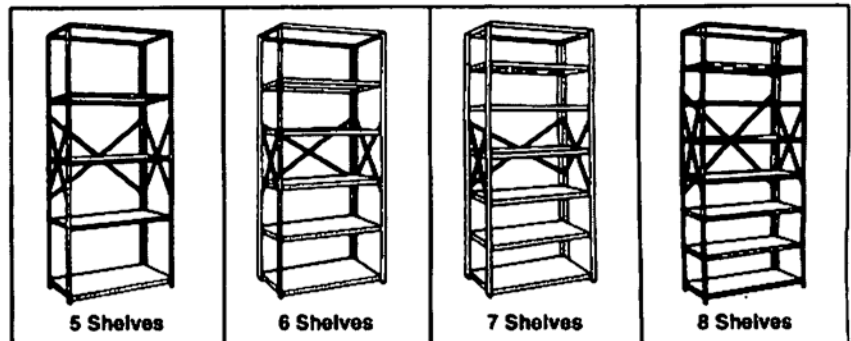
Open Shelving

Open shelving is the most basic method of storing packaged or bulky items. Units feature Beaded Post at the front of the unit and Offset Angle or T-Posts at the rear and are stabilized by side and back sway bracing.

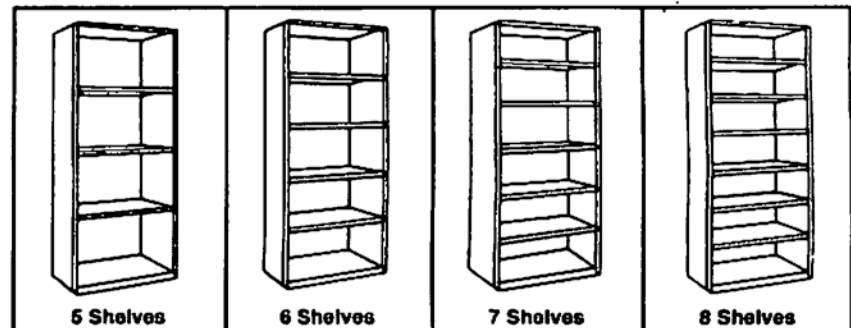


Closed Shelving

End panels, T-panels and back panels provide stability as well as protection for stored items. Front base strips are included. Locking doors may be added for greater security. A full line of shelving parts and accessories are available.



| Shelf Depth | Starting | Starting | Starting | Starting |
|-------------|-----------|-----------|-----------|-----------|
| 12" | H51012 | H51112 | H51212 | H51312 |
| 18" | H51018 | H51118 | H51218 | H51318 |
| 24" | H51024 | H51124 | H51224 | H51324 |
| 30" | H51030 | H51130 | H51230 | H51330 |
| 36" | H51036 | H51136 | H51236 | H51336 |
| Shelf Depth | Adjoining | Adjoining | Adjoining | Adjoining |
| 12" | H51012A | H51112A | H51212A | H51312A |
| 18" | H51018A | H51118A | H51218A | H51318A |
| 24" | H51024A | H51124A | H51224A | H51324A |
| 30" | H51030A | H51130A | H51230A | H51330A |
| 36" | H51036A | H51136A | H51236A | H51336A |



| Shelf Depth | Starting | Starting | Starting | Starting |
|-------------|-----------|-----------|-----------|-----------|
| 12" | H52012 | H52112 | H52212 | H52312 |
| 18" | H52018 | H52118 | H52218 | H52318 |
| 24" | H52024 | H52124 | H52224 | H52324 |
| 30" | H52030 | H52130 | H52230 | H52330 |
| 36" | H52036 | H52136 | H52236 | H52336 |
| Shelf Depth | Adjoining | Adjoining | Adjoining | Adjoining |
| 12" | H52012A | H52112A | H52212A | H52312A |
| 18" | H52018A | H52118A | H52218A | H52318A |
| 24" | H52024A | H52124A | H52224A | H52324A |
| 30" | H52030A | H52130A | H52230A | H52330A |
| 36" | H52036A | H52136A | H52236A | H52336A |

Many other sizes available.

J. SALLESE & SONS, INC.

5 Crescent Ave., Unit 12 • Walnut Hill Park • Woburn, MA 01801

Ph: 781-246-3508 • Fx: 781-246-2402 • Email: jsallese@jsallese.com • Website: www.jsallese.com

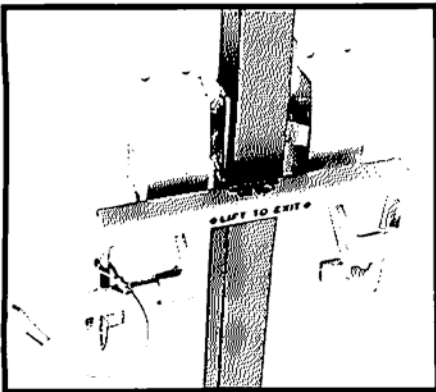
SECURITY LATCH

WHY WAS SECURITY LATCH CREATED?

For many years now, school administrators, civic leaders, businessmen, and especially fire officials have expressed a desire for a safer way to secure panic doors. Most standard methods (locks and chains) don't meet with state fire regulations. They make it virtually impossible for someone trapped inside a building to get out.

Security Latch has the unique ability to secure panic doors tightly. Yet it allows immediate exit without the use of keys, combinations, or tools.

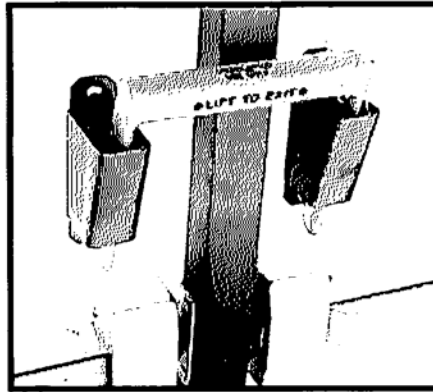
Security Latch is SIMPLE, SAFE, and SECURE.



DOUBLE DOOR LATCH

RESTS FIRMLY AGAINST THE CENTER POST

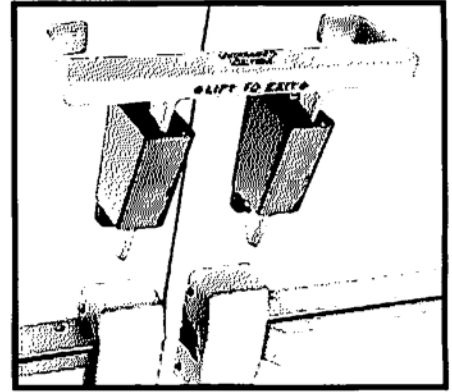
#SL2000 NO CABLE LOCK
#SL2050 WITH CABLE LOCK



DOUBLE DOOR LATCH

RESTS FIRMLY AGAINST THE CENTER POST

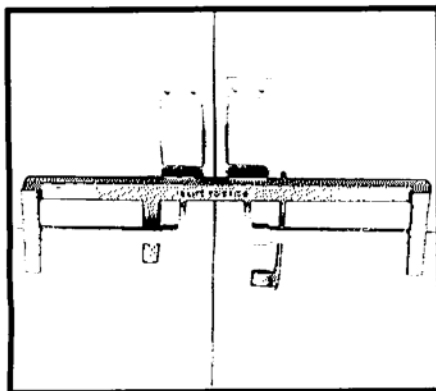
#SL4000 NO CABLE LOCK
#SL4050 WITH CABLE LOCK



DOUBLE DOOR LATCH

FOR DOORS WITHOUT A CENTER POST

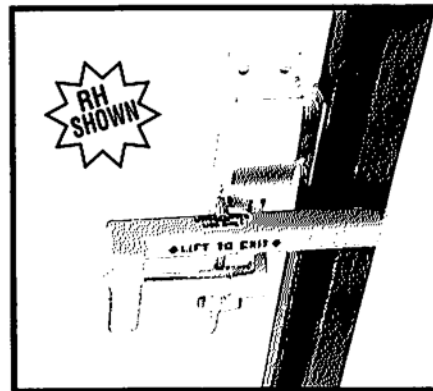
#SL4100 NO CABLE LOCK
#SL4150 WITH CABLE LOCK



DOUBLE DOOR LATCH

FOR DOORS WITHOUT A CENTER POST

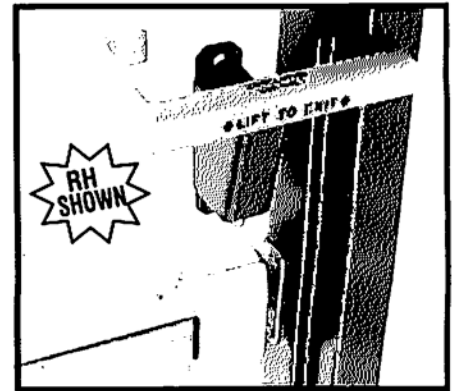
#SL2100 NO CABLE LOCK
#SL2150 WITH CABLE LOCK



SINGLE DOOR LATCH

RESTS FIRMLY AGAINST DOOR JAMB

#SL1200 RH NO CABLE LOCK #SL1100 LH NO CABLE LOCK
#SL1250 RH WITH CABLE LOCK #SL1150 LH WITH CABLE LOCK



SINGLE DOOR LATCH

RESTS FIRMLY AGAINST DOOR JAMB

#SL4200 RH NO CABLE LOCK #SL4300 LH NO CABLE LOCK
#SL4250 RH WITH CABLE LOCK #SL4350 LH WITH CABLE LOCK

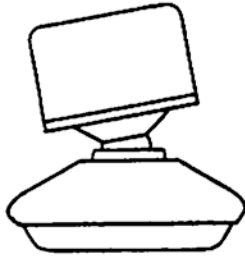
J. SALLESE & SONS, INC.

5 Crescent Ave., Unit 12 • Walnut Hill Park • Woburn, MA 01801

Ph: 781-246-3508 • Fx: 781-246-2402 • Email: jsallese@jsallese.com • Website: www.jsallese.com

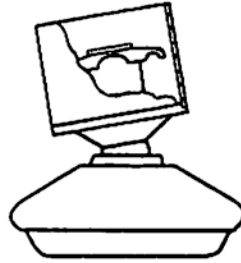
CHAIR GLIDES

CG500 STEEL BASE SWIVEL
CG501 NYLON BASE SWIVEL



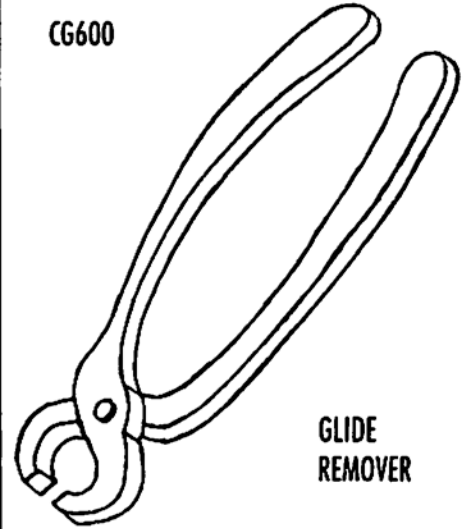
FITS 5/8" O.D. TUBING
1-1/4" BASE

CG502 STEEL BASE SWIVEL
CG503 NYLON BASE SWIVEL



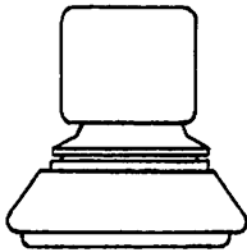
FITS 5/8" O.D. TUBING
1/2" I.D., 1-1/4" BASE

CG600



GLIDE
REMOVER

CG504 STEEL BASE SWIVEL



FITS 9/16" O.D. TUBING
7/16" I.D., 1-1/4" BASE

ALL GLIDES ARE SHOWN
AT ACTUAL SIZE.

MANY OTHERS
AVAILABLE.

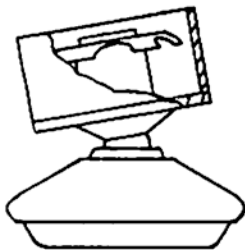
PLEASE SEND US SAMPLE
WHEN IN DOUBT.

CG505 STEEL BASE SWIVEL
CG506 NYLON BASE SWIVEL



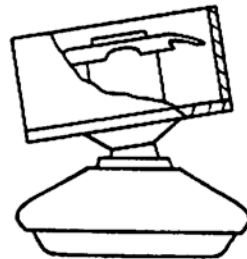
FITS 3/4" O.D. TUBING
5/8" I.D., 1-1/4" BASE

CG507 STEEL BASE SWIVEL
CG508 NYLON BASE SWIVEL



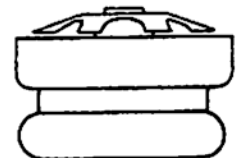
FITS 7/8" O.D. TUBING
3/4" I.D., 1-1/4" BASE

CG509 STEEL BASE SWIVEL
CG510 NYLON BASE SWIVEL



FITS 1" O.D. TUBING
7/8" I.D., 1-1/4" BASE

CG511 STEEL BASE
NON-SWIVEL



FITS 1" O.D. TUBING
7/8" I.D., 1-1/16" BASE

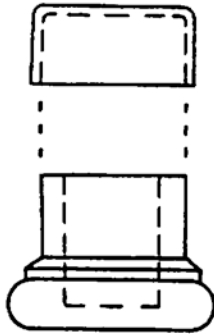
J. SALLESE & SONS, INC.

5 Crescent Ave., Unit 12 • Walnut Hill Park • Woburn, MA 01801

Ph: 781-246-3508 • Fx: 781-246-2402 • Email: Jsallese@Jsallese.com • Website: www.Jsallese.com

CHAIR GLIDES

**CG512 STEEL BASE
NON-SWIVEL**



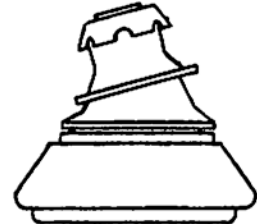
**FITS 1/2" I.D. TUBING
1-1/16" BASE**

**CG513 STEEL BASE SWIVEL
CG514 NYLON BASE SWIVEL**



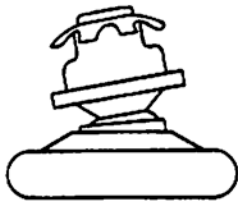
1-1/4" BASE

**CG515 STEEL BASE SWIVEL
CG516 NYLON BASE SWIVEL**



**FITS 9/16" O.D. TUBING
7/16" I.D.**

CG517 STEEL BASE SWIVEL



**FITS 11/16" O.D. TUBING
9/16" I.D., 1-3/16" BASE**

CG518 STEEL BASE SWIVEL



**FITS 7/8" O.D. TUBING
3/4" I.D., 1-1/4" BASE**

CG519 STEEL BASE SWIVEL



FITS 3/4" O.D. TUBING

**CG520 STEEL BASE
NON-SWIVEL**



**FITS 3/4" O.D. TUBING
5/8" I.D., 1-1/16" BASE**

CG521 STEEL BASE SWIVEL



**FITS 7/8" O.D. SQUARE TUBING
3/4" I.D., 1-1/16" BASE**

CG522 STEEL BASE SWIVEL



**FITS 1" O.D. SQUARE TUBING
7/8" I.D.**

J. SALLESE & SONS, INC.

5 Crescent Ave., Unit 12 • Walnut Hill Park • Woburn, MA 01801

Ph: 781-246-3508 • Fx: 781-246-2402 • Email: Jsallese@Jsallese.com • Website: www.Jsallese.com

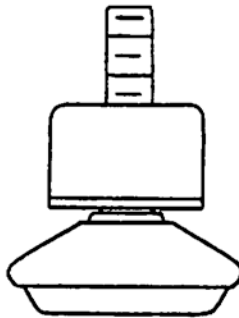
CHAIR GLIDES

CG523 STEEL BASE SWIVEL



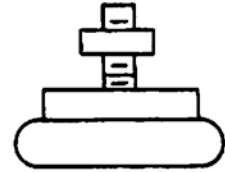
FITS 1-1/8" O.D. SQUARE TUBING
1" I.D.

CG524 ADJUSTABLE HEIGHT
SWIVEL GLIDE STEEL BASE



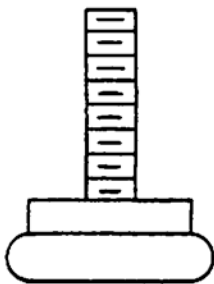
FITS 5/8" O.D. TUBING
1-1/4" BASE

CG525 8/32 MACHINE SCREW GLIDE
WITH NUT STEEL BASE



1/2" STEM
1-1/4" BASE

CG526 1/4-20 MACHINE
SCREW GLIDE STEEL BASE



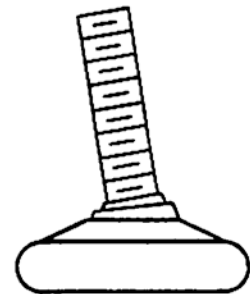
1" STEM
1-1/6" STEEL BASE

ALL GLIDES ARE SHOWN
AT ACTUAL SIZE.

MANY OTHERS
AVAILABLE.

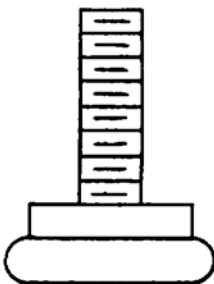
PLEASE SEND US SAMPLE
WHEN IN DOUBT.

CG527 1/4-20 MACHINE
SCREW SWIVEL STEEL BASE



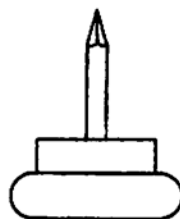
1" STEM
1-1/6" BASE

CG528 5/16-18 MACHINE
SCREW GLIDE STEEL BASE



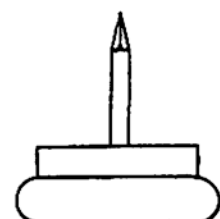
1" STEM
1-1/6" BASE

CG529 NAIL GLIDE
STEEL BASE



7/8" BASE
IN LOTS OF 100

CG530 NAIL GLIDE
STEEL BASE



1-1/16" BASE
IN LOTS OF 100

J. SALLESE & SONS, INC.

5 Crescent Ave., Unit 12 • Walnut Hill Park • Woburn, MA 01801

Ph: 781-246-3508 • Fx: 781-246-2402 • Email: Jsallese@Jsallese.com • Website: www.Jsallese.com

METAL PARTITION BODY PARTS

PILASTERS

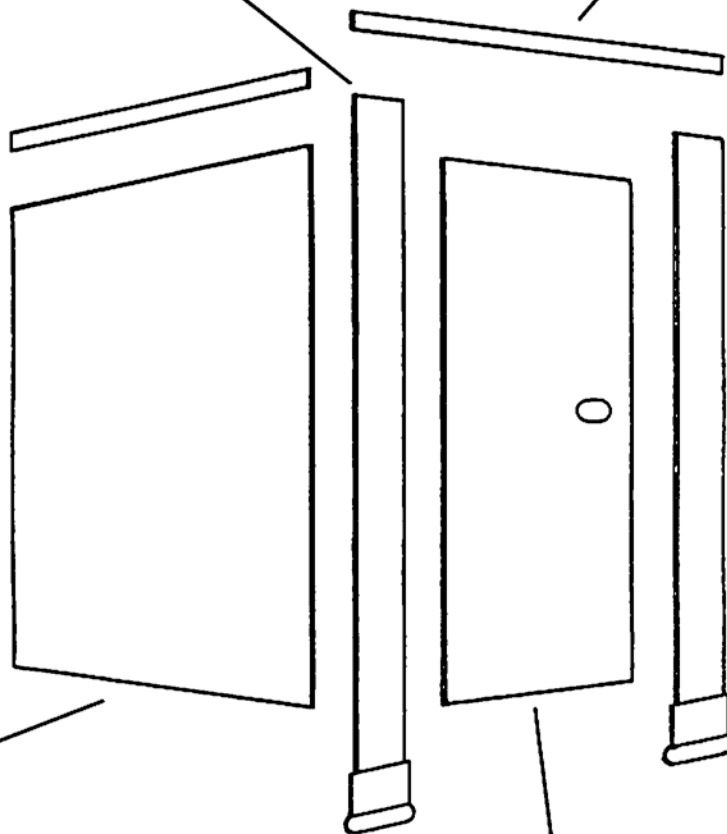
ALL PILASTERS ARE 1-1/4" THICK

| | |
|--------|---------------|
| TU382 | 3" X 81-1/2" |
| TU482 | 4" X 81-1/2" |
| TU582 | 5" X 81-1/2" |
| TU682 | 6" X 81-1/2" |
| TU782 | 7" X 81-1/2" |
| TU882 | 8" X 81-1/2" |
| TU982 | 9" X 81-1/2" |
| TU1082 | 10" X 81-1/2" |
| TU1282 | 12" X 81-1/2" |
| TU1482 | 14" X 81-1/2" |
| TU1882 | 18" X 81-1/2" |
| TU2382 | 23" X 81-1/2" |

ALUMINUM HEADRAIL

| | |
|-------|---------------|
| TH60 | 60" HEADRAIL |
| TH74 | 74" HEADRAIL |
| TH120 | 120" HEADRAIL |

ALL DOORS ARE 1" THICK



STANDARD STOCK
COLOR IS
ALMOND
OTHER COLORS
AVAILABLE
ON REQUEST

PANELS

| | |
|--------|---------------|
| TP2458 | 24" X 57-1/2" |
| TP2858 | 28" X 57-1/2" |
| TP3458 | 34" X 57-1/2" |
| TP4058 | 40" X 57-1/2" |
| TP4658 | 46" X 57-1/2" |
| TP5258 | 52" X 57-1/2" |
| TP5558 | 55" X 57-1/2" |
| TP5858 | 58" X 57-1/2" |
| TP6058 | 60" X 57-1/2" |
| TP6458 | 64" X 57-1/2" |
| TP7058 | 70" X 57-1/2" |
| TP7658 | 76" X 57-1/2" |

ALL PANELS ARE 1" THICK

DOORS

| | |
|--------|---------------|
| TD2358 | 23" X 57-1/2" |
| TD2458 | 24" X 57-1/2" |
| TD2658 | 26" X 57-1/2" |
| TD3258 | 32" X 57-1/2" |
| TD3458 | 34" X 57-1/2" |
| TD3658 | 36" X 57-1/2" |

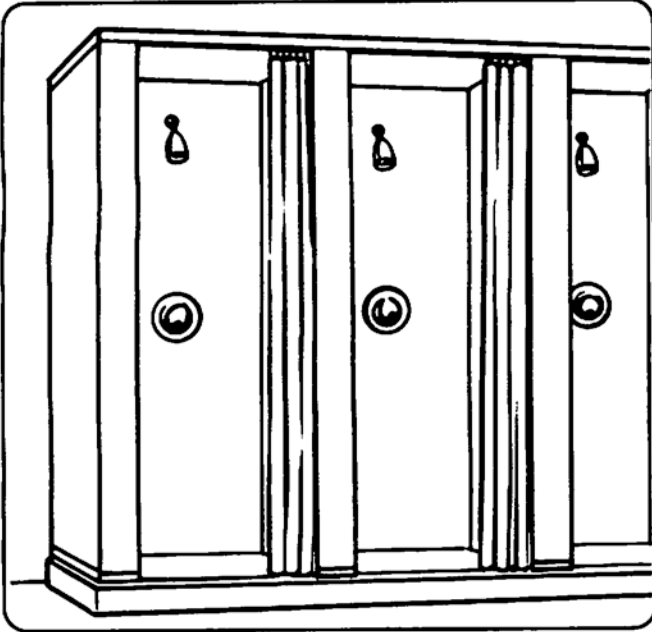
ALL DOORS ARE 1" THICK

J. SALLESE & SONS, INC.

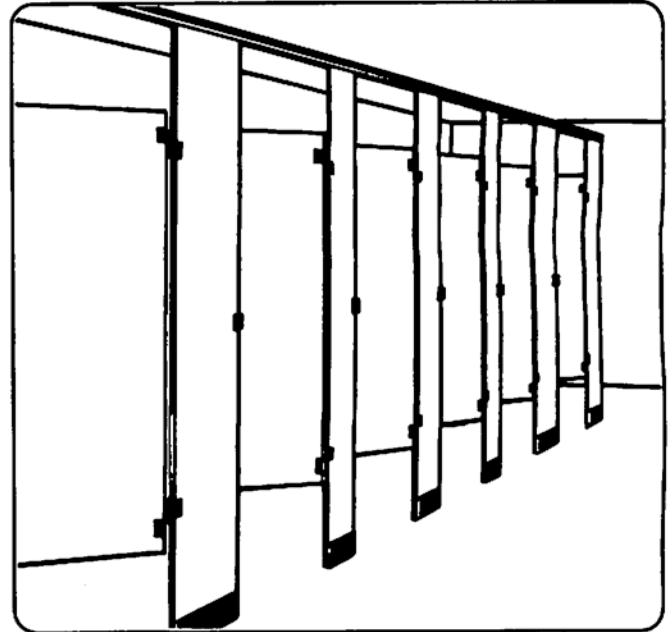
5 Crescent Ave., Unit 12 • Walnut Hill Park • Woburn, MA 01801

Ph: 781-246-3508 • Fx: 781-246-2402 • Email: Jsallese@Jsallese.com • Website: www.Jsallese.com

SOLID PLASTIC UNBREAKABLE RUST PROOF

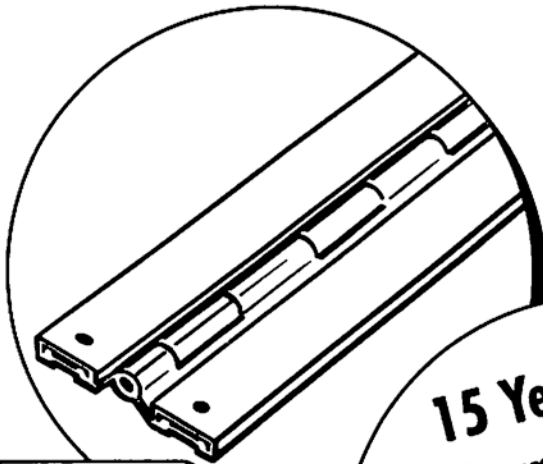


SHOWERS



PARTITIONS

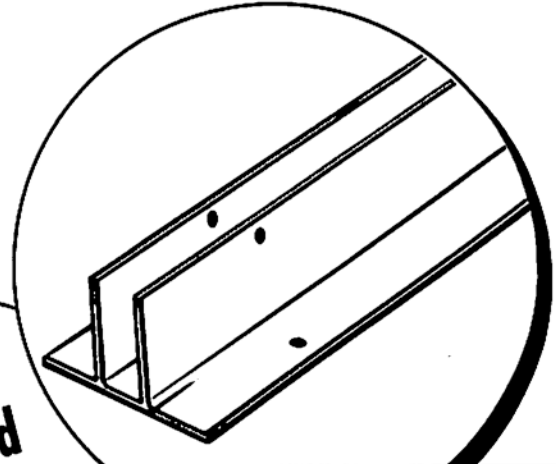
TOILET & SHOWER PARTITIONS



**SUPER
HEAVY
DUTY
HINGE**

**15 Year
Guaranteed
Against**

- Breakage
- Delamination
- Rusting



**CONTINUOUS
WALL
BRACKETS**

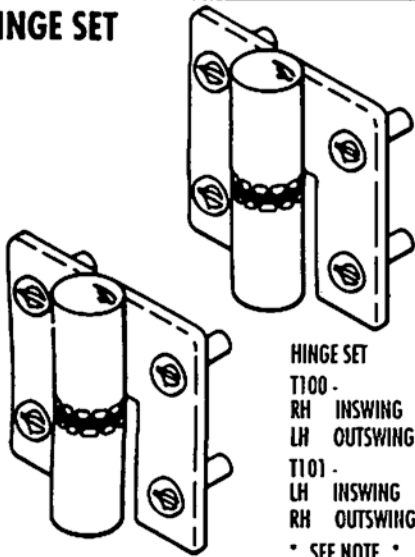
Now Available - Completely Installed

J. SALLESE & SONS, INC.

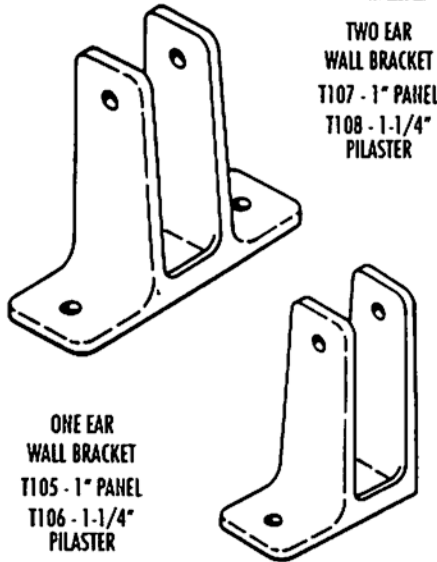
5 Crescent Ave., Unit 12 • Walnut Hill Park • Woburn, MA 01801
Ph: 781-246-3508 • Fx: 781-246-2402 • Email: Jsallese@Jsallese.com • Website: www.Jsallese.com

TOILET PARTITION HARDWARE

HINGE SET

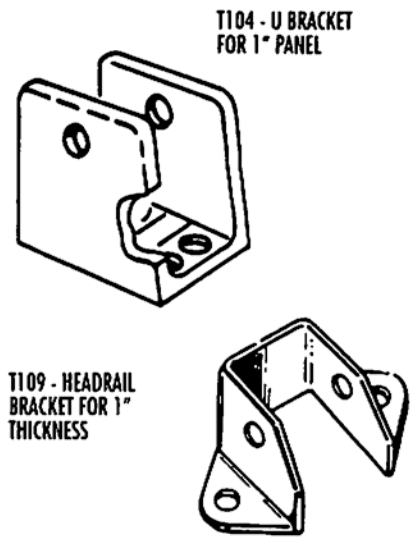


HINGE SET
 T100 - RH INSWING
 LH OUTSWING
 T101 - LH INSWING
 RH OUTSWING
 * SEE NOTE *



TWO EAR WALL BRACKET
 T107 - 1" PANEL
 T108 - 1-1/4" PILASTER

ONE EAR WALL BRACKET
 T105 - 1" PANEL
 T106 - 1-1/4" PILASTER



T104 - U BRACKET FOR 1" PANEL

T109 - HEADRAIL BRACKET FOR 1" THICKNESS

* NOTE *

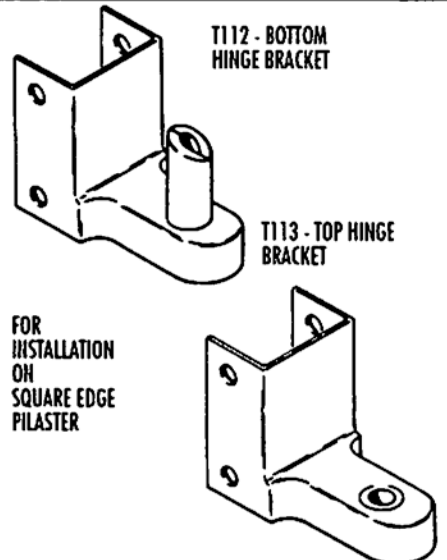
Handedness is determined from outside of the stall.

RIGHT HAND DOOR HINGES ON RH SIDE

LEFT HAND DOOR HINGES ON LH SIDE

Specify INSWING or OUTSWING

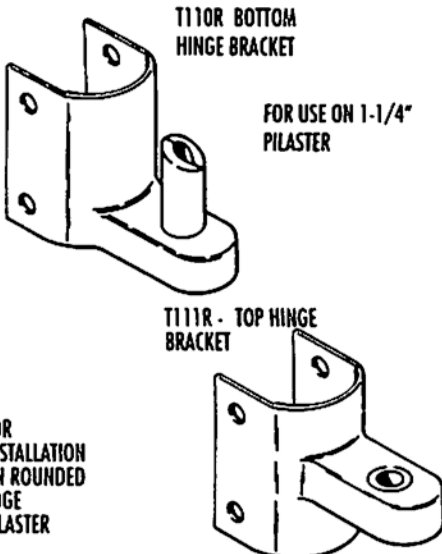
Set includes top hinge, bottom hinge, and all necessary screws to install one door.



T112 - BOTTOM HINGE BRACKET

T113 - TOP HINGE BRACKET

FOR INSTALLATION ON SQUARE EDGE PILASTER

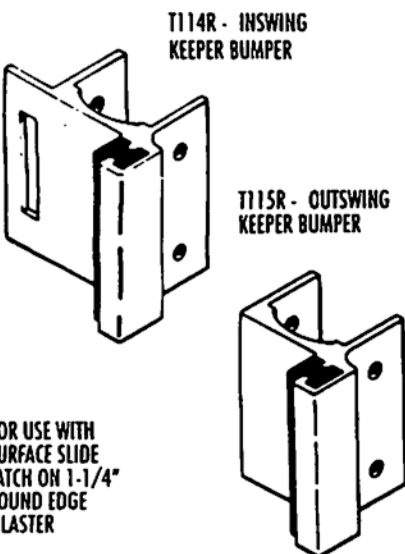


T110R BOTTOM HINGE BRACKET

FOR USE ON 1-1/4" PILASTER

T111R - TOP HINGE BRACKET

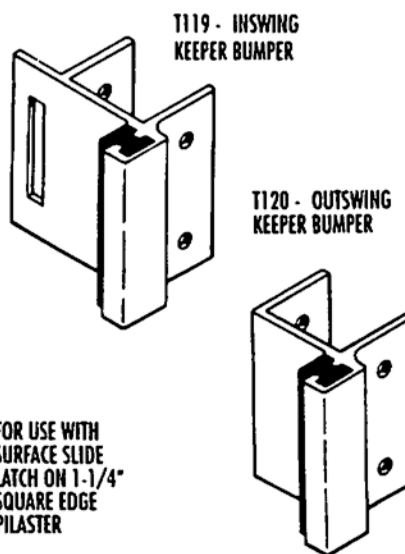
FOR INSTALLATION ON ROUNDED EDGE PILASTER



T114R - INSWING KEEPER BUMPER

T115R - OUTSWING KEEPER BUMPER

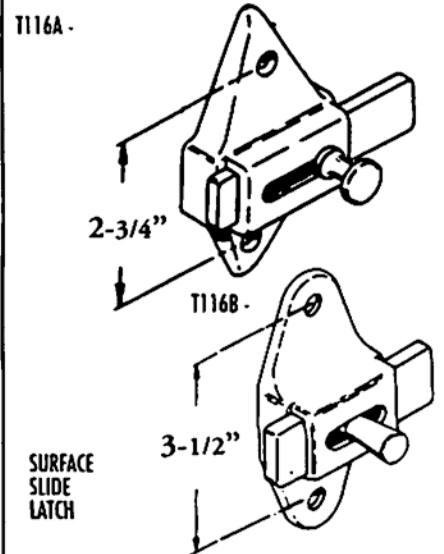
FOR USE WITH SURFACE SLIDE LATCH ON 1-1/4" ROUND EDGE PILASTER



T119 - INSWING KEEPER BUMPER

T120 - OUTSWING KEEPER BUMPER

FOR USE WITH SURFACE SLIDE LATCH ON 1-1/4" SQUARE EDGE PILASTER



T116A -

T116B -

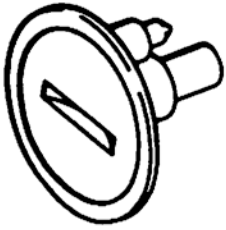
SURFACE SLIDE LATCH

J. SALLESE & SONS, INC.

5 Crescent Ave., Unit 12 • Walnut Hill Park • Woburn, MA 01801

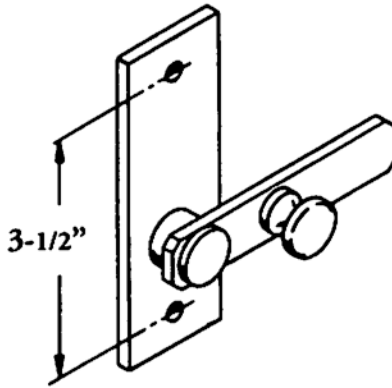
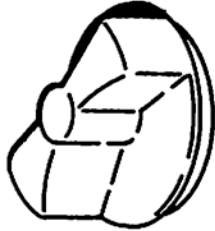
Ph: 781-246-3508 • Fx: 781-246-2402 • Email: jsallese@jsallese.com • Website: www.jsallese.com

TOILET PARTITION HARDWARE

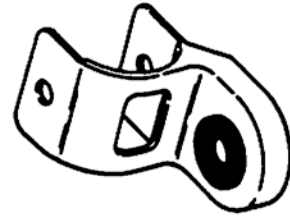


USE WITH
T124 LOCK

T122AB
MALE/FEMALE LATCH COVER SET



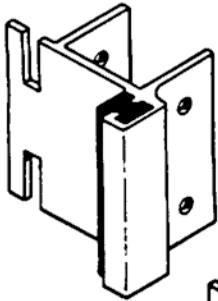
T118 - THROW LATCH
FOR USE WITH T121
AND T117R



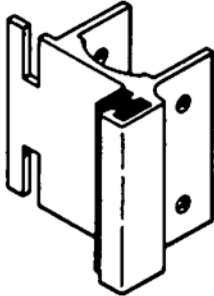
T125 - KEEPER
BUMPER FOR
CONCEALED
LATCH WITH
ROUND BAR
ON 1-1/4"
PILASTER



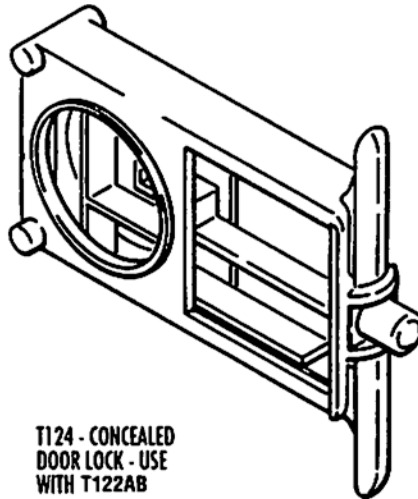
T126 - KEEPER
BUMPER FOR
CONCEALED
LATCH WITH
RECTANGULAR
BAR ON 1-1/4"
PILASTER



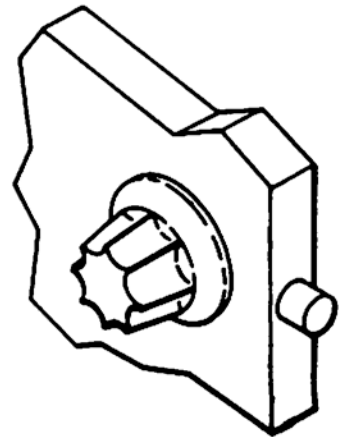
T121 - KEEPER
BUMPER FOR
INSWING. USE
WITH THROW
LATCH ON 1-1/4"
SQUARE EDGE
PILASTER



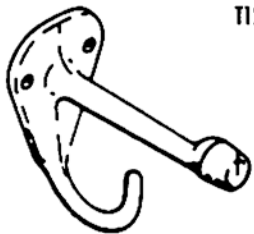
T117R - KEEPER
BUMPER FOR
INSWING. USE
WITH THROW
LATCH ON 1-1/4"
PILASTER



T124 - CONCEALED
DOOR LOCK - USE
WITH T122AB



T146 -
CONCEALED LATCH



T127 - BUMPER HOOK

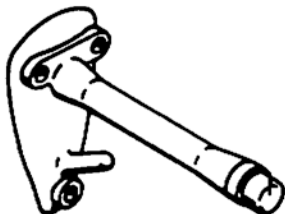


T129 - TWO PRONG HOOK



T131 - DOOR STOP

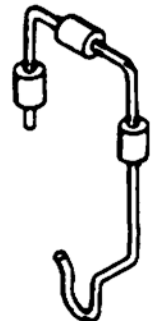
T128 - BUMPER HOOK



T130 - SINGLE PRONG
ROBE HOOK



T132 - CURTAIN HANGER
6 PER PAK

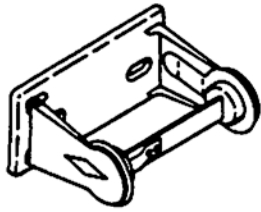


J. SALLESE & SONS, INC.

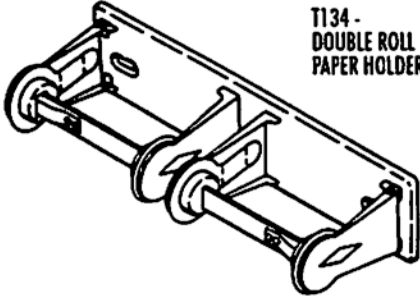
5 Crescent Ave., Unit 12 • Walnut Hill Park • Woburn, MA 01801

Ph: 781-246-3508 • Fx: 781-246-2402 • Email: Jsallese@Jsallese.com • Website: www.Jsallese.com

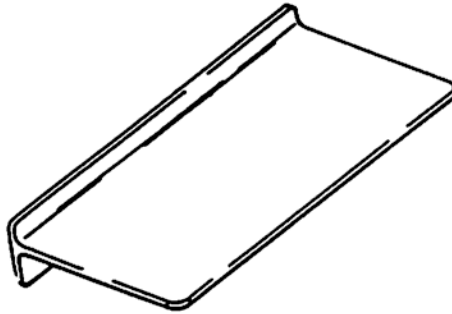
TOILET PARTITION HARDWARE



T133 -
SINGLE ROLL
PAPER HOLDER



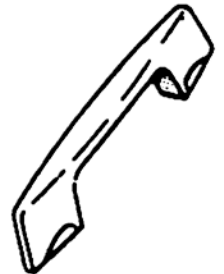
T134 -
DOUBLE ROLL
PAPER HOLDER



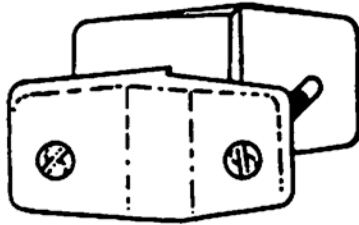
T135 - PURSE SHELF
6" X 8" WIDE
T136 - PURSE SHELF
6" X 12" WIDE



T138 - DOOR PULL
3-1/2" BET. SCREWS



T138 - DOOR PULL
2-3/4" BET. SCREWS

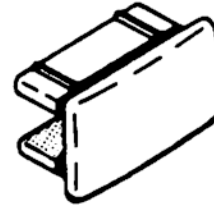


T140 - ALCOVE CLIP
USED TO JOIN PANEL TO
PILASTER EDGE TO EDGE.
4 REQUIRED PER PANEL.

MANY OTHER PARTS
AVAILABLE.

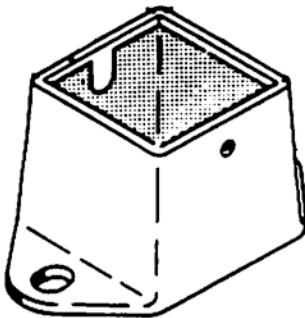
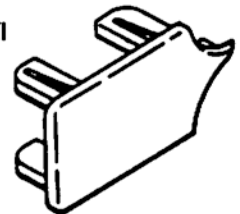
PLEASE SEND US
SAMPLE WHEN IN DOUBT.

SAMPLE WILL BE RETURNED
WITH YOUR ORDER.



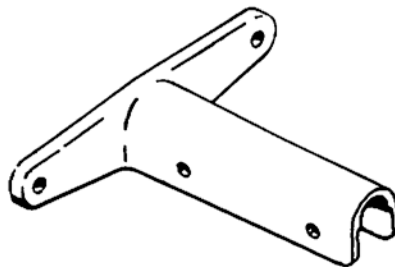
T141 - END PLUG
FOR 1-1/2" X 1" RECT
TUBING

T142 - END PLUG
FOR 1-1/2" X 1" ANTI
GRIP TUBING

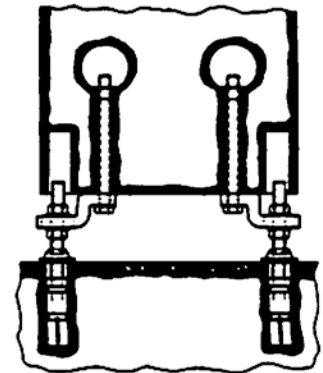


T143 - FLOOR SHOE
FOR 1-3/4" X 1-3/4" POST

T145A - URINAL SCREEN BRACKET
12" LONG FOR 1" PANEL



T145 - URINAL SCREEN BRACKET
6" LONG FOR 1-1/4" PANEL



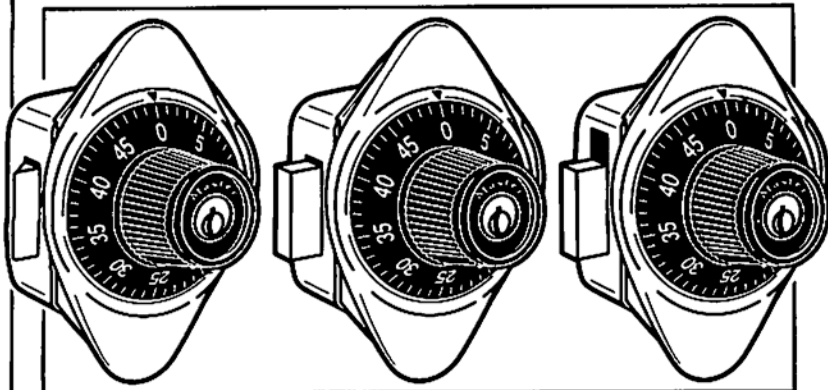
T147 - PILASTER ANCHOR PAK
INCLUDES ALL NECESSARY
SCREWS, NUTS, AND ANCHORS

J. SALLESE & SONS, INC.

5 Crescent Ave., Unit 12 • Walnut Hill Park • Woburn, MA 01801

Ph: 781-246-3508 • Fx: 781-246-2402 • Email: jsallese@jsallese.com • Website: www.jsallese.com

Master Lock®



#1654

#1670

#1630

AUTOMATIC-LOCKING SPRINGBOLT: for box lockers; spring latch locks automatically; bolt moves horizontally

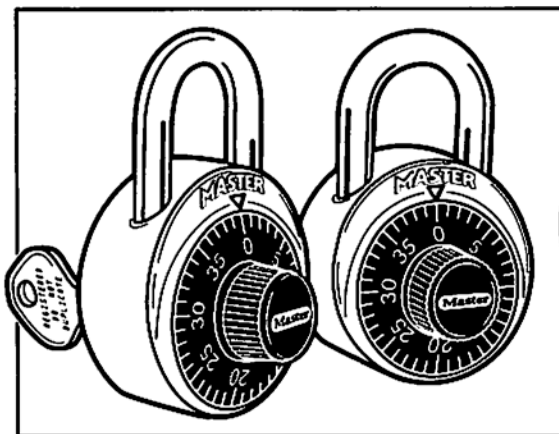
| | |
|-----------|--------------------------|
| No. 1654 | For right-hinged doors |
| No. 1655 | For left-hinged doors |
| No. 1654K | Master Key for 1654/1655 |

MANUAL-LOCKING DEADBOLT: for extra resistance to vandalism; fits expanded metal lockers, full length lockers, and box lockers; locking bolt moves horizontally

| | |
|-----------|--------------------------|
| No. 1670 | For right-hinged doors |
| No. 1671 | For left-hinged doors |
| No. 1670K | Master Key for 1670/1671 |

AUTOMATIC-LOCKING BOLT: for lockers with handles and automatic locking rods; locking bolt moves vertically

| | |
|-----------|--------------------------|
| No. 1630 | For right-hinged doors |
| No. 1631 | For left-hinged doors |
| No. 1630K | Master Key for 1630/1631 |

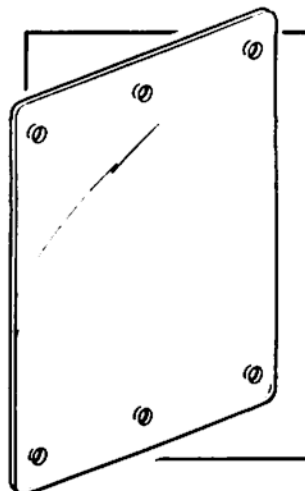


#1525

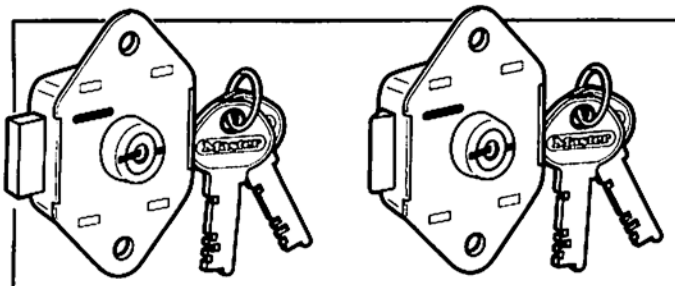
#1502

#1525 Key Controlled Combination Padlock
 #1525K Master Key for #1525
 #1502 Combination Padlock

Colored Dials available for combination padlocks at slight additional charge. Choice of Red, Blue, Green, Gold or Gray.



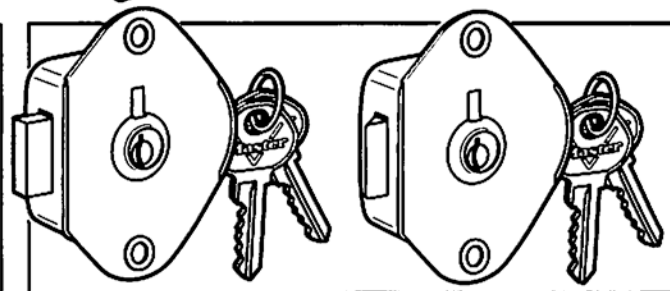
#V814 Paint Protector
 3" x 4" Strike Plate
 Paint Protector for use under shackle padlocks



#1718 - FLAT KEY, DEAD-BOLT LOCK - MASTER KEYED

#1719 - FLAT KEY, SPRING-BOLT LOCK - MASTER KEYED

FLAT KEY LOCKS - have lever tumbler for nuisance protection. Supplied with (2) keys per lock. Order Master Keys separately.



#1710MK - GROOVED KEY

#1714MK - GROOVED KEY

DEADBOLT LOCK - MASTER KEYED SPRINGBOLT LOCK - MASTER KEYED
 GROOVED KEY LOCKS have 5 Pin Tumbler security. Supplied with (2) Keys per lock. Order Master Keys separately.

J. SALLESE & SONS, INC.

5 Crescent Ave., Unit 12 • Walnut Hill Park • Woburn, MA 01801
 Ph: 781-246-3508 • Fx: 781-246-2402 • Email: Jsallese@Jsallese.com • Website: www.Jsallese.com

Lockers from J. Sallese

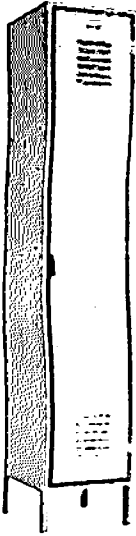
Vanguard™ Lockers

The standard for business & institutional use.

The Vanguard locker is the backbone upon which our entire line is built. Our patented Vanguard handle is standard on all single, double, and 2 person lockers. Multiple Tier box lockers (5 & 6 tier) have a friction catch door pull handle with padlock hasp.

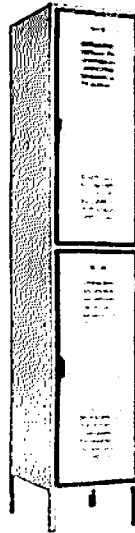
Most items on this page are available for quick shipment in 028 Gray and 012 Tan. Lockers are shipped K.D. with all hardware and assembly instructions. Assembly and/or installation also available.

Interiors: Coat hooks supplied with 1 and 2 tier, plus 2 person. 1 tier has hat shelf and a coat rod when depth is 18" or more. Aluminum number plate included with all lockers.



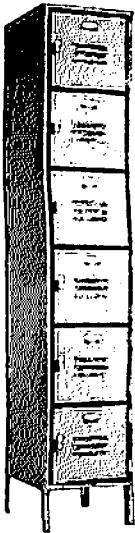
Single Tier

The most popular and widely used locker offers maximum space for full hanging clothing and other belongings.



Double Tier

Accommodates twice as many people as single-tier lockers in the same floor space, while still providing enough room for light outer wear and personal belongings.

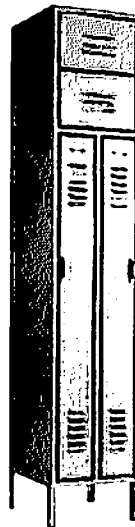


Multi Tier - 5 & 6

Also known as "box lockers". They allow numerous users in the smallest amount of floor space. Available in 5 and 6 tier configurations. Ideal for storage of athletic gear or employee personal storage.

Two Person

Provides ample room for two people while occupying about the same space as a single tier locker. Full width book compartment doors at top are operated by manual latching mechanisms inside the bottom doors. Coat rods are included.

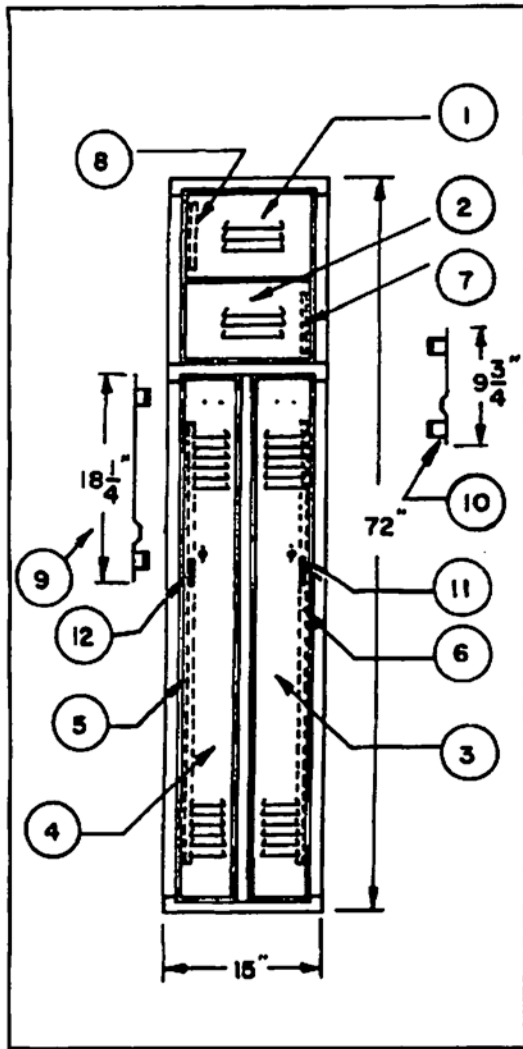


Many other models & sizes available.

| | Width | Depth | Nominal Opening Height | Cat. No. |
|-------------------------|-------|-------|------------------------|----------|
| SINGLE TIER (1T) | | | | |
| | 12" | 12" | 60" | 68001 |
| | 12" | 15" | 60" | 68011 |
| | 12" | 18" | 60" | 68021 |
| 1 WIDE | | | | |
| | 12" | 12" | 72" | 68051 |
| | 12" | 15" | 72" | 68061 |
| | 12" | 18" | 72" | 68071 |
| | 15" | 18" | 72" | 68091 |
| | 18" | 18" | 72" | 68101 |
| 3 WIDE | | | | |
| | 12" | 12" | 60" | 68003 |
| | 12" | 15" | 60" | 68013 |
| | 12" | 18" | 60" | 68023 |
| 3 WIDE | | | | |
| | 12" | 12" | 72" | 68053 |
| | 12" | 15" | 72" | 68063 |
| | 12" | 18" | 72" | 68073 |
| | 15" | 18" | 72" | 68093 |
| | 18" | 18" | 72" | 68103 |
| DOUBLE TIER (2T) | | | | |
| 1 WIDE | | | | |
| | 12" | 12" | 30" | 68111 |
| | 12" | 12" | 36" | 68121 |
| | 12" | 15" | 36" | 68131 |
| | 12" | 18" | 36" | 68141 |
| | 15" | 15" | 36" | 68151 |
| 3 WIDE | | | | |
| | 12" | 12" | 30" | 68113 |
| | 12" | 12" | 36" | 68123 |
| | 12" | 15" | 36" | 68133 |
| | 12" | 18" | 36" | 68143 |
| | 15" | 15" | 36" | 68153 |
| FIVE TIER (5T) | | | | |
| 1 WIDE | | | | |
| | 12" | 12" | 12" | 68161 |
| | 12" | 15" | 12" | 68171 |
| | 15" | 15" | 12" | 68181 |
| 3 WIDE | | | | |
| | 12" | 12" | 12" | 68163 |
| | 12" | 15" | 12" | 68173 |
| | 15" | 15" | 12" | 68183 |
| SIX TIER (6T) | | | | |
| 1 WIDE | | | | |
| | 12" | 12" | 12" | 68191 |
| | 12" | 15" | 12" | 68201 |
| | 12" | 18" | 12" | 68211 |
| 3 WIDE | | | | |
| | 12" | 12" | 12" | 68193 |
| | 12" | 15" | 12" | 68203 |
| | 12" | 18" | 12" | 68213 |
| TWO PERSON (2P) | | | | |
| 1 WIDE | | | | |
| | 15" | 18" | 10/52" | 68251 |
| 3 WIDE | | | | |
| | 15" | 18" | 10/52" | 68253 |

FOR SAFETY PURPOSES WE RECOMMEND LOCKERS BE FLOOR OR WALL ANCHORED

TWO-PERSON LOCKER PARTS

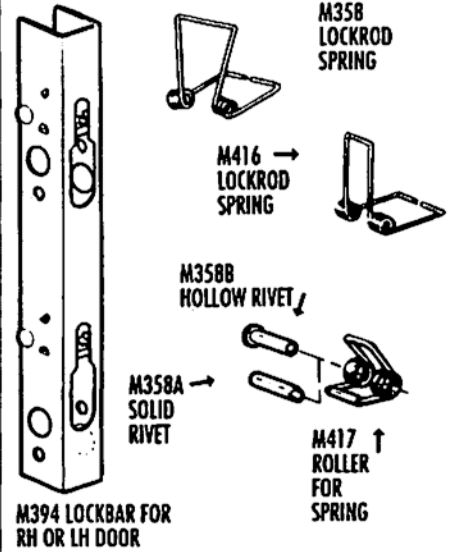


- 1 - Book Compartment Door - RH
- 2 - Book Compartment Door - LH
- 3 - Coat Compartment Door - RH
- 4 - Coat Compartment Door - LH
- 5 - Coat Compartment Lockbar - RH
- 6 - Coat Compartment Lockbar - LH
- 7 - Book Compartment Lockbar - LH
- 8 - Book Compartment Lockbar - RH
- 9 - Latchbar Assembly - Long
- 10 - Latchbar Assembly - Short
- 11 - Handle - LH
- 12 - Handle - RH

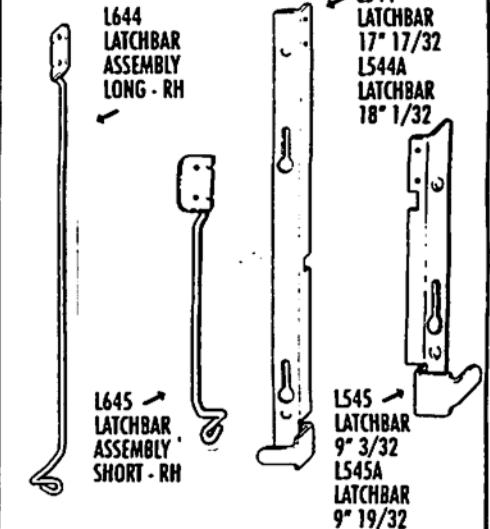
PLEASE CALL FOR ASSISTANCE WHEN ORDERING TWO-PERSON LOCKER PARTS.

SAMPLES: MAY BE REQUIRED FOR POSITIVE IDENTIFICATION.

MEDART

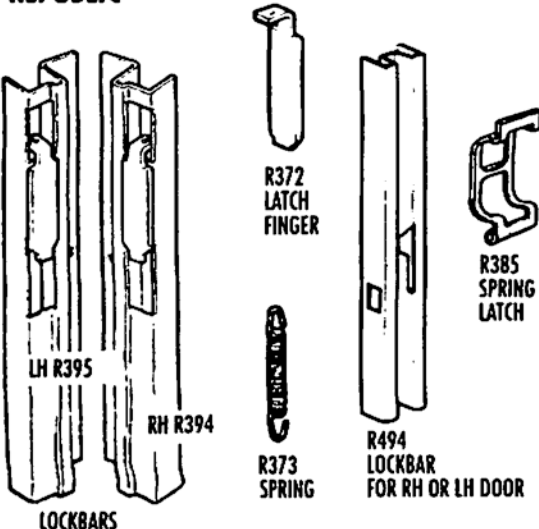


LYON

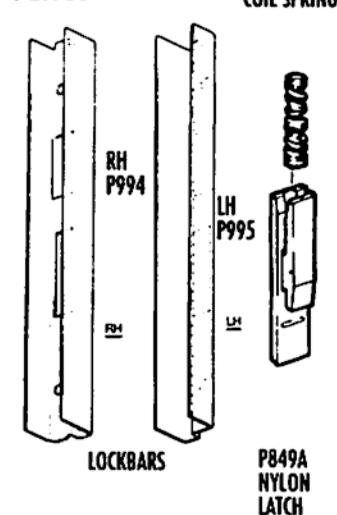


BOOK COMPARTMENT PARTS

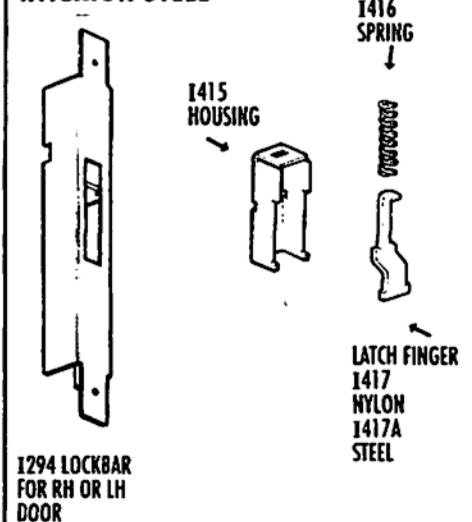
REPUBLIC



PENCO



INTERIOR STEEL

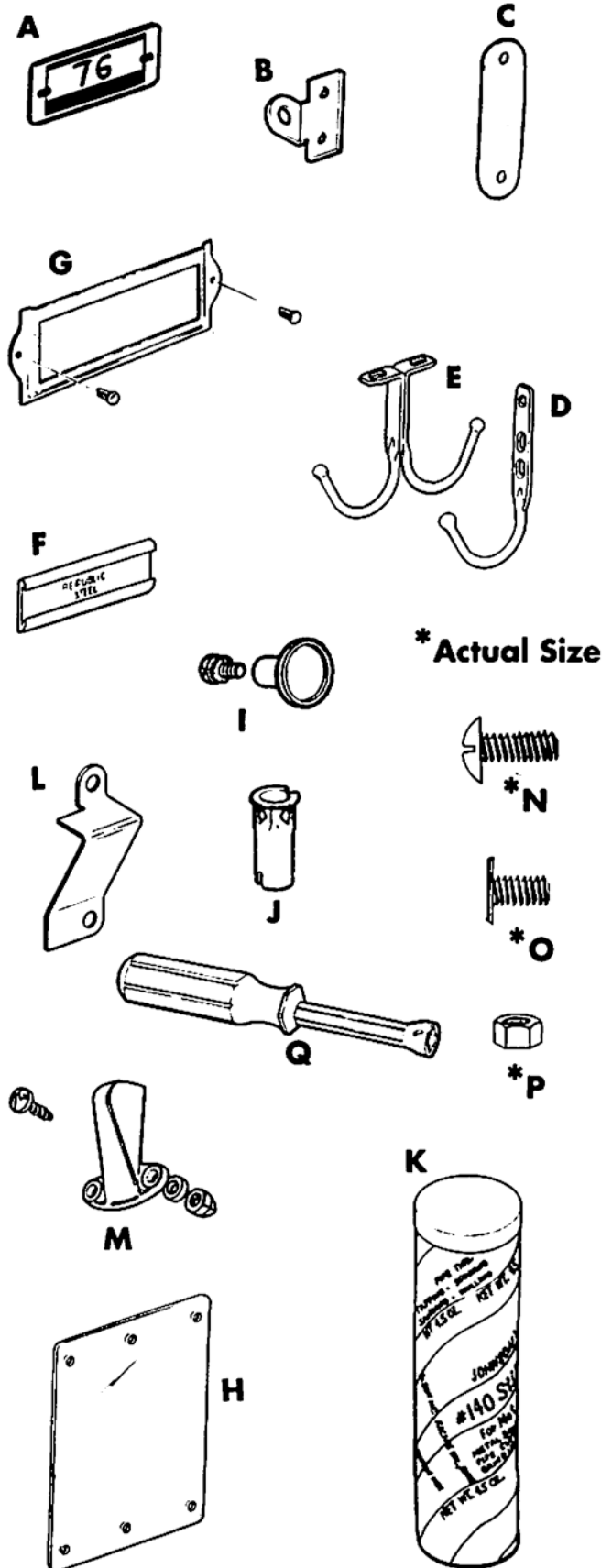


J. SALLESE & SONS, INC.

5 Crescent Ave., Unit 12 • Walnut Hill Park • Woburn, MA 01801
 Ph: 781-246-3508 • Fx: 781-246-2402 • Email: Jsallese@Jsallese.com • Website: www.Jsallese.com

UNIVERSAL PARTS AND SUPPLIES

- A. #G800
J.S. Universal Number Plate
- B. #G700B
Universal Padlock Staple
- C. #G503
Lock Hole Filler
- D. #V100
Universal Single Prong Side Hook
- E. #V200
Universal Double Prong Ceiling Hook
- F. #V813
Magnetic Card Holder
- G. #V900
Brass Card Holder
- H. #V814
Paint Protector
- I. #G711
Knob with screw
- J. #R391
Retaining Pin
- K. #V901
Locker Lube Stick
- L. #V902
Stamped Kick Guard
- M. #V903
HAND -L-GUARD Kick Guard
- N. #G344
Locker Bolt
- O. #G342
Locker Bolt
- P. #G343
Locker Nut
- Q. #G501
Locker Nut Tool



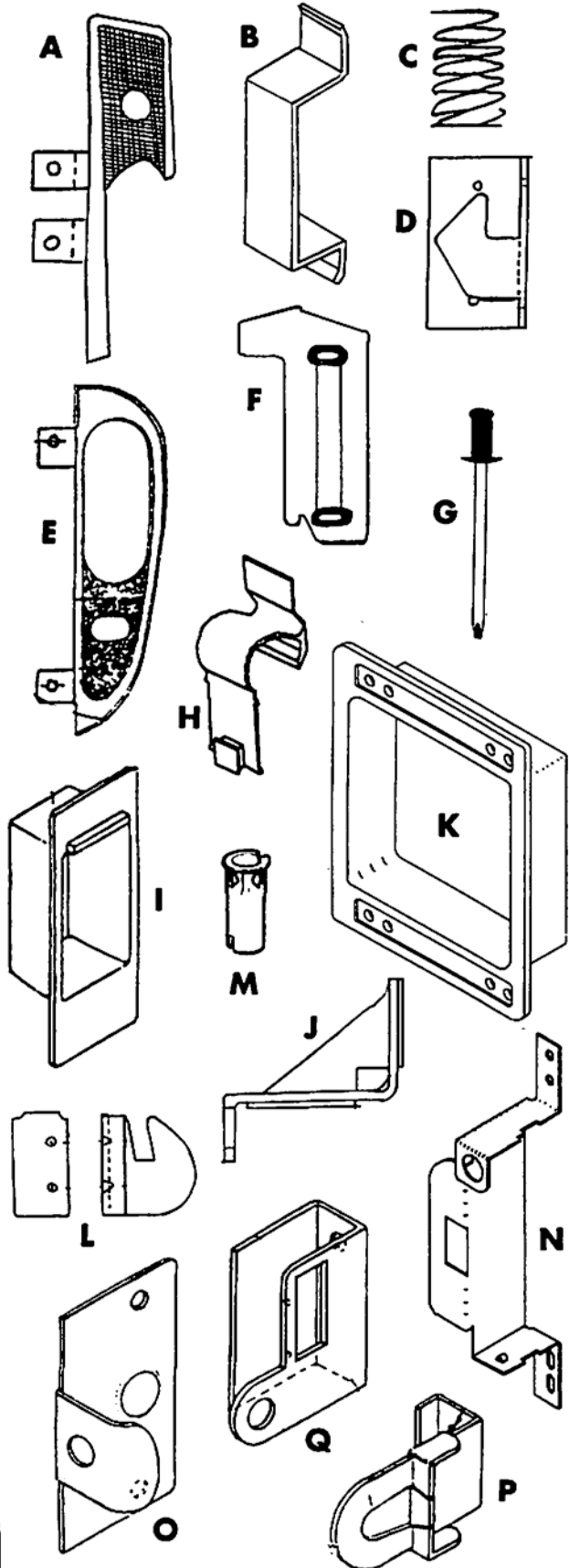
* Actual Size

J. SALLESE & SONS, INC.

5 Crescent Ave., Unit 12 • Walnut Hill Park • Woburn, MA 01801

Ph: 781-246-3508 • Fx: 781-246-2402 • Email: Jsallese@Jsallese.com • Website: www.Jsallese.com

WILSON PARTS AND SUPPLIES



- A. #W153
Locker Handle
- B. #W154
Steel Latch
- C. #W156
Latch Spring
- D. #W151 (R.H.) / #W151A (L.H.)
Door Jamb
- E. #W3F
Locker Handle
- F. #W155
Padlock Stop
- G. #W158P
Pop Rivet
- H. #W157
Plastic Latch
- I. #W161
Finger Lift
(obsolete-replaced by N)
- J. #W178
Padlock Receiver
(obsolete-replaced by N)
- K. #W158
Steel Recessed Handle (previously plastic)
- L. #W152 (R.H.) / #W152A (L.H.)
Door Jamb
- M. #W159
Retaining Pin
- N. #W179
Padlock Receiver
- O. #W143
Box Locker Door Pull
- P. #W202
Box Locker Padlock Staple
- Q. #W107
Box Locker Padlock Staple

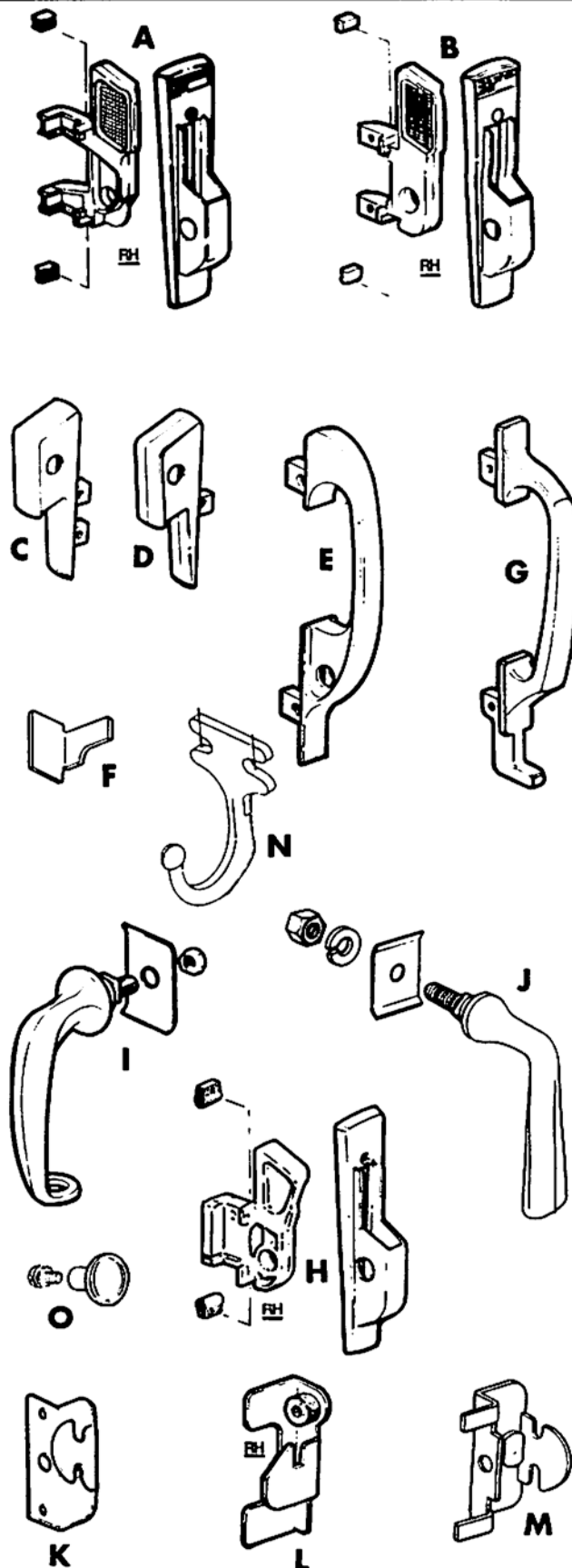
Wilson Door & Frame and Body Parts are available -- please see us for these. Replacement Lock Bars are also available.

J. SALLESE & SONS, INC.

5 Crescent Ave., Unit 12 • Walnut Hill Park • Woburn, MA 01801
Ph: 781-246-3508 • Fx: 781-246-2402 • Email: Jsallese@Jsallese.com • Website: www.Jsallese.com

REPUBLIC PARTS AND SUPPLIES

- A. #R376 (R.H.) / #R377 (L.H.)
Locker Handle
#R376L (R.H.) / #R377L (L.H.)
Handle Lift ONLY
#R376C
Handle Case ONLY
- B. #R374 (R.H.) / R375 (L.H.)
Locker Handle
#R374L (R.H.) / R375L (L.H.)
Handle Lift ONLY
#R374C
Handle Case Only
- C. #R398
Locker Handle
- D. #R397
Locker Handle
- E. #R378
Locker Handle
- F. #R329
Padlock Stop
- G. #R371
Locker Handle
- H. #R330 (R.H.) / # R331 (L.H.)
Low Decibel Locker Handle
#R330L (R.H.) / # R331L (L.H.)
Handle Lift ONLY
#R330C
Handle Case ONLY
- I. #R380
Expanded Metal Locker Handle
- J. #R332
Handle for Shelving Doors
- K. #R386
Frame Hook
- L. #R392 (R.H.) / #R393 (L.H.)
Frame Hook
- M. #R307
Frame Hook
- N. #R384
Wall Hook
- O. #R387
Book Door Knob with Screw

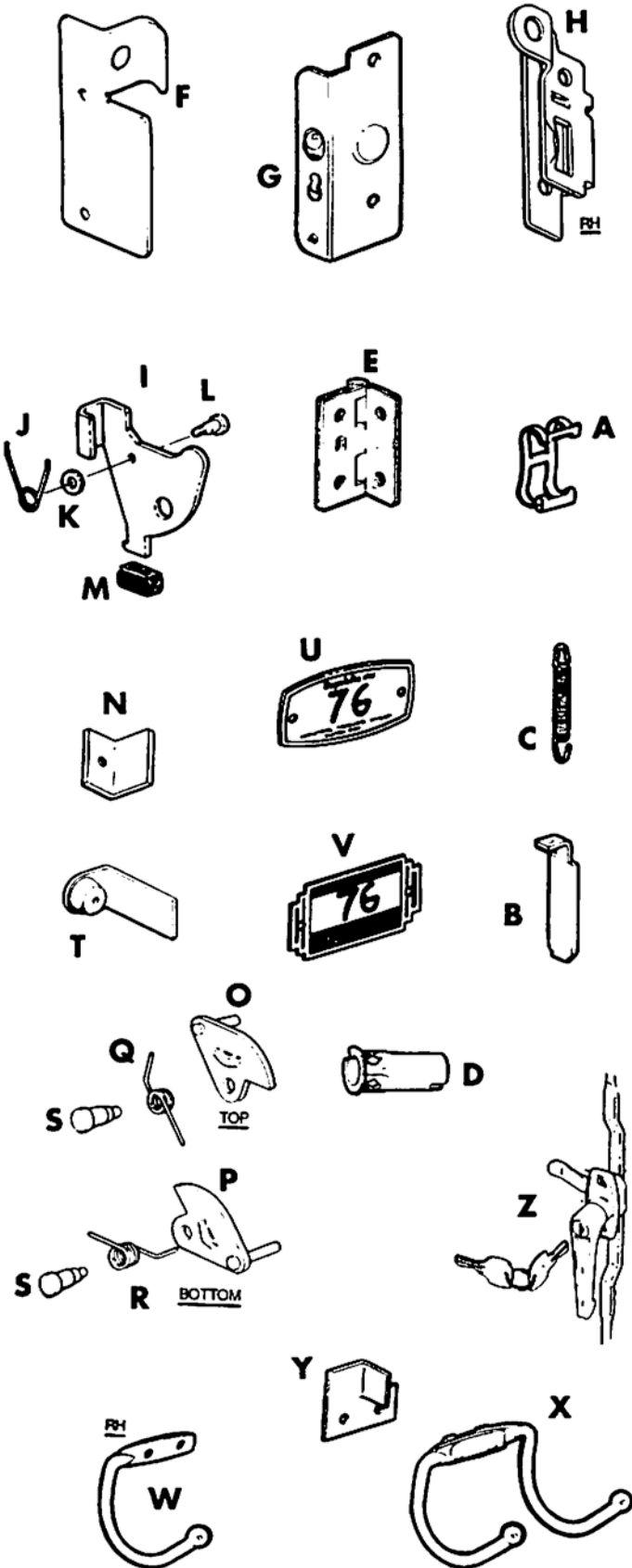


J. SALLESE & SONS, INC.

5 Crescent Ave., Unit 12 • Walnut Hill Park • Woburn, MA 01801

Ph: 781-246-3508 • Fx: 781-246-2402 • Email: Jsallese@Jsallese.com • Website: www.Jsallese.com

REPUBLIC PARTS AND SUPPLIES



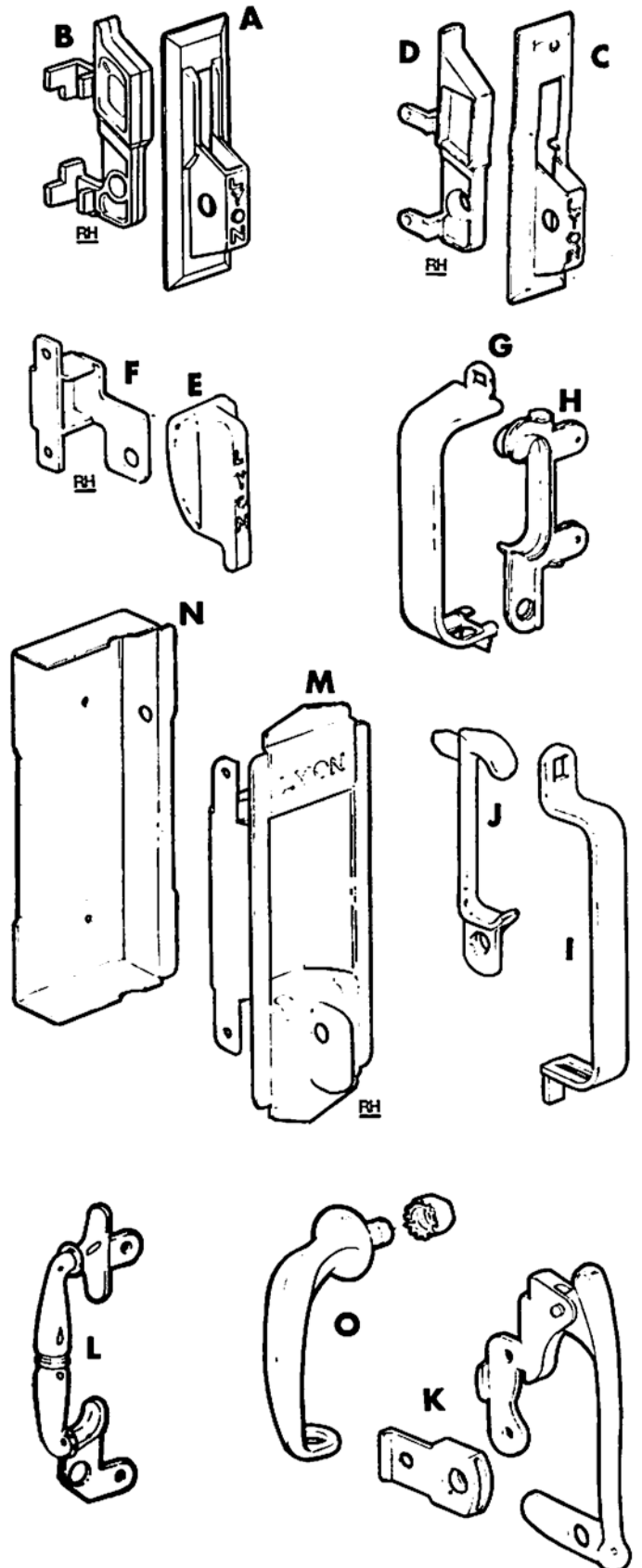
- A. #R385
Spring Latch for Lock Bar
- B. #R372
Lock Bar Latch Finger
- C. #R373
Lock Bar Latch Finger Spring
- D. #R391
Tube Rivet for Lock Bar
- E. #R400
Hinge
- F. #R389
Box Locker Escutcheon Plate
- G. #R305
Box Locker Friction Catch
- H. #R304
Box Locker Frame Hook
- I. #R379
1-Point Latch Handle
- J. #R379B
1-Point Latch Spring
- K. #R379E
1-Point Latch Washer
- L. #R379A
1-Point Latch Stud
- M. #R379F
1-Point Latch Bumper
- N. #R312
1-Point Latch Attachment Bracket
- O. #R316
Top Cam for Double Door Locker
- P. #R317
Bottom Cam for Double Door Locker
- Q. #R318
Top Spring for Double Door Locker
- R. #R315
Bottom Spring for Double Door Locker
- S. #R314
Stud for D.D. Locker
- T. #R313
Frame Bumper for D.D. Locker
- U. #R399
Number Plate (Current Style)
- V. #R319
Number Plate (Old Style)
- W. #R381 (R.H.) / R381A (L.H.)
Single Prong Wall Hook
- X. #R328
Double Prong Wall Hook
- Y. #R327
Coat Rod Bracket for Wall Hook
- Z. #R309
Handle Assembly w/ Lock Rods
for Storage Cabinet

J. SALLESE & SONS, INC.

5 Crescent Ave., Unit 12 • Walnut Hill Park • Woburn, MA 01801
 Ph: 781-246-3508 • Fx: 781-246-2402 • Email: Jsallese@Jsallese.com • Website: www.Jsallese.com

LYON PARTS AND SUPPLIES

- A. #L515
Handle Housing
- B. #L515A (R.H.) / #L515B (L.H.)
Handle Lift
- C. #L484
Handle Housing
- D. #L484A (R.H.) / #L484B (L.H.)
Handle Lift
- E. #L483
Handle Housing
- F. #L483A (R.H.) / #L483B (L.H.)
Handle Lift
- G. #L511
Rolled Edge Handle Guide
- H. #L511A
Rolled Edge Handle Lift
- I. #L486
Flat Strap Handle Guide
- J. #L486A
Flat Strap Handle Lift
- K. #L531
3-Piece Cast Brass Handle
- L. #L532
Durand No. 6 Handle
- M. #L481
Sheet Metal Handle
- N. #L481A
Cover Plate for S.M. Handle
- O. #L490
Expanded Metal Locker Handle



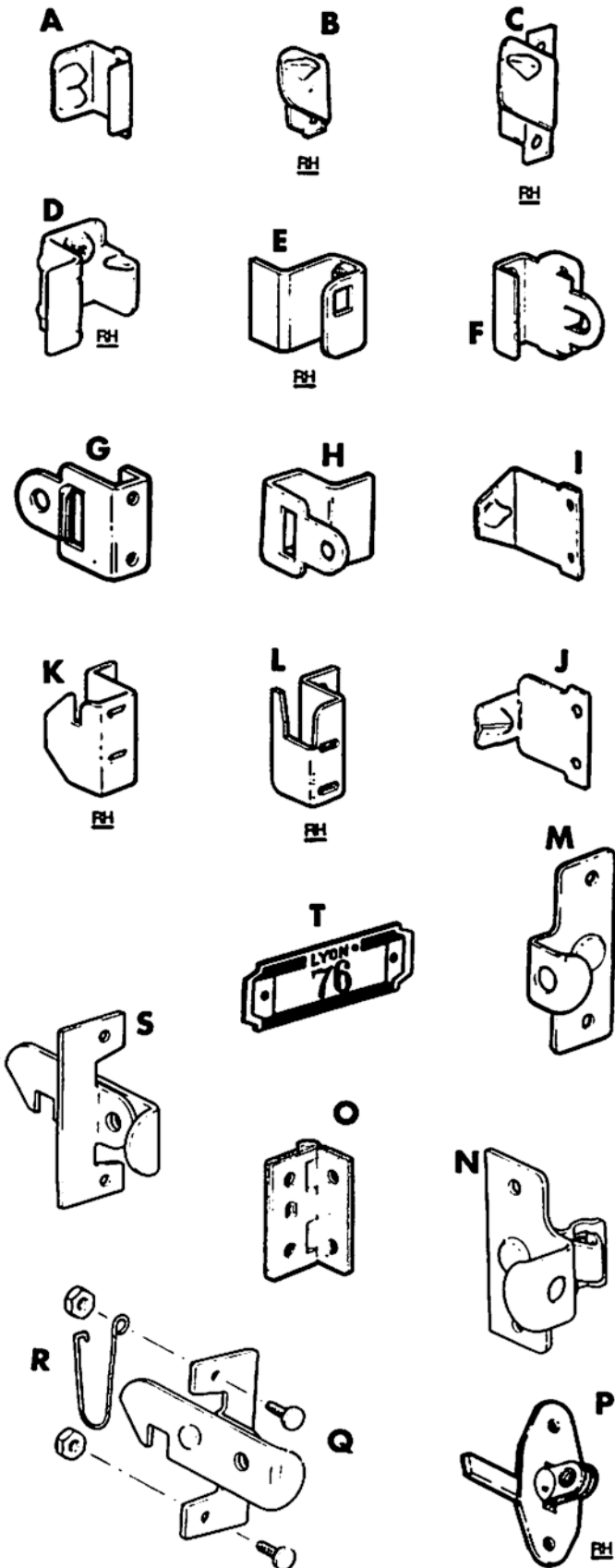
LYON Door & Frame and Body Parts are available - please see us for these. Replacement Lock Bars are also available.

J. SALLESE & SONS, INC.

5 Crescent Ave., Unit 12 • Walnut Hill Park • Woburn, MA 01801

Ph: 781-246-3508 • Fx: 781-246-2402 • Email: Jsallese@Jsallese.com • Website: www.Jsallese.com

LYON PARTS AND SUPPLIES



- A. #L535
Door Jamb
- B. #L506 (R.H.) / #L506 A (L.H.)
Door Jamb
- C. #L539 (R.H.) / #L539A (L.H.)
Door Jamb
- D. #L537
Door Jamb
- E. #L540 (R.H.) / #L540A (L.H.)
Door Jamb
- F. #L503
Door Jamb
- G. #L516
Door Jamb
- H. #L538
Door Jamb
- I. #L507
Door Jamb
- J. #L508
Door Jamb
- K. #L536 (R.H.) / #L536A (L.H.)
Door Jamb
- L. #L534
Door Jamb
- M. #L495
Box Locker Pull
- N. #L496
Roll Point Catch
- O. #L492
Hinge
- P. #L705 (R.H.) / #L705A (L.H.)
Padlock Attachment
- Q. #L479
Spring-Actuated Latch
- R. #L4790
Spring for S.A. Latch
- S. #L480
Gravity Latch
- T. #L505
Number Plate

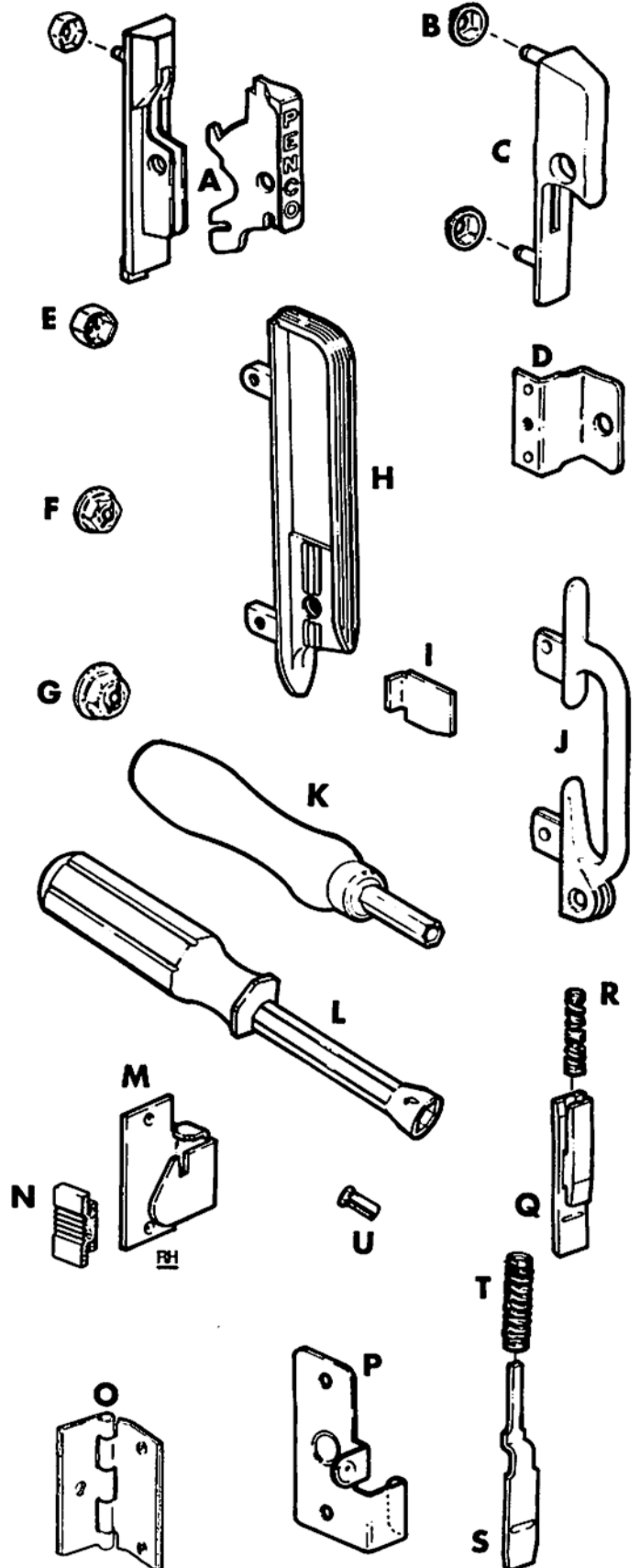
LYON Door & Frame and Body Parts are available - please see us for these. Replacement Lock Bars are also available.

J. SALLESE & SONS, INC.

5 Crescent Ave., Unit 12 • Walnut Hill Park • Woburn, MA 01801
Ph: 781-246-3508 • Fx: 781-246-2402 • Email: Jsallese@Jsallese.com • Website: www.Jsallese.com

PENCO PARTS AND SUPPLIES

- A. #P849 (Specify Pre or Post 1972)
Vanguard Handle, 2-Piece
- B. #P845E
Palnut
- C. #P845
Finger Lift Handle, 1-Piece
- D. #P845B
Padlock Staple
- E. #P849C
Palnut, Smallest Size (Pre 1972)
- F. #P849D
Palnut, Medium Size (Post 1972)
- G. #P845E
Palnut, Largest Size
- H. #P842
Penn Metal Handle
- I. #P842A
Penn Metal Padlock Hasp
- J. #P402
Penn Metal Handle
- K. #P863
Palnut Tool, Smallest Size (Pre 1972)
- L. #P863P
Palnut Tool, Medium Size (Post 1972)
- M. #P847 (R.H.) / #P848 (L.H.)
Latch Hook
- N. #P847A
Bumper for Latch Hook
- O. #P400
Hinge
- P. #P852
Box Locker Door Pull
- Q. #P849A
Nylon Latch Clip
- R. #P849B
Spring
- S. #P845A
Steel Latch Clip
- T. #P845D
Coiled Spring
- U. #P846
Spiral Pin for Lock Bar



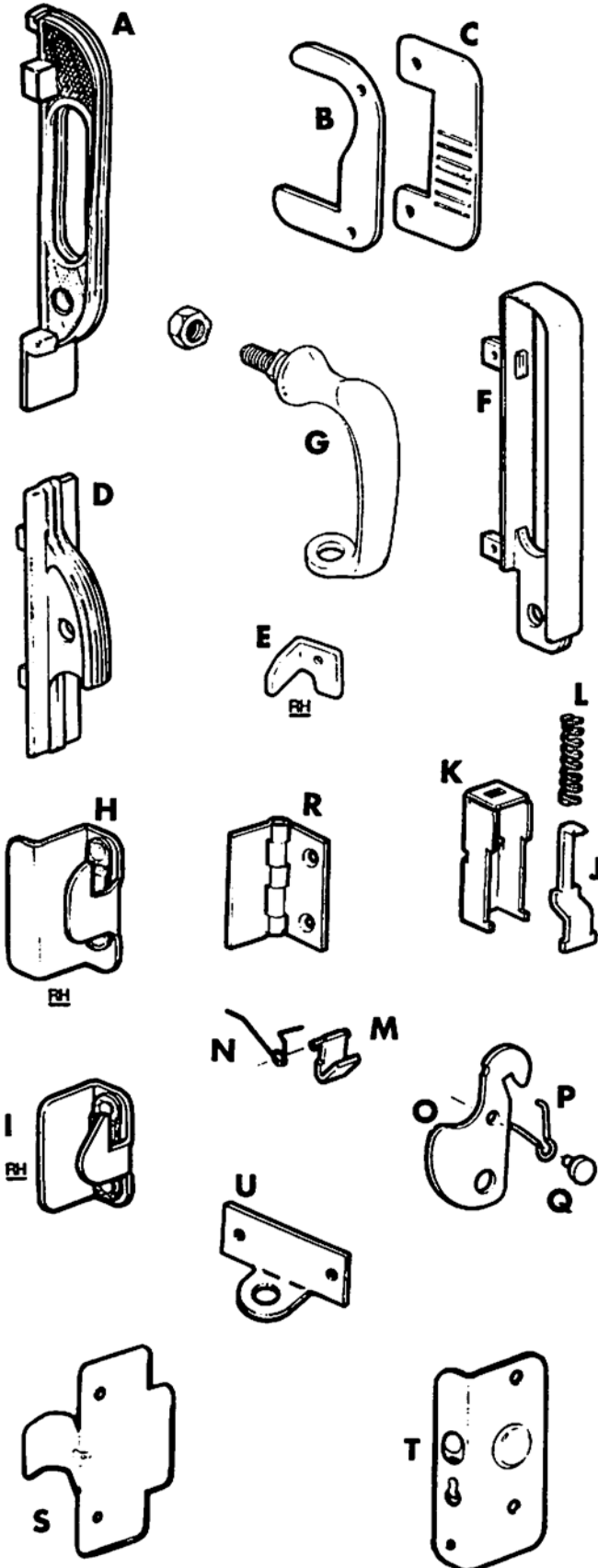
PENCO Door & Frame and Body Parts are available - please see us for these. Replacement Lock Bars are also available.

J. SALLESE & SONS, INC.

5 Crescent Ave., Unit 12 • Walnut Hill Park • Woburn, MA 01801

Ph: 781-246-3508 • Fx: 781-246-2402 • Email: jsallese@jsallese.com • Website: www.jsallese.com

INTERIOR PARTS AND SUPPLIES



- A. #I271
Locker Handle
- B. #I276
Standard Latch Lifter
- C. #I414
Solid Latch Lifter
- D. #I275
Locker Handle
- E. #I410 (R.H.) / #I410A (L.H.)
Padlock Clip
- F. #I272
Bar & Strap Handle
- G. #I113
Wire Mesh Locker Handle
- H. #I278 (R.H.) / I278A (L.H.)
Lock Bar Hook
- I. #I277 (R.H.) / #I277A (Steel)
Lock Bar Hook
- J. #I417 (Nylon) / #I417A (Steel)
Latch Finger
- K. #I415
Housing for Latch Finger
- L. #I416
Spring for Latch Finger
- M. #I422
Latch Finger
- N. #I423
Spring for Latch Finger
- O. #I282
Latch Handle for Box Locker
- P. #I282B
Spring for B.L. Latch
- Q. #I282A
Stud for B.L. Latch
- R. #I280
Hinge
- S. #I226
Door-Pull Strike
- T. #I227
Cover Plate w/Spring
- U. #I229
Basket Rack Padlock Clip

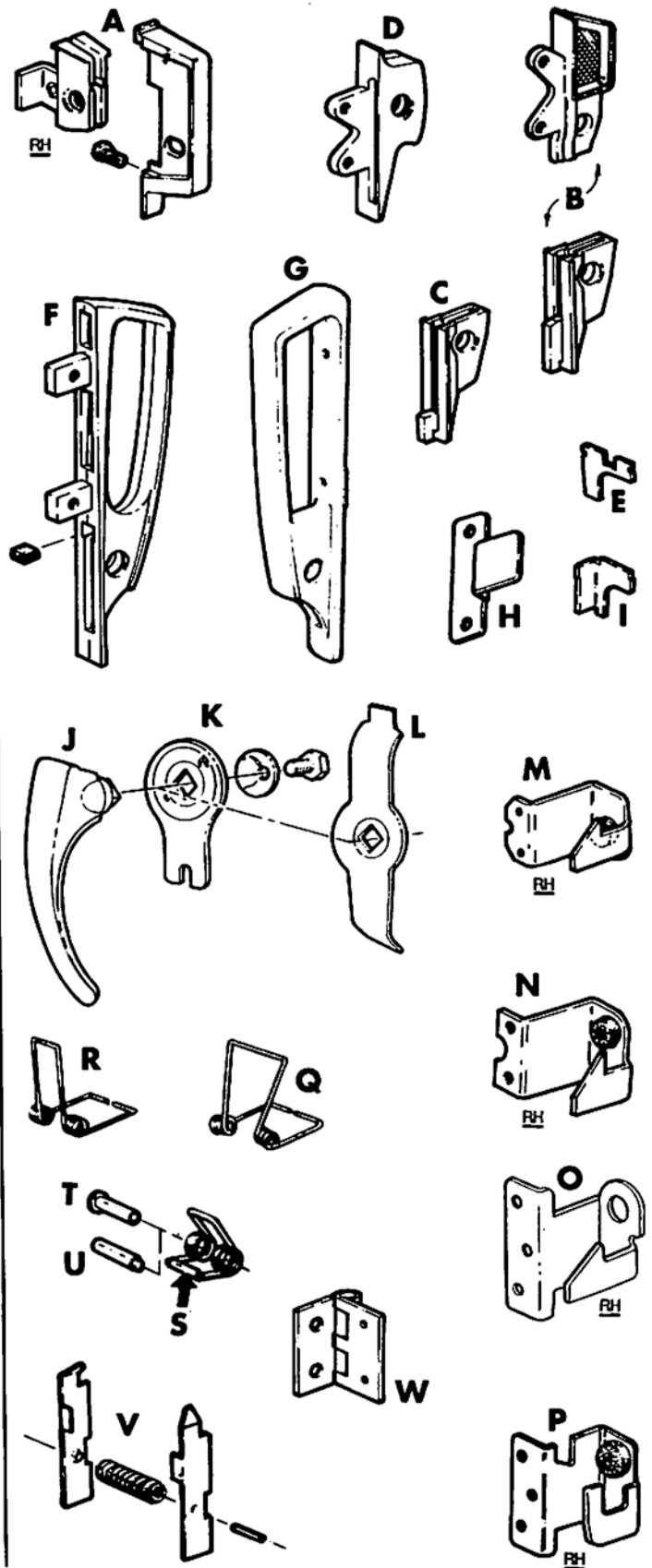
INTERIOR Door
& Frame and
Body Parts are
available - please
see us for these.
Replacement
Lock Bars are also
available.

J. SALLESE & SONS, INC.

5 Crescent Ave., Unit 12 • Walnut Hill Park • Woburn, MA 01801
Ph: 781-246-3508 • Fx: 781-246-2402 • Email: Jsallese@Jsallese.com • Website: www.Jsallese.com

MEDART PARTS AND SUPPLIES

- A. #M369 (R.H.) / #M369A (L.H.)
Standard 2-Piece Handle
#M369B (R.H.) / #M369C (L.H.)
Handle Lift ONLY
#M369D
Handle Case ONLY
- B. #M370
Standard 2-Piece Handle
- C. #M405
Modified 2-Piece Handle
- D. #M360
Locker Handle
- E. #M363
Padlock Hasp
- F. #M355
Locker Handle
- G. #M359
Locker Handle
- H. #M357
Lockrod Lift
- I. #M366 (R.H.) / #M366A (L.H.)
Padlock Hasp
- J. #M361
Turn Type Handle
#M362B
Cup Washer ONLY
#M362C
Bolt ONLY for T.T. Handle
- K. #M362D
Short Flat Cam Lever
- L. #M361A
Long Flat Cam Lever
- M. #M367 (R.H.) / #M367A (L.H.)
Doorstop
- N. #M341 (R.H.) / #M341A (L.H.)
Doorstop
- O. #M402 (R.H.) / #M402A (L.H.)
Doorstop
- P. #M340 (R.H.) / #M340A (L.H.)
Doorstop
- Q. #M358
Lockrod Spring
- R. #M416
Lockrod Spring
- S. #M417
Roller for Lockrod Spring
- T. #M358B
Hollow Rivet for Lockrod Spring
- U. #M358A
Solid Rivet for Lockrod Spring
- V. #M356E
Lockrod Latchclip Assembly
- W. #M351
Hinge

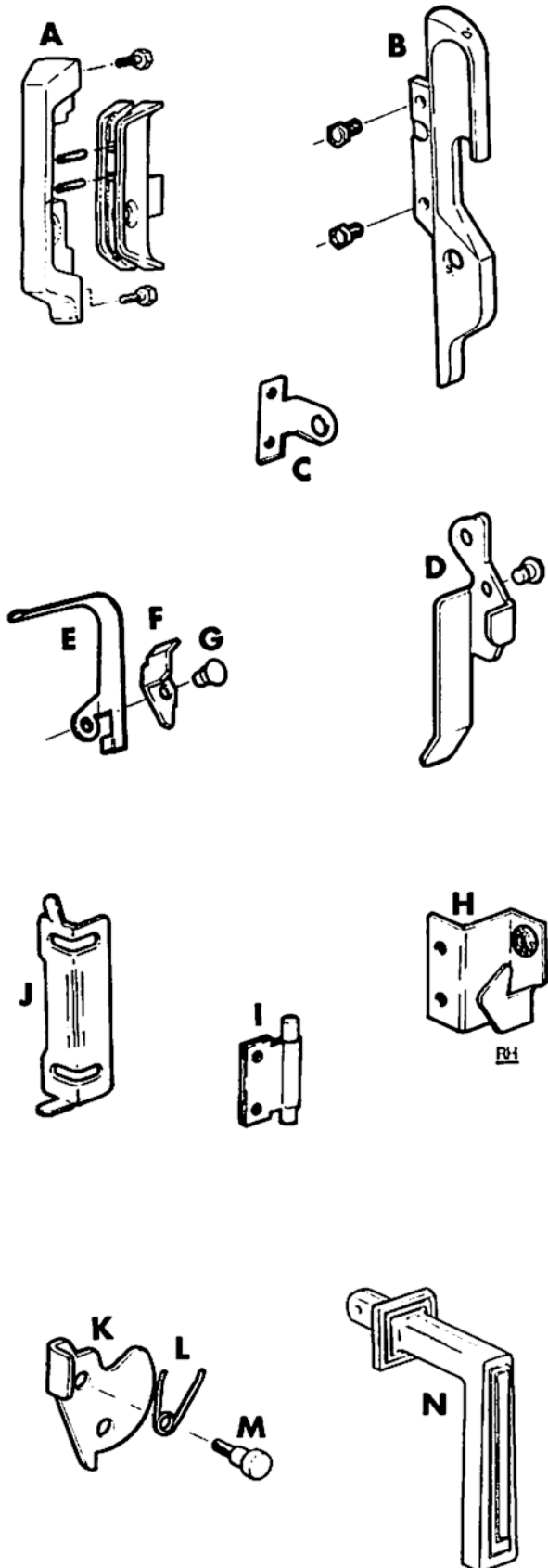


J. SALLESE & SONS, INC.

5 Crescent Ave., Unit 12 • Walnut Hill Park • Woburn, MA 01801

Ph: 781-246-3508 • Fx: 781-246-2402 • Email: Jsallese@Jsallese.com • Website: www.Jsallese.com

ALL-STEEL EQUIPMENT PARTS AND SUPPLIES



- A. #AS113
2-Piece Handle
- B. #AS104
1-Piece Handle
- C. #AS110
Padlock Eye
- D. #AS106
Box Locker Catch
- E. #AS111
Latch Spring
- F. #AS107
Catch
- G. #AS108
Shoulder Rivet
- H. #AS115
Door Jamb
- I. #AS112
Hinge
- J. #AS109
Hinge Clip
- K. #AS101
Box Locker Catch
- L. #AS102
Spring for B. L. Catch
- M. #AS103
Shoulder Bolt
- N. #AS114
Storage Cabinet Handle

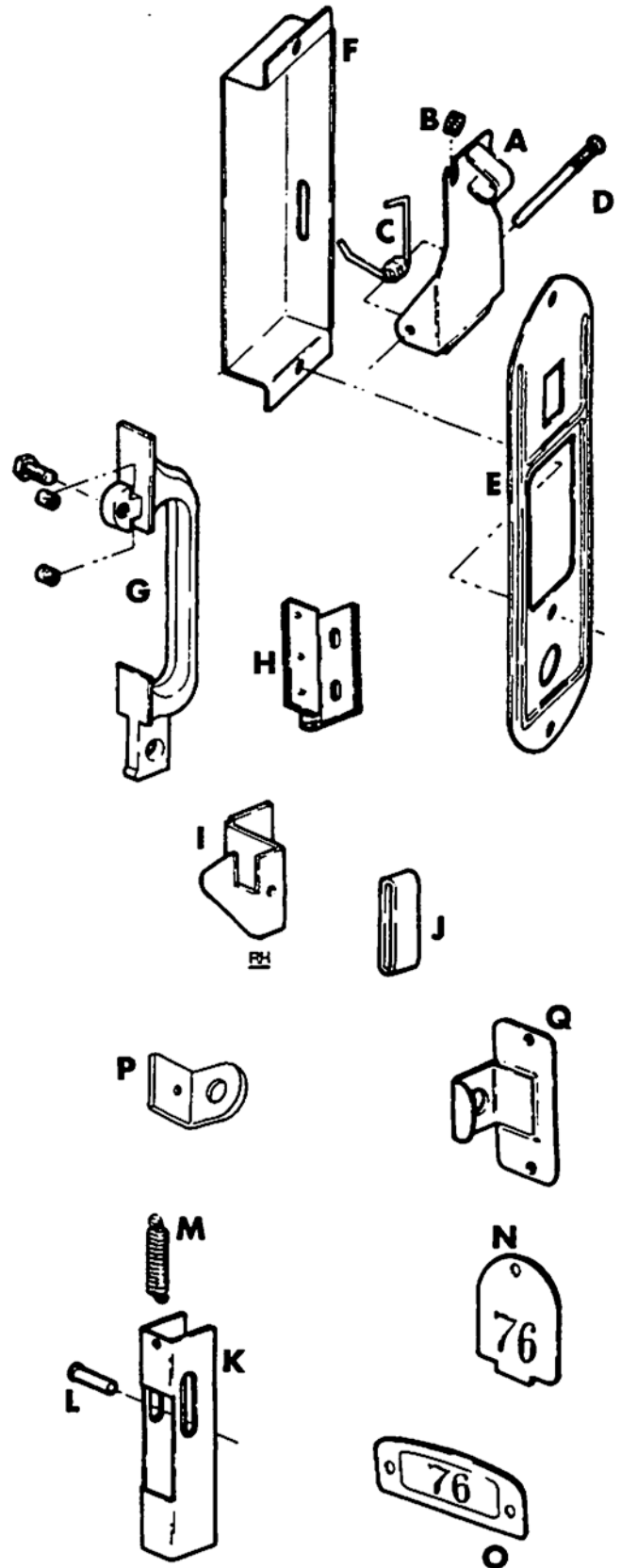
ALL-STEEL Door & Frame and Body Parts are no longer available. Please see us for Door and Frame Assemblies which can be adapted to these lockers.

J. SALLESE & SONS, INC.

5 Crescent Ave., Unit 12 • Walnut Hill Park • Woburn, MA 01801
Ph: 781-246-3508 • Fx: 781-246-2402 • Email: jsallese@jsallese.com • Website: www.jsallese.com

AURORA STEEL PRODUCTS PARTS AND SUPPLIES

- A. #AU408
Lifter w/Padlock Loop
- B. #AU406
Bumper for Lifter
- C. #AU407
Lifter Spring
- D. #AU409
Lifter Pin
- E. #AU410
Face Plate
- F. #AU405
Lifter Cover
- G. #AU428
Grip Type Handle
- H. #AU418
Hinge
- I. #AU420
Door Jamb
- J. #AU419
Bumper for Door Jamb
- K. #AU423
Latch for Locking Pin
- L. #AU424
Latch Pin
- M. #AU425
Coil Spring for L.B.
- N. #AU414
Number Plate for Handle
- O. #AU415
Number Plate for Door
- P. #AU416
Box Locker Padlock Loop
- Q. #AU427
Box Locker Door Pull



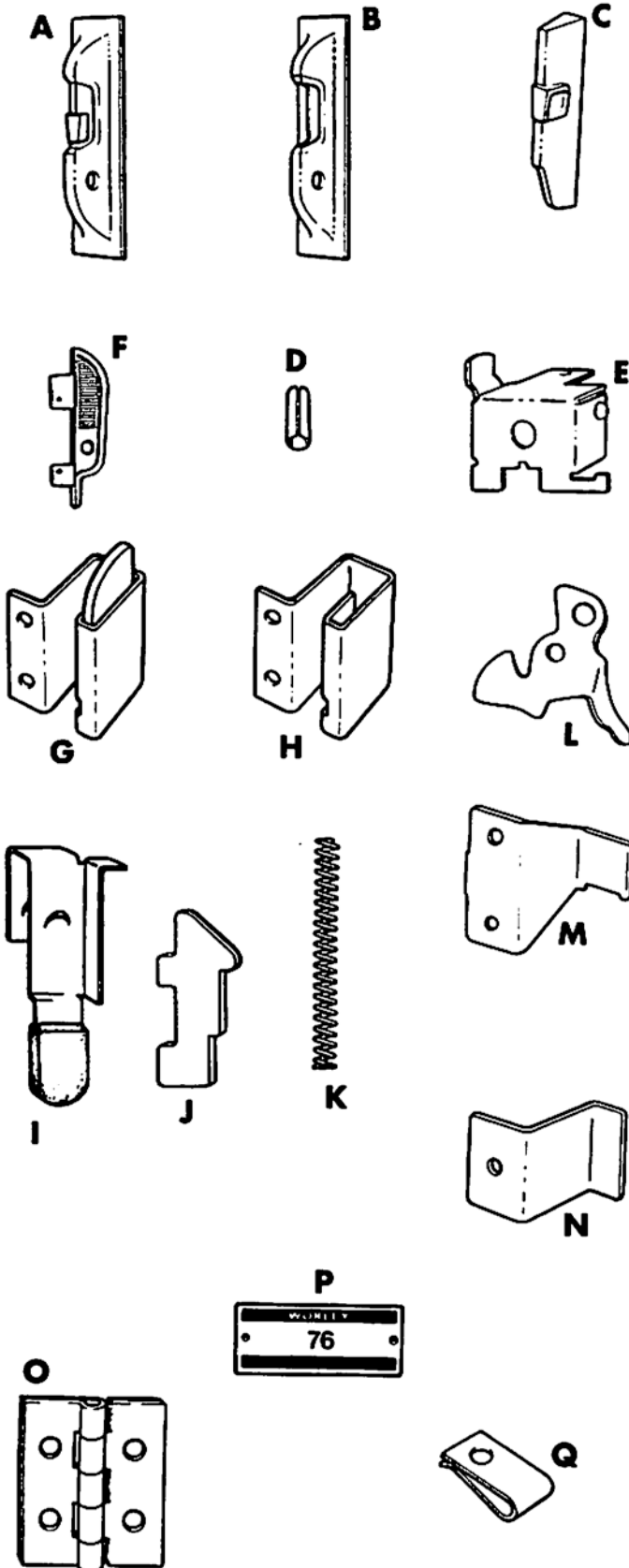
AURORA STEEL PRODUCTS are no longer available.
Please see us for Door and Frame Assemblies
which can be adapted to these lockers.
Replacement Lock Bars are also available.

J. SALLESE & SONS, INC.

5 Crescent Ave., Unit 12 • Walnut Hill Park • Woburn, MA 01801

Ph: 781-246-3508 • Fx: 781-246-2402 • Email: Jsallese@Jsallese.com • Website: www.Jsallese.com

WORLEY PARTS AND SUPPLIES



- A. #Y150
Automatic Locker Handle
- B. #Y152
Handle Case ONLY
- C. #Y153
Handle Slide ONLY
- D. #Y148
Roll Pin for Handle
- E. #Y147
Handle-Bumper Box Assembly
- F. #Y149
1-Piece Handle
- G. #Y125
Automatic Jamb Assembly
- H. #Y125A
Housing for Jamb
- I. #Y125B
Clip for Jamb
- J. #Y125C (Steel) #Y125E (Nylon)
Plunger for Jamb
- K. #Y125D
Coil Spring for Jamb
- L. #Y139
Handle for Gravity Latch
- M. #Y141
Jamb for Gravity Latch
- N. #Y140
Door Stop for Gravity Latch
- O. #Y138
Hinge
- P. #Y134
Number Plate
- Q. #Y126
Clip for Locking Channel

WORLEY Door & Frame and Body Parts are available. Please see us for these. Replacement Locking Channels are also available.

J. SALLESE & SONS, INC.

5 Crescent Ave., Unit 12 • Walnut Hill Park • Woburn, MA 01801
Ph: 781-246-3508 • Fx: 781-246-2402 • Email: Jsallese@Jsallese.com • Website: www.Jsallese.com