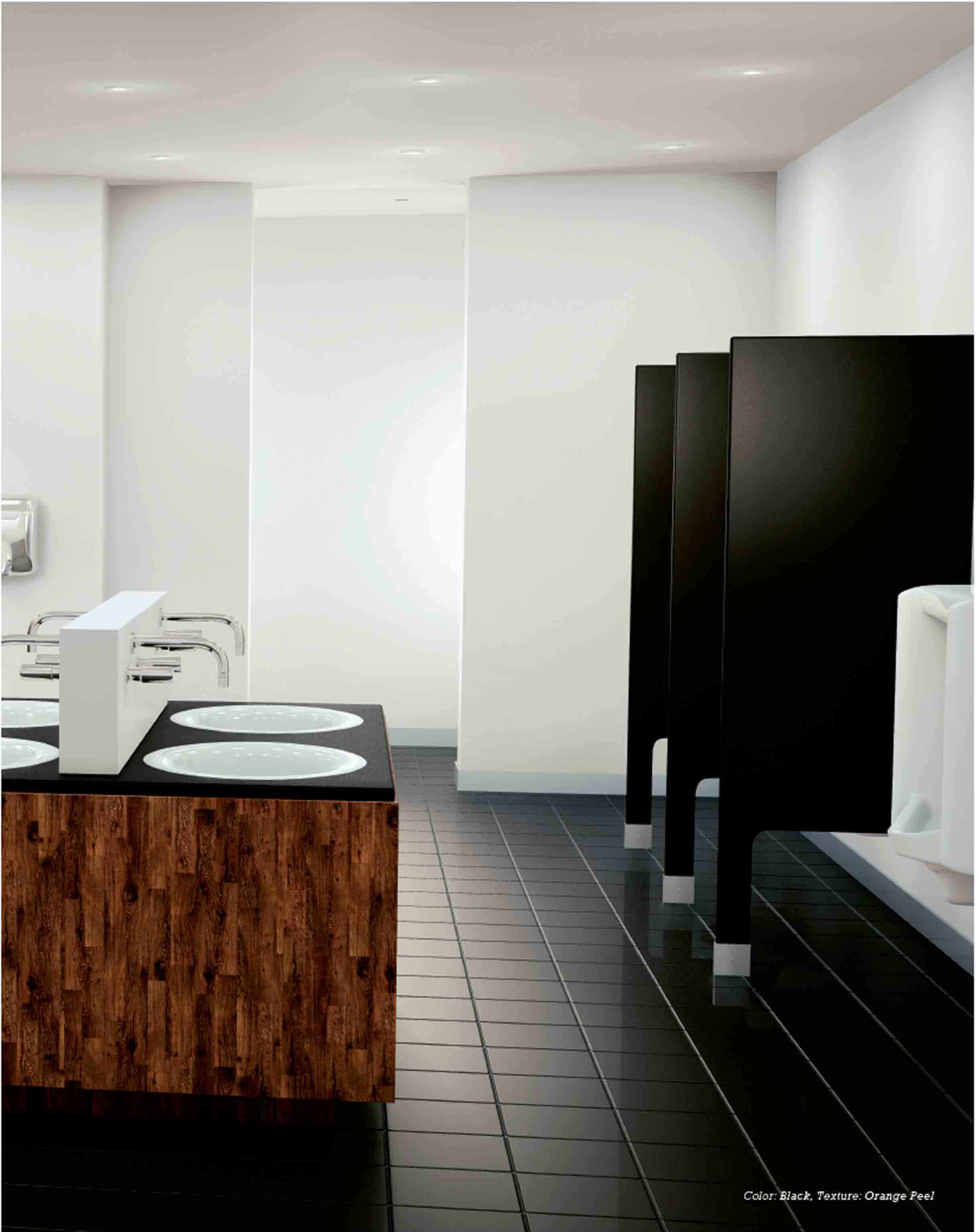


**SCRANTON  
PRODUCTS.**









*Color: Black, Texture: Orange Peel*



# ONE INVESTMENT. MANY BENEFITS.

When you purchase Scranton Products partitions, you're investing in peace of mind. Scranton Products partitions never rust or delaminate and are fully power-washable. What's more, they resist graffiti, odors, moisture and mildew. That means customers save time, hassle and maintenance costs. Scranton Products partitions offer a superior value that simply can't be beat by the competition.



# DESIGNED TO BE WORRY-FREE.

Constructed from premium, American-made 1" solid HDPE with a homogenous color throughout, Scranton Products bathroom partitions lay claim to one of the longest life cycles in the industry. Scranton Products HDPE plastic resists dents, scratches, corrosion, graffiti and mildew—and will absolutely never rust. Whether your fire-rating needs are Class A, Class B or Standard, we have the material to match. Scranton Products has set the industry benchmark for more than 25 years with our unwavering passion for quality and innovative engineering.





**Partition, Vanity & Bench:** Color: *Titanium*, Texture: *Orange Peel*  
**Locker:** Color: *Blueberry*, Texture: *Orange Peel*







# THE POSSIBILITIES ARE LIMITLESS.

With Scranton Products partitions, choices are always standard. No matter what type of facility, Scranton Products offers customers a variety of ways to help make it personalized. Go for a more standard look or dive into a wide selection of colors and textures to achieve a fully customized appearance. Our expert staff is there to guide you in whatever your vision might be.



# STYLE THAT LASTS AND LASTS.

With tough construction and rugged good looks, Scranton Products partitions achieve the desired appearance without the worries. Scranton Products provides customers the freedom to create unique, attractive interior spaces in floor-mounted overhead-braced, ceiling-hung or floor-to-ceiling configurations. All constructions are available in an ADA-compliant configuration. Scranton Products makes it easy to find the style and configuration that's right for your project.





*Color: Blueberry. Texture: Orange Peel*



---

# CLASSIC / COLOR COLLECTION

---



FOS SIL

OP EX H



CHARCOAL GREY

OP EX H



GREY

OP EX H



BURGUNDY

OP EX H



BLUEBERRY

OP EX H



WHITE

OP EX H

---

TEXTURE KEY: **OP** ORANGE PEEL **EX** EX **H** HAMMERED **C** CONTOUR **RB** ROTARY BRUSHED

---

**■** STANDARD **■** SPECIAL ORDER\*



---

Choose any of these popular, versatile colors from our Classic Collection to achieve a crisp, clean look matching any style or decor. Our Classic Collection is most often selected in Orange Peel or EX textures.

---



BLACK

OP EX H



PARCHMENT

OP EX H



MOCHA

OP EX H



HUNTER GREEN

OP EX H



DESERT BEIGE

OP EX H



LINEN

OP EX H

*Color matching is limited by printing process. Actual samples available and are recommended prior to color selections. All swatches shown in Orange Peel. \*Special orders require extended lead times. Minimum order requirements may apply.*



# OPTIONS /

COLOR  
TEXTURE  
HARDWARE

## DURABILITY IN ANY COLOR YOU CHOOSE.

We believe our partitions' one-of-a-kind toughness should match your one-of-a-kind project. Scranton Products offers a wide array of colors and textures — all for the same competitive price. Choose from four stylish color collections and five unique textures.

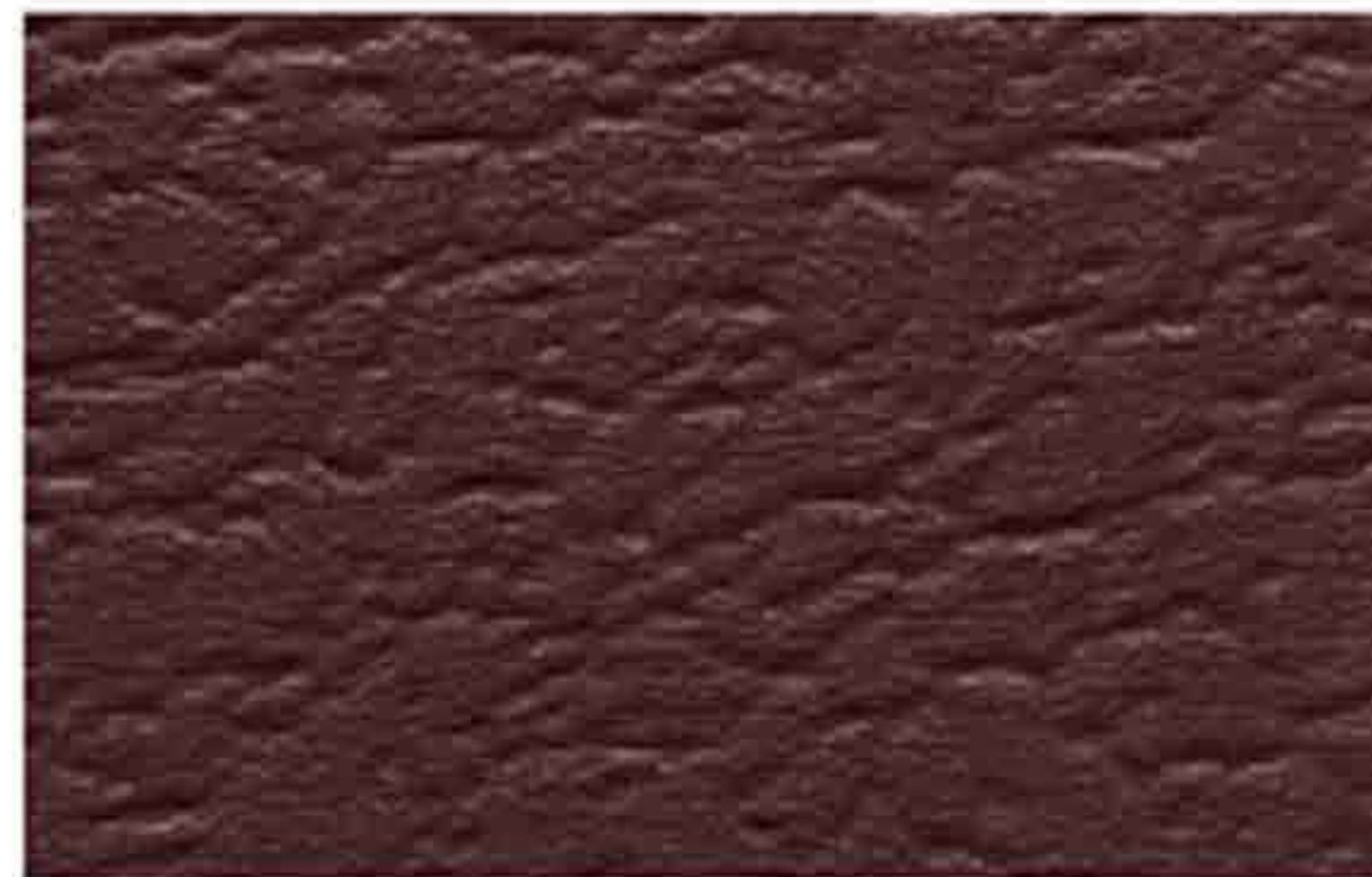


---

# DESIGNER / COLOR COLLECTION

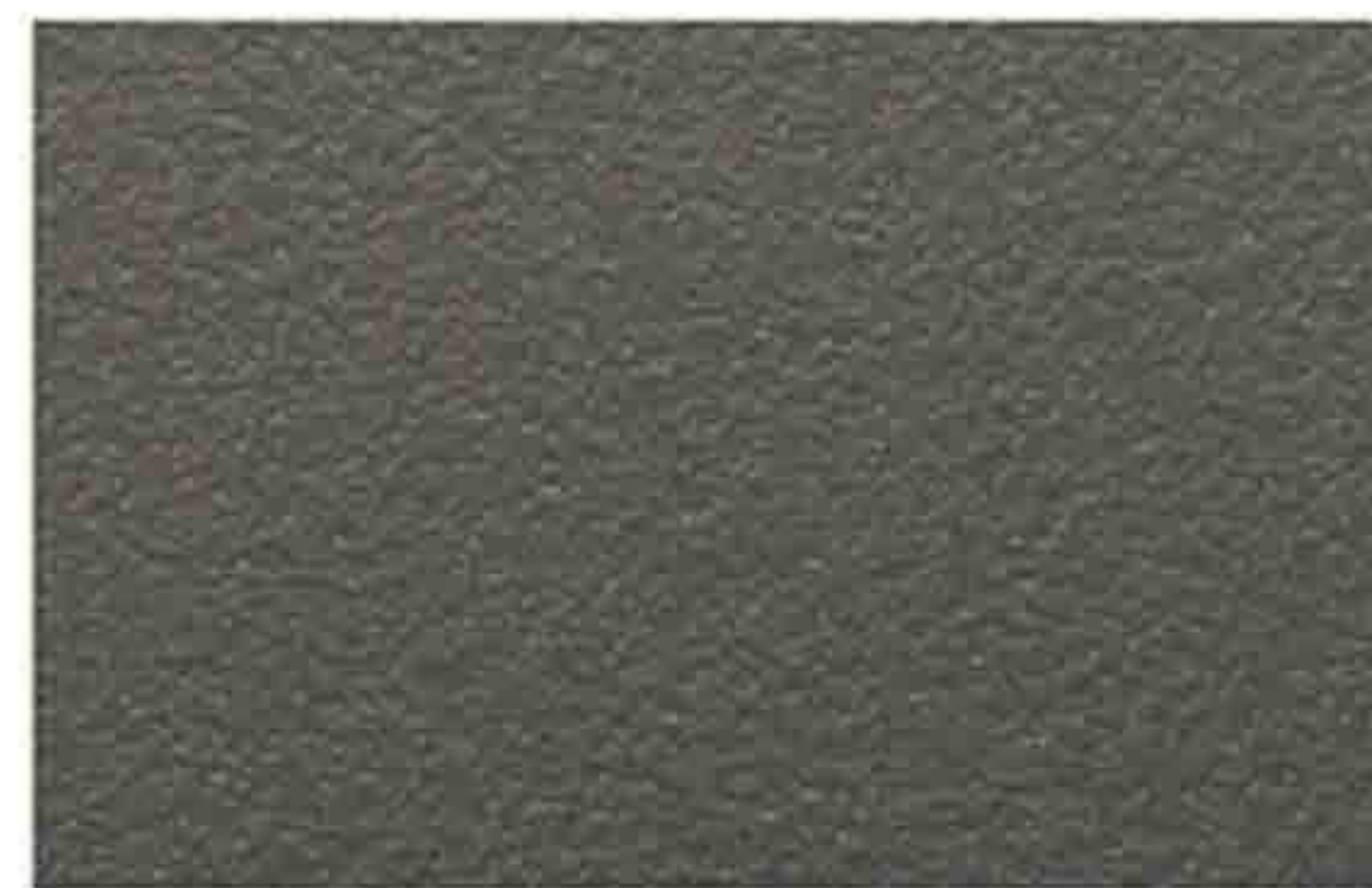
---

Take a look at the new, trend-setting additions to our color palette. These rich Designer shades lend a distinctly modern feel to any interior. To enhance a bold, contemporary look, consider pairing the Designer Collection with our Contour texture.



MAHOGANY

OP C



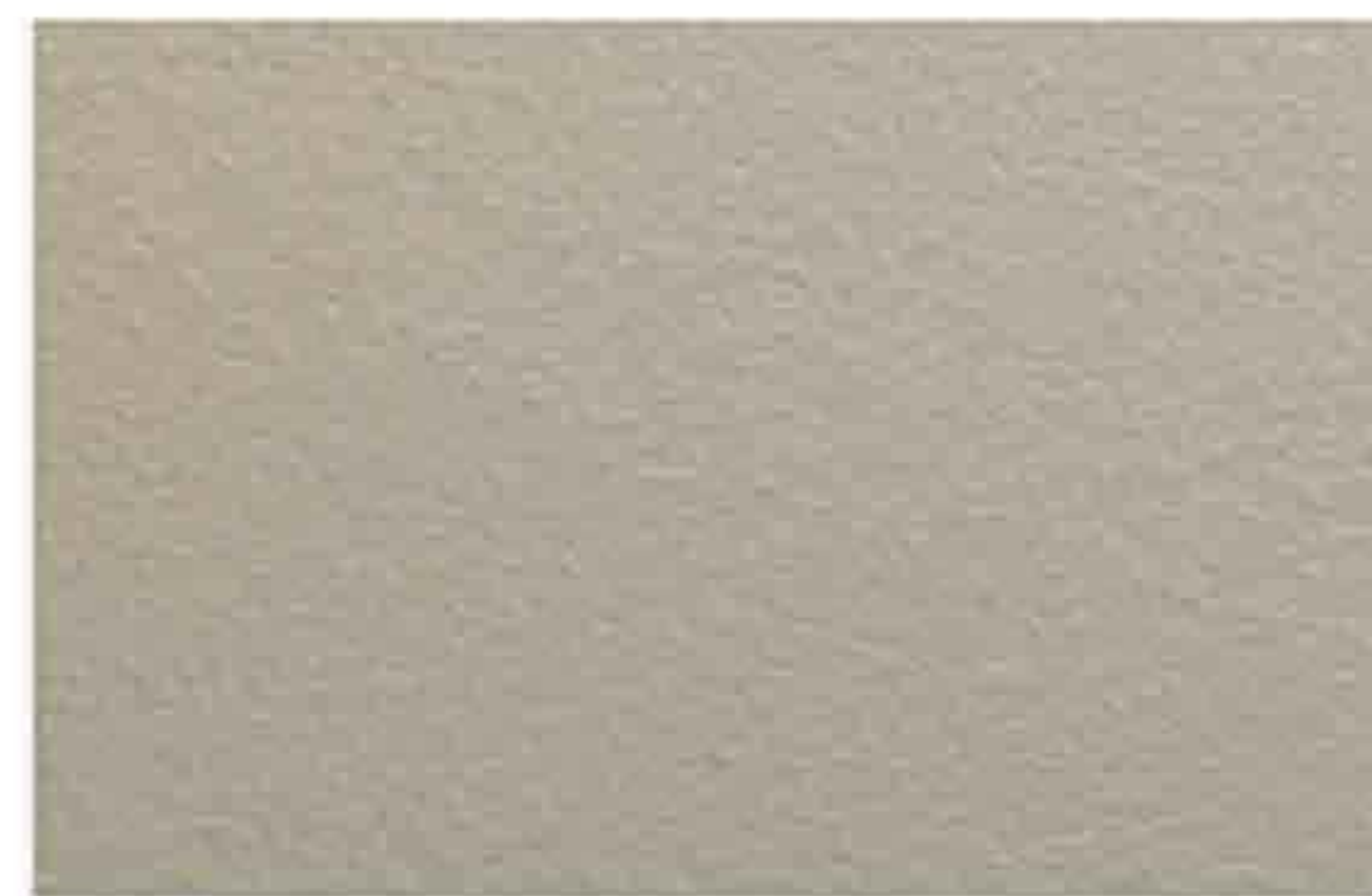
SHALE

OP C



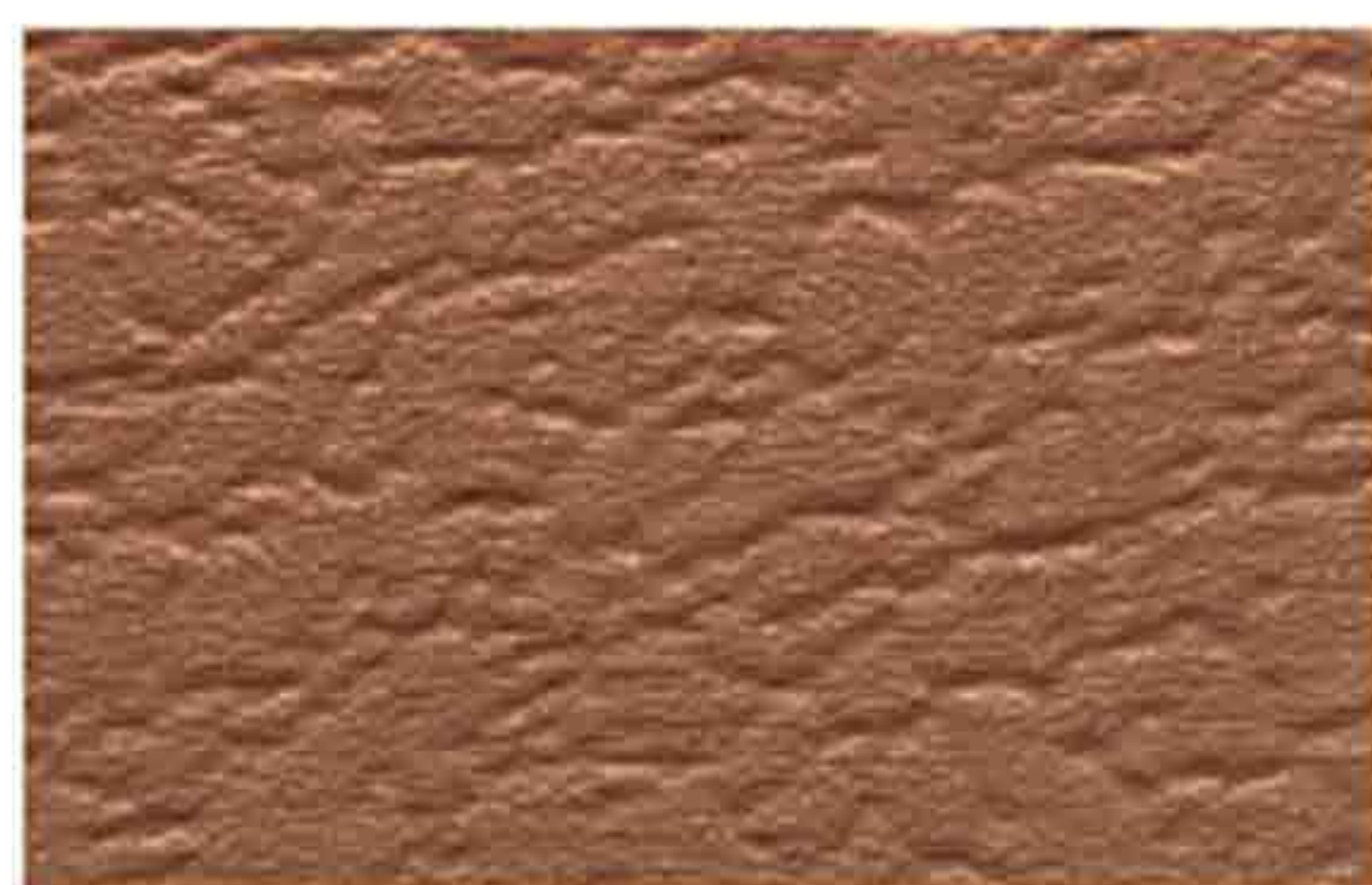
JAVA

OP C



CONCRETE

OP C



SEQUOIA

OP C



TITANIUM

OP C

---

**TEXTURE KEY:** OP ORANGE PEEL EX EX H HAMMERED C CONTOUR RB ROTARY BRUSHED

---

■ STANDARD ■ SPECIAL ORDER\*

*Color matching is limited by printing process. Actual samples available and are recommended prior to color selections.  
Mahogany, Java and Sequoia shown in Contour. Shale, Concrete and Titanium shown in Orange Peel.  
\*Special orders require extended lead times. Minimum order requirements may apply.*





*Color: Mahogany, Texture: Contour*





*Color: Stainless Steel, Texture: Rotary Brushed*

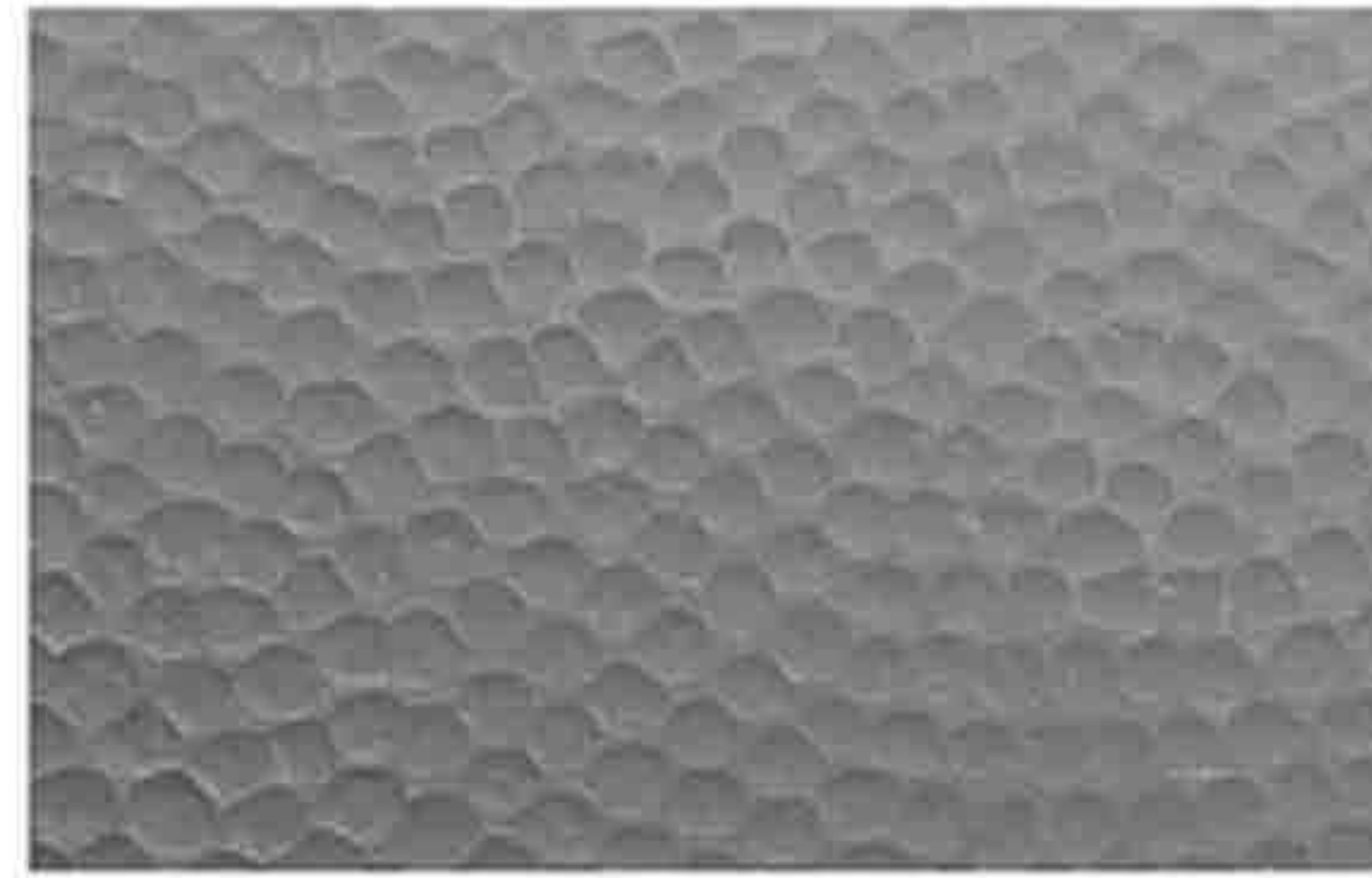


---

# METALLIC / COLOR COLLECTION

---

If you're looking for the toughness of solid plastic with the brilliance of metal, look no further than our new Metallic Collection. For optimal realism, choose a Hammered or Rotary Brushed texture.



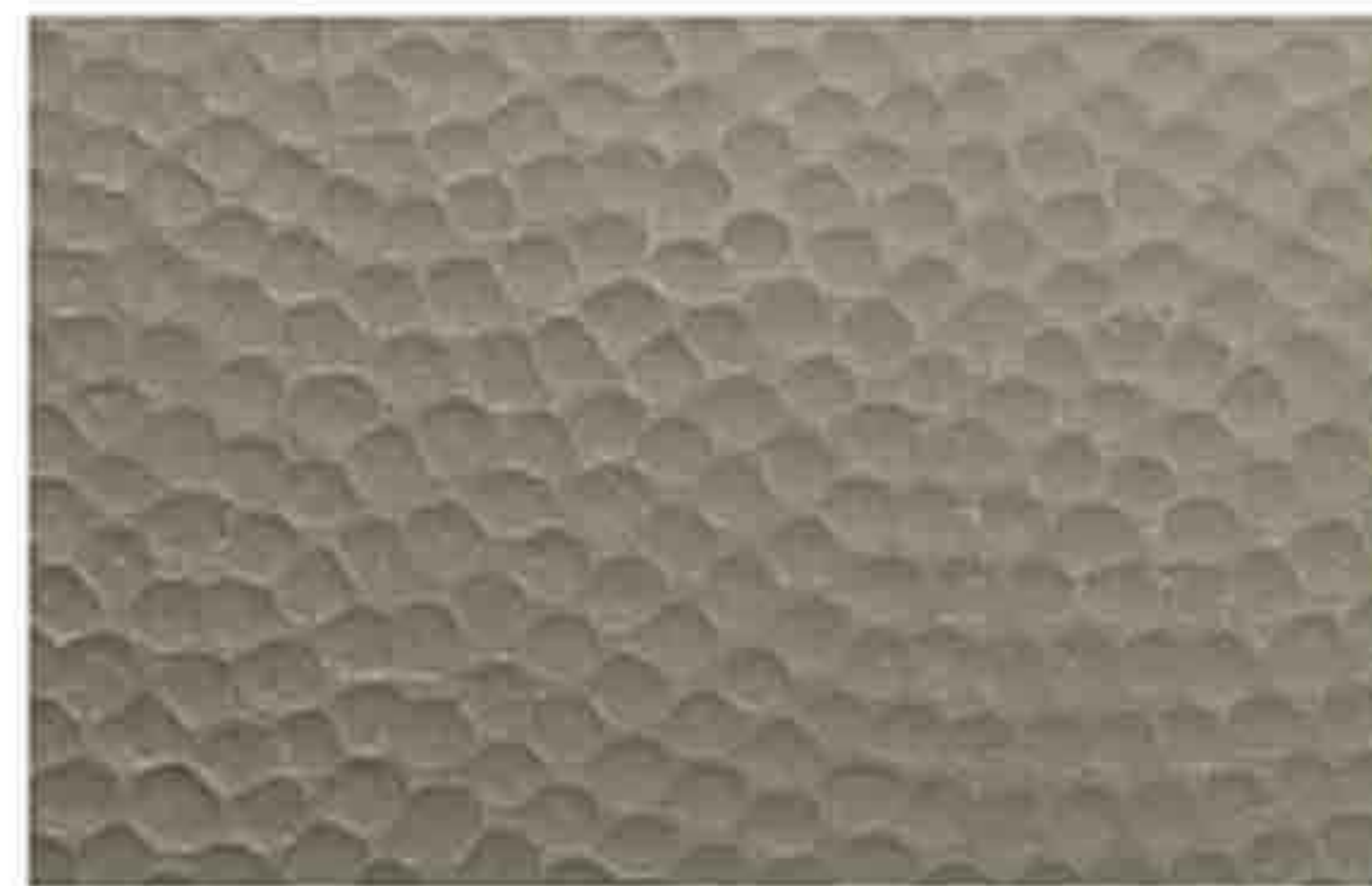
STAINLESS

H RB OP EX



BRONZE

H RB OP EX



NICKEL

H RB OP EX

---

**TEXTURE KEY:** **OP** ORANGE PEEL **EX** EX **H** HAMMERED **C** CONTOUR **RB** ROTARY BRUSHED

---

**■** STANDARD **■** SPECIAL ORDER\*

*Color matching is limited by printing process. Actual samples available and are recommended prior to color selections. All swatches shown in Hammered. \*Special orders require extended lead times. Minimum order requirements may apply.*

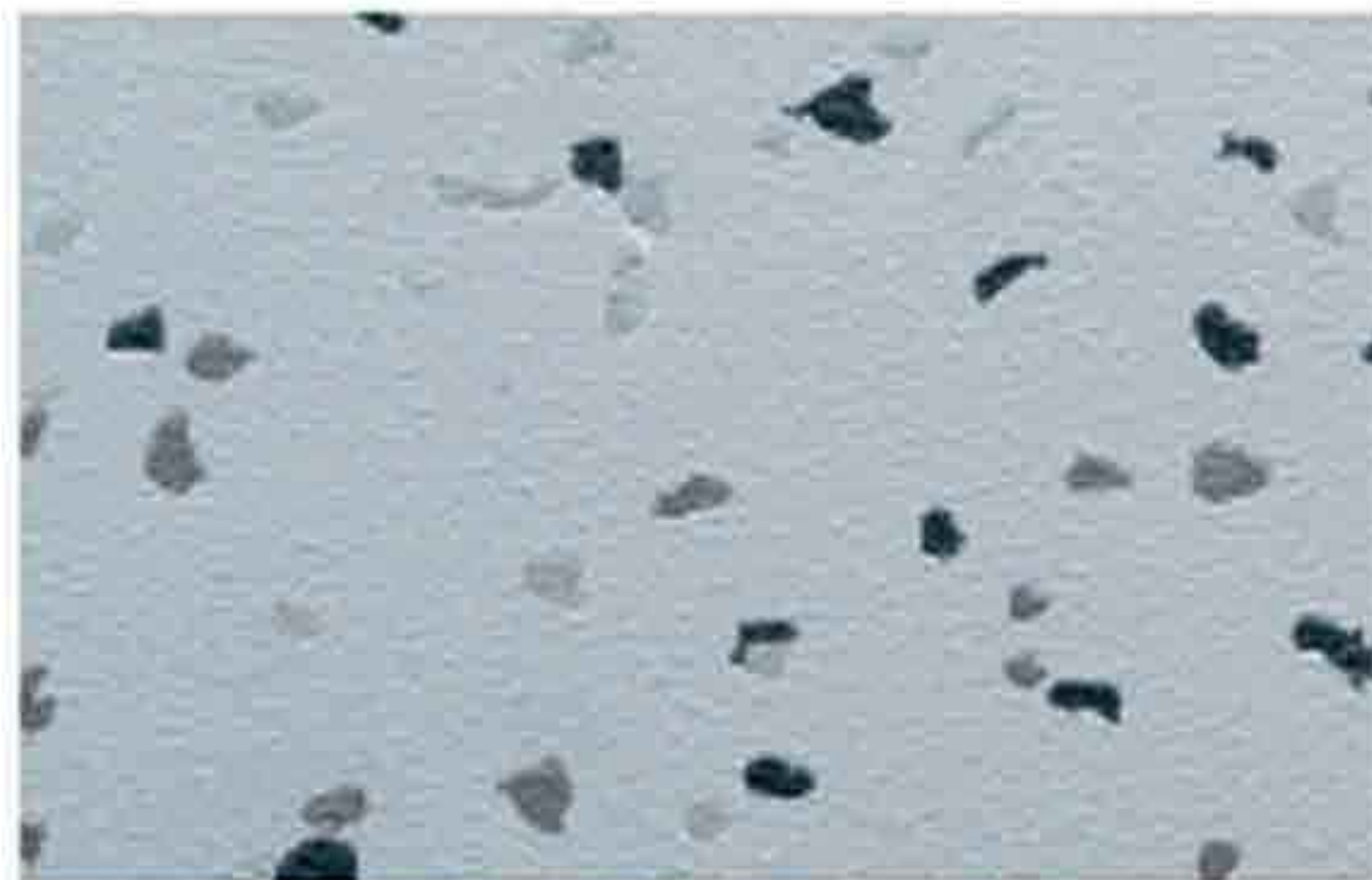


---

# MOSAIC / COLOR COLLECTION

---

Add natural beauty and depth to any design with our Mosaic Collection. Speckled with a medley of hues, the earthiness of this collection really comes through when combined with Orange Peel texture.



BLUESTONE

OP



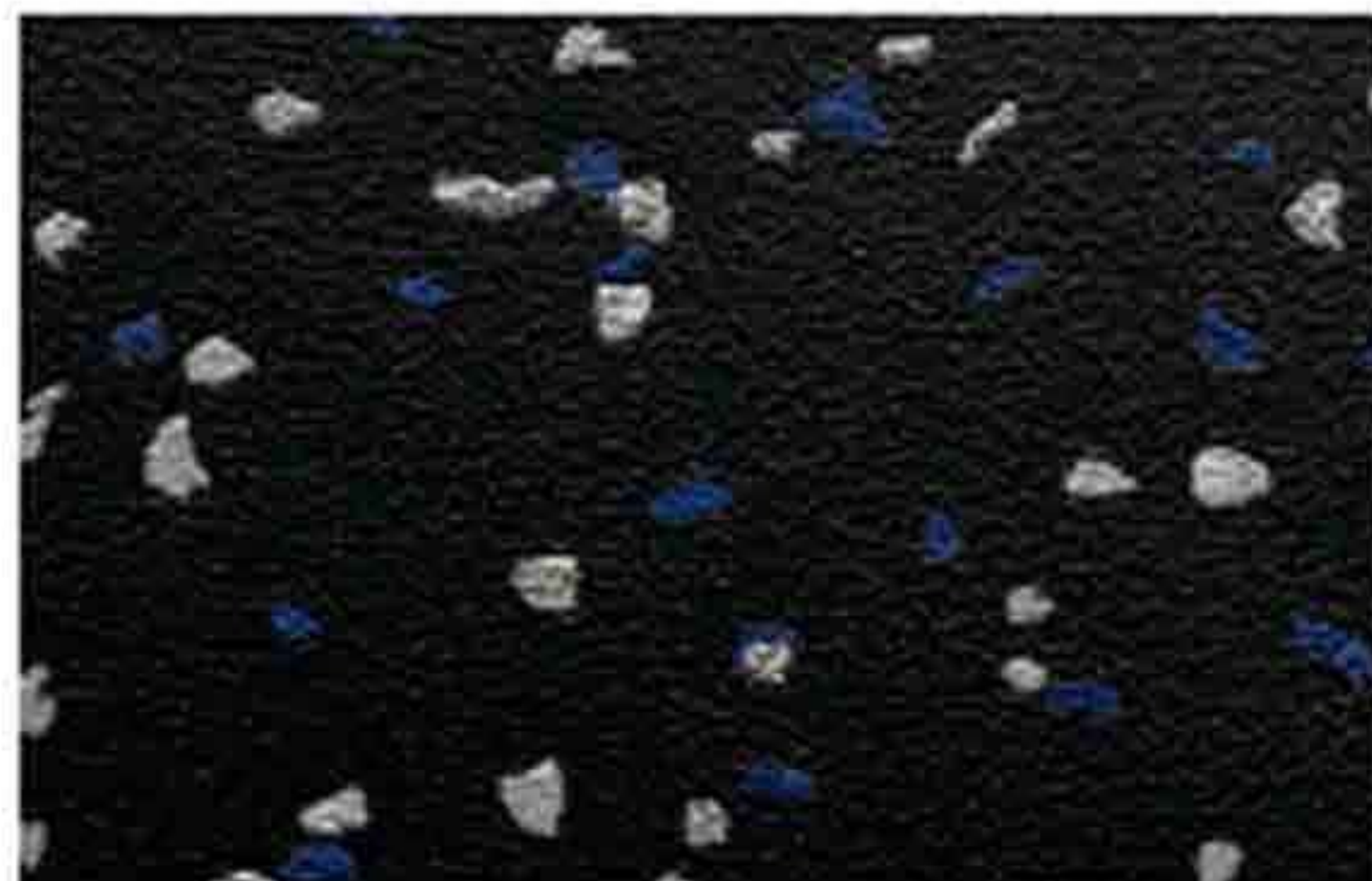
GRAVEL

OP



SANDCASTLE

OP



ONYX

OP



PAISLEY

OP



SANDSTONE

OP



STORM

OP



CHESTNUT

OP



GLACIER GREY

OP

---

TEXTURE KEY: **OP** ORANGE PEEL **EX** EX **H** HAMMERED **C** CONTOUR **RB** ROTARY BRUSHED

---

**■** STANDARD **■** SPECIAL ORDER\*

*Color matching is limited by printing process. Actual samples available and are recommended prior to color selections. All swatches shown in Orange Peel. \*Special orders require extended lead times. Minimum order requirements may apply.*





*Color: Gravel, Texture: Orange Peel*





*Color: Stainless Steel, Texture: Rotary Brushed*



---

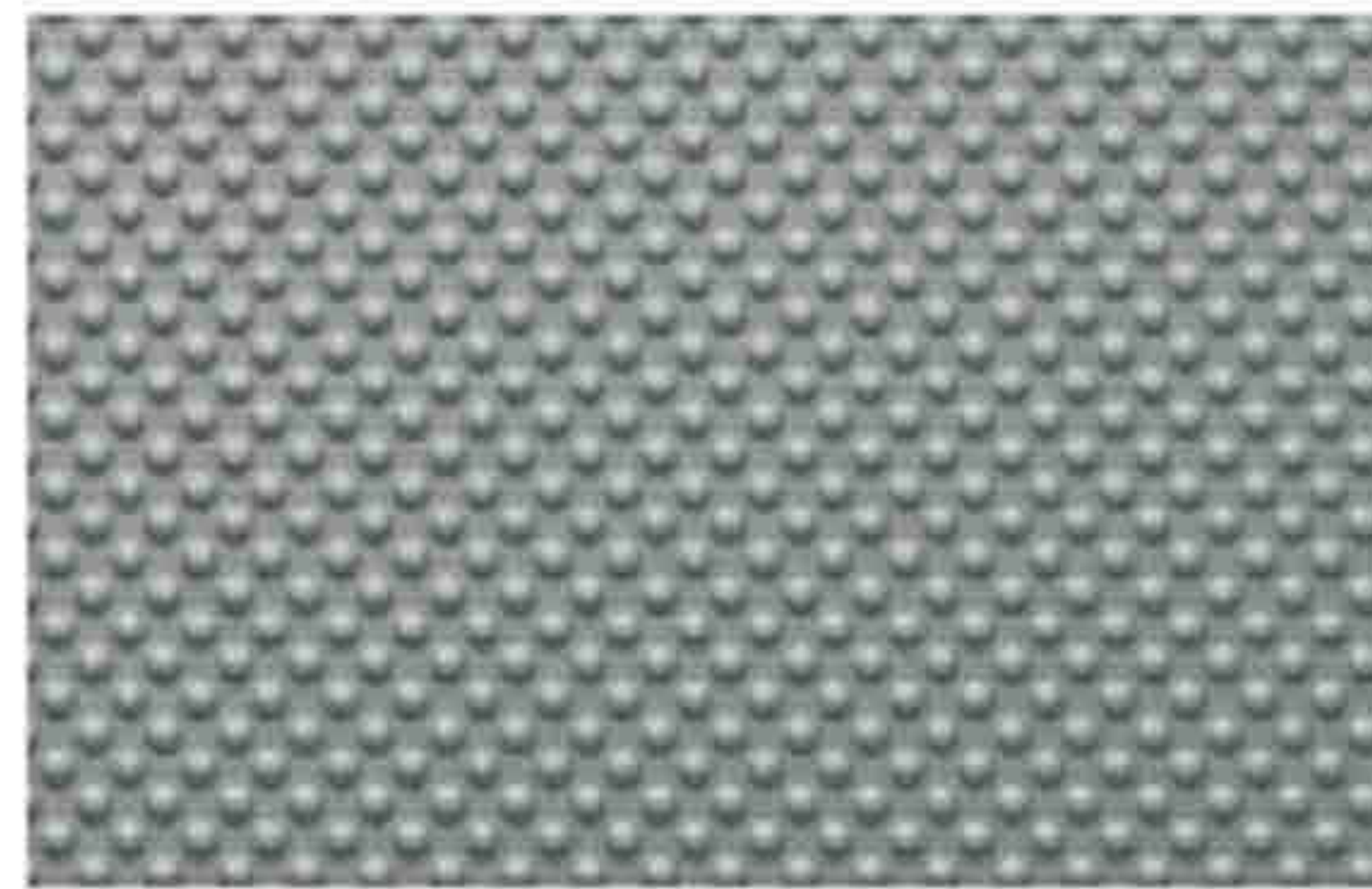
# TEXTURES

---

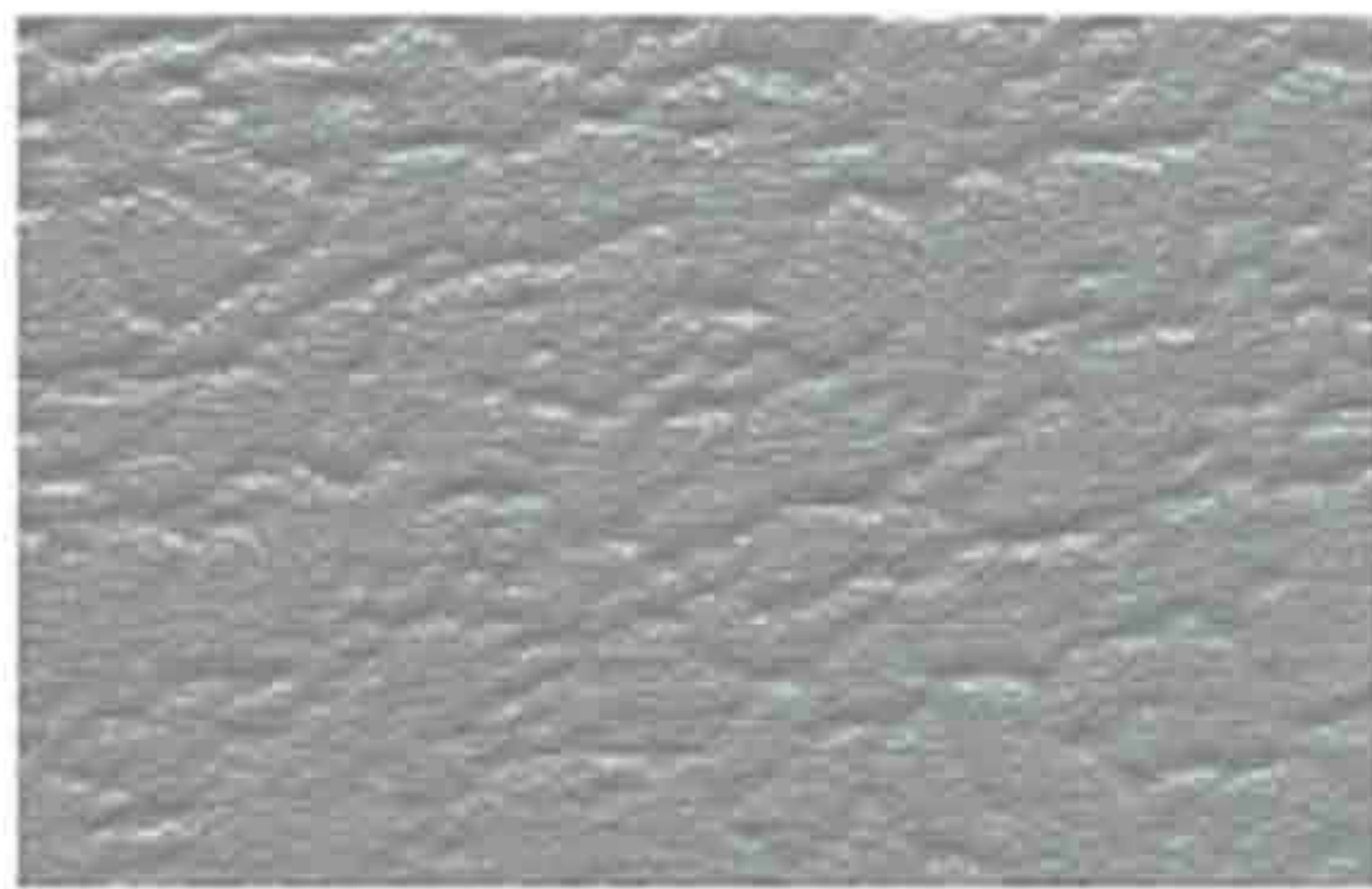
Promising a clean, modern and distinctive look and feel, all Scranton Products partitions are available with a choice of five unique textures. By reducing signs of wear and deterring graffiti, these surface textures will keep any interior looking great for years to come.



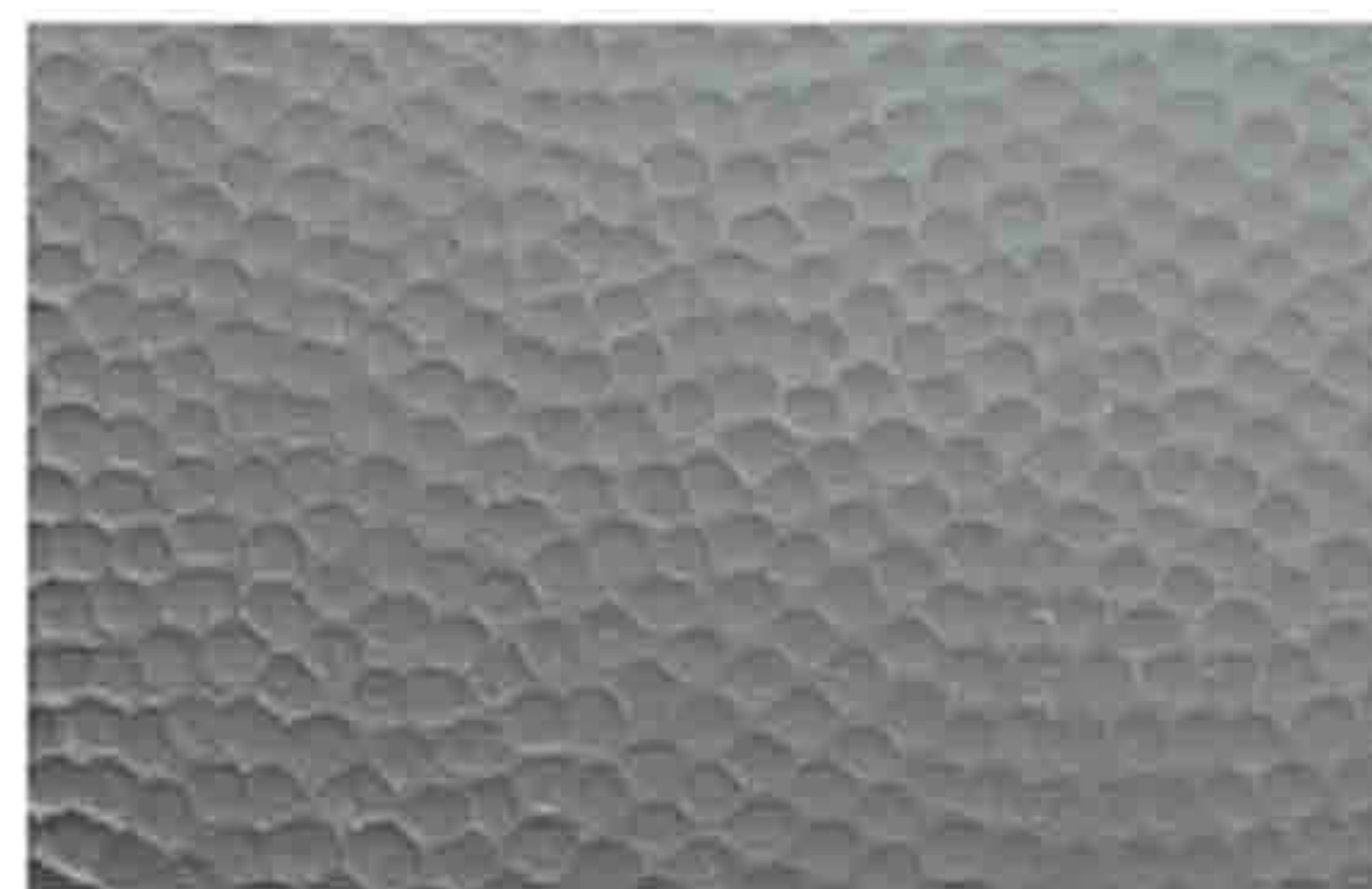
ORANGE PEEL



EX



CONTOUR



HAMMERED



ROTARY BRUSHED

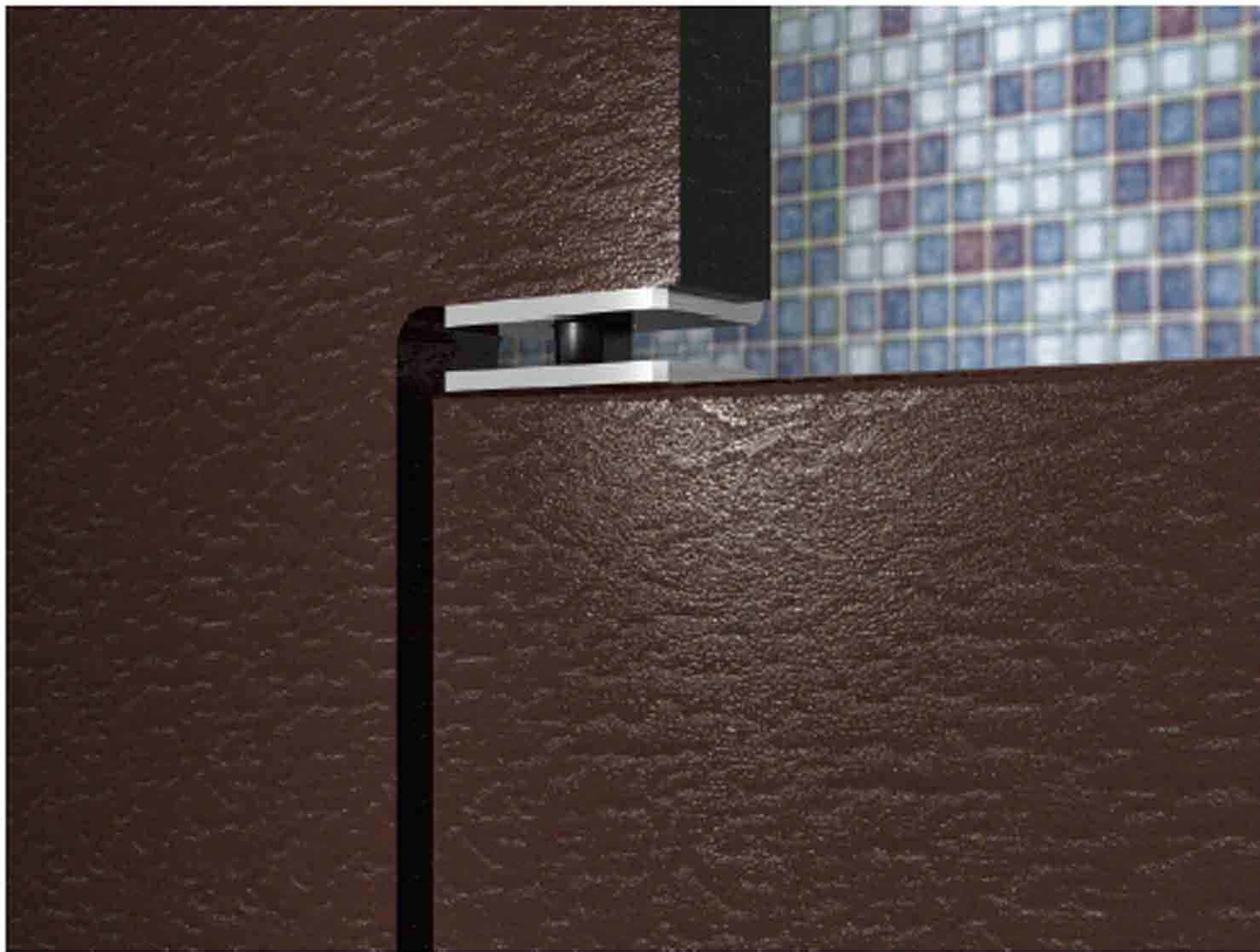


---

# STEALTH™ / HARDWARE COLLECTION

---

The Stealth™ Collection provides a clean, modern approach while still featuring the strength and support you would expect from Scranton Products. It's the perfect hardware match for a space seeking a demure design aesthetic.



---

## STEALTH™ INTEGRAL HARDWARE

---

Stealth™ Integral Hinge

Chrome





---

# REGAL™ / HARDWARE COLLECTION

---

The Regal™ Collection provides modern bold design elements, along with the choice of three beautiful colors. Perfect for adding a uniquely handsome and upscale finish to your bathroom stall. Collection is provided in Frost, Ember™ and Smoke™ Colors.

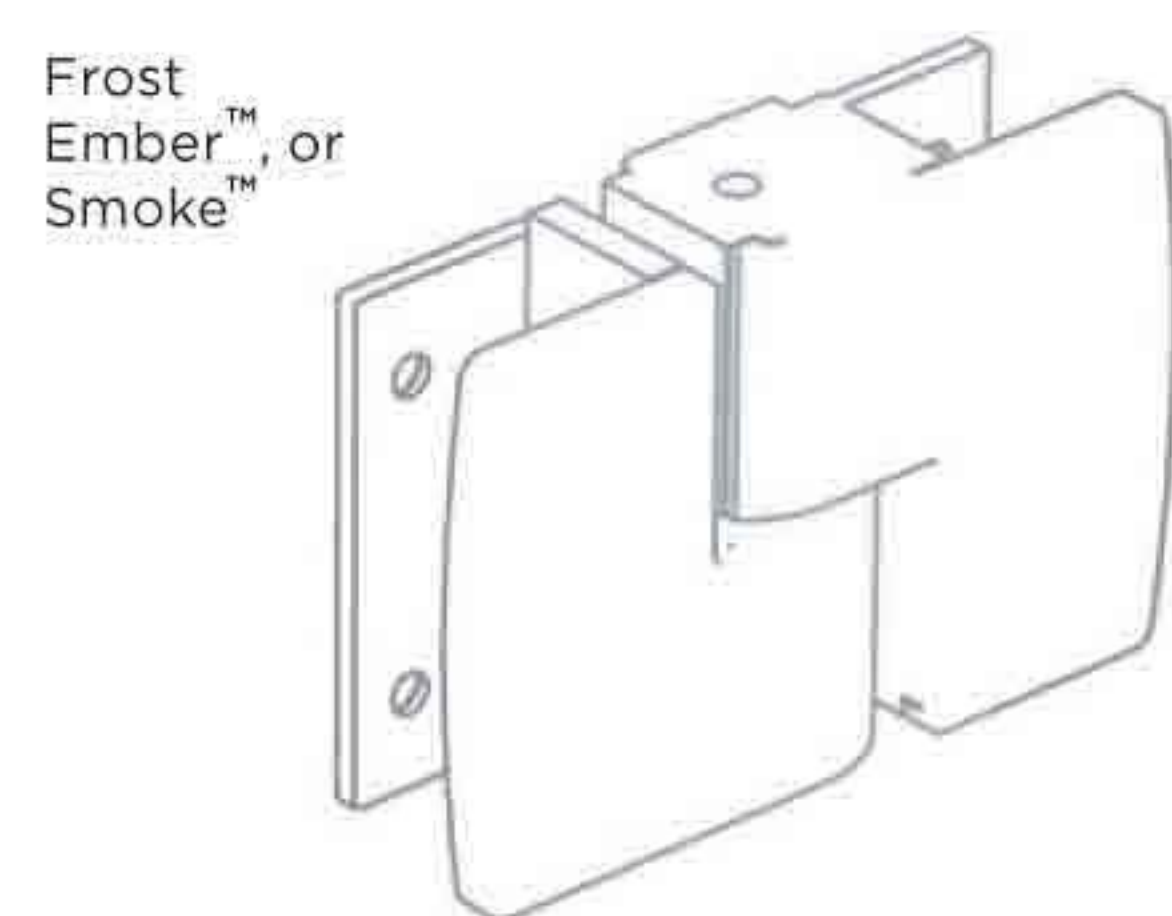


---

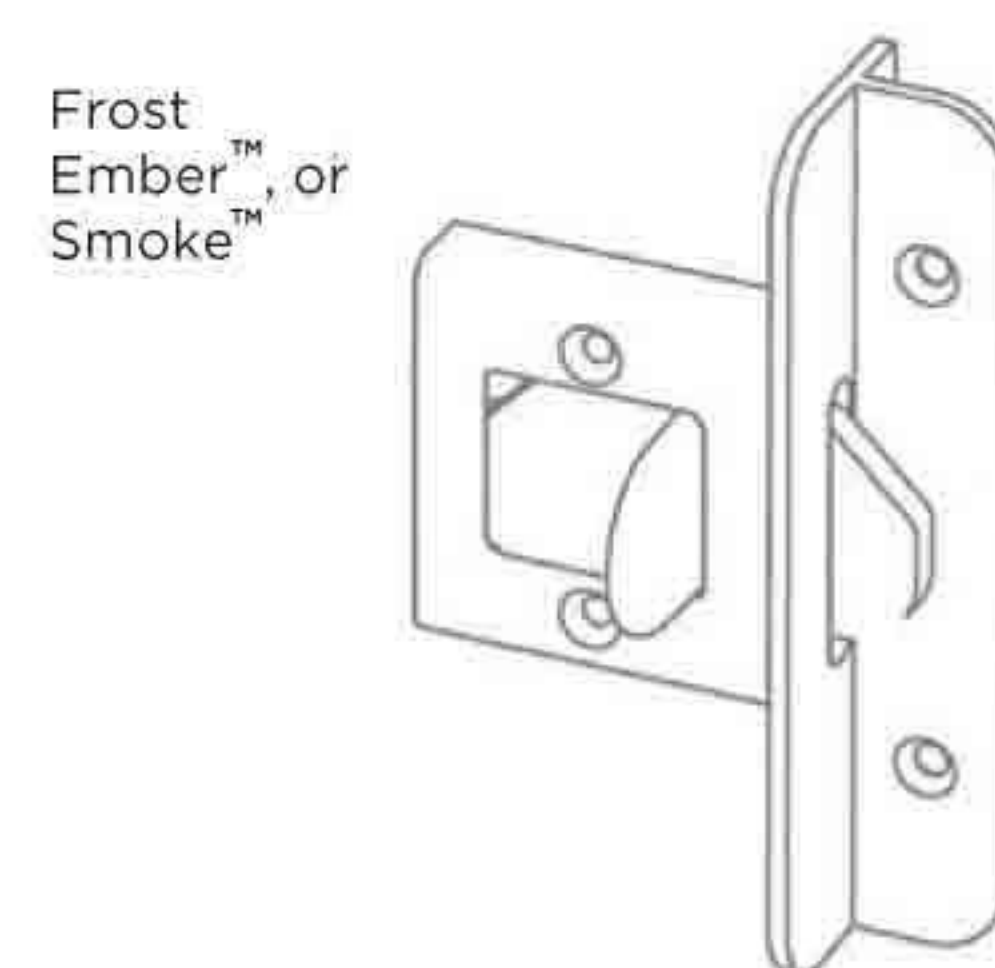
## REGAL™ HARDWARE

---

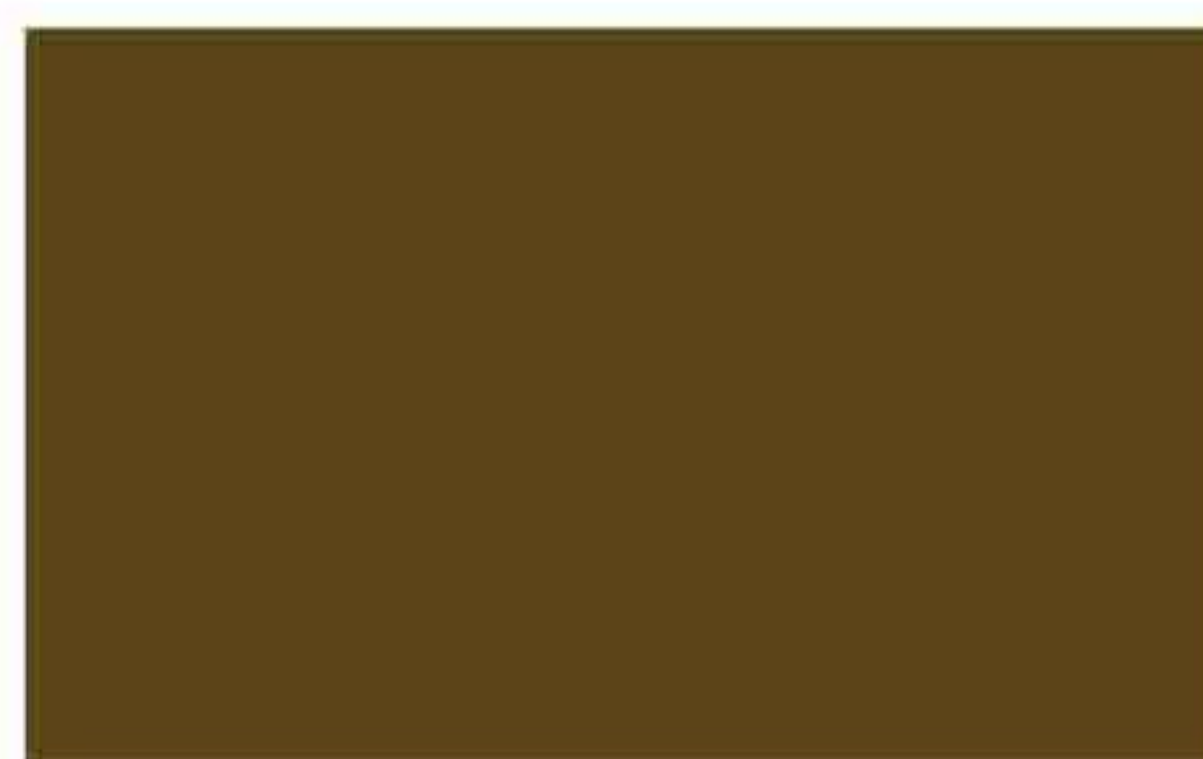
Regal™ Hinge



Slider Latch



FROST



EMBER™



SMOKE™

\*Collection includes Slider Latch.

*Color matching is limited by printing process. Actual samples available and are recommended prior to color selections.*



# STANDARD

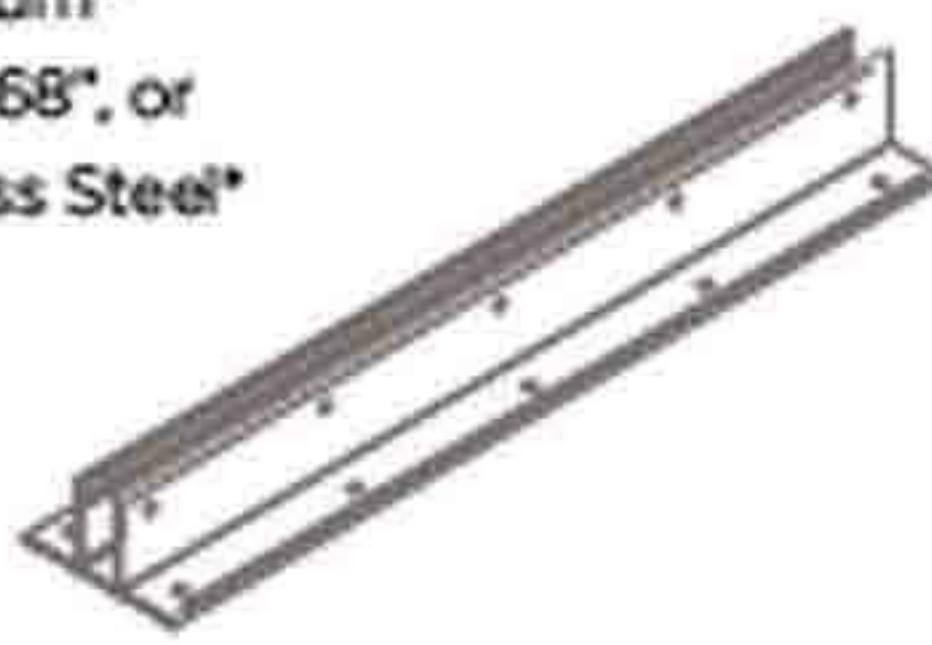
# HARDWARE COLLECTION

To complement the appearance of your interior, Scranton Products offers an array of great-looking hardware options. Whichever style you choose, rest assured it will match the toughness of our partitions and deliver years of worry-free service.

## Continuous Bracket

54" Plastic,  
Aluminum\*  
54" or 68", or  
Stainless Steel\*

Double Ear



Single Ear

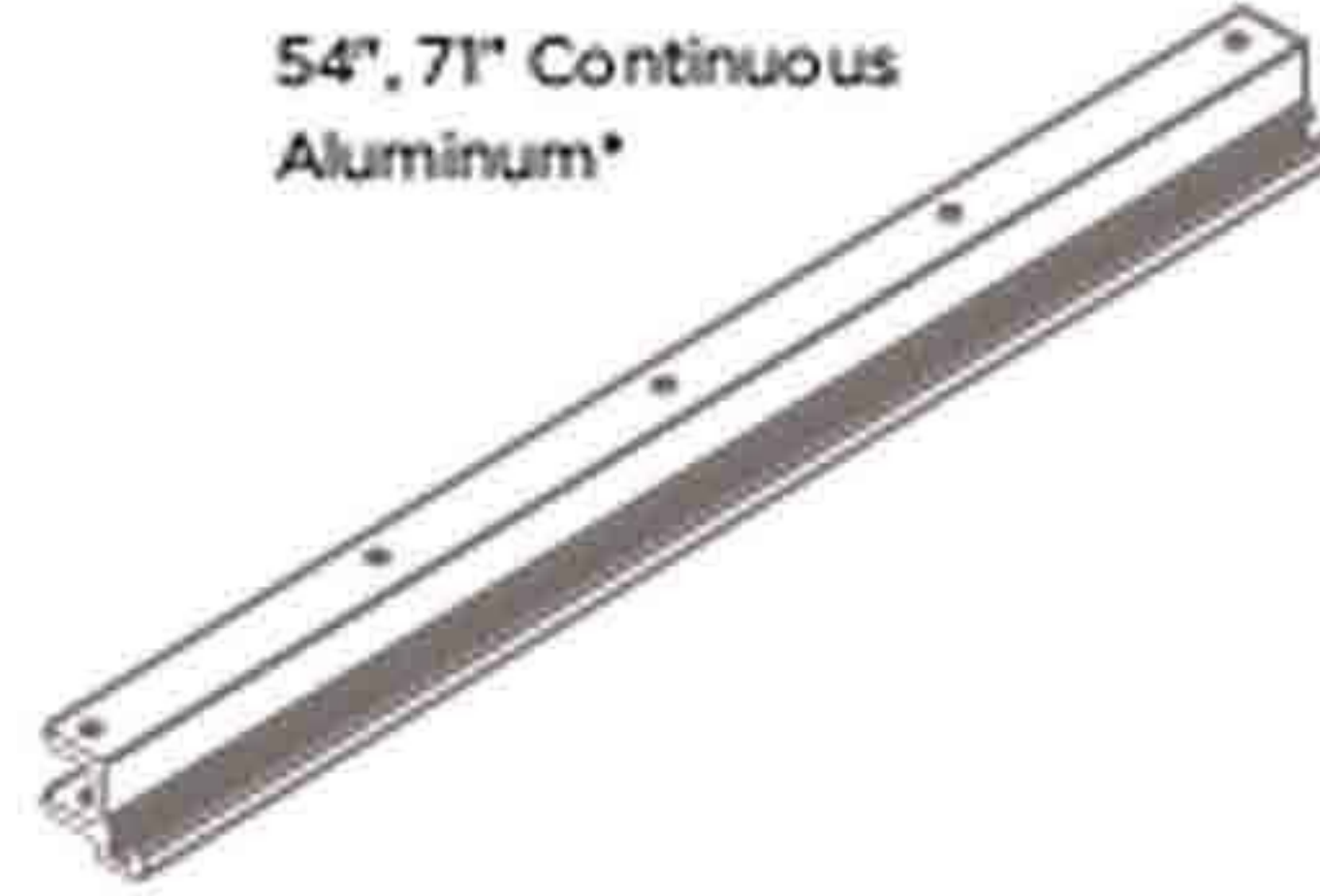


## Strikes

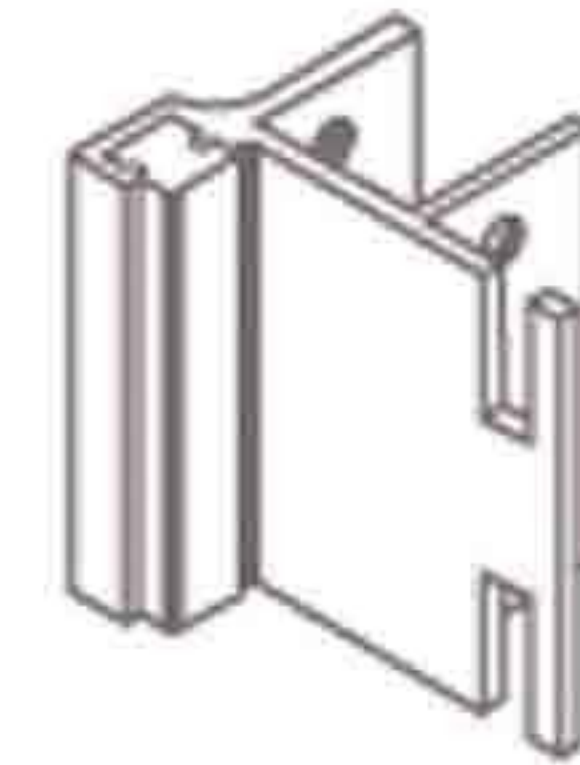
6" Aluminum



54", 71" Continuous  
Aluminum\*

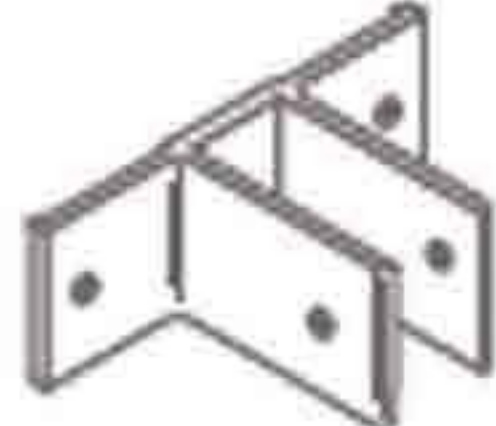


3" Stainless Steel  
emergency access

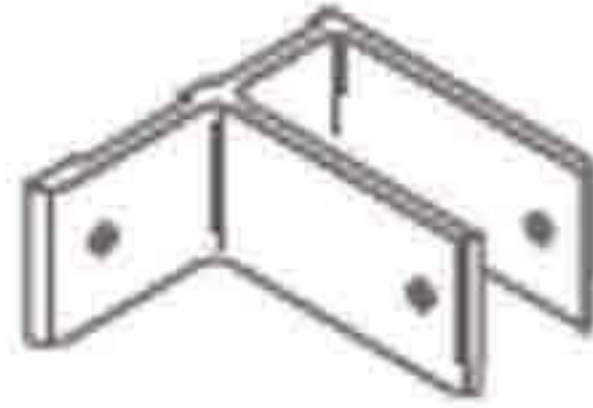


## Stirrup Brackets

Aluminum or  
Stainless Steel  
Double Ear

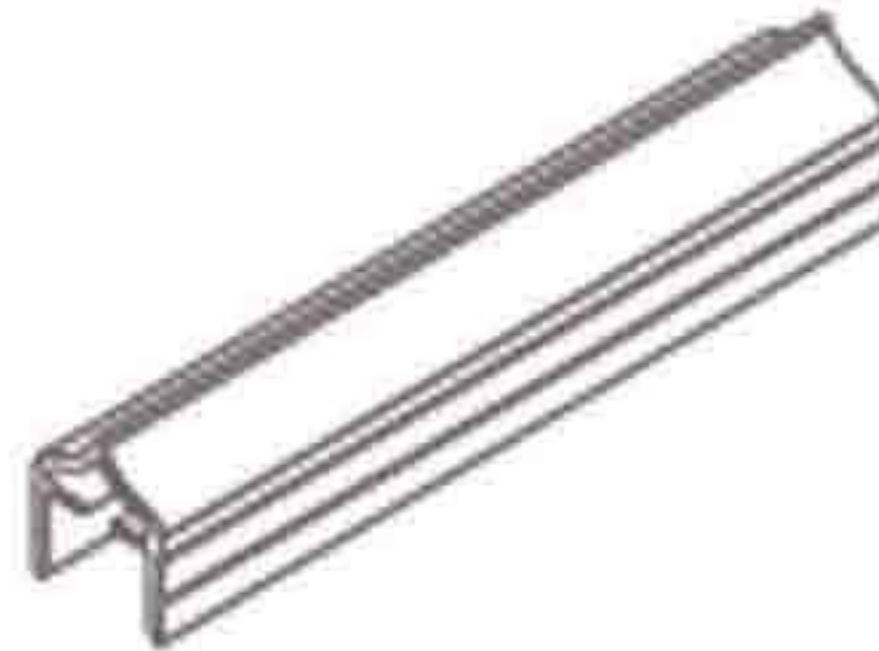


Single Ear



## Head Rail

Aluminum



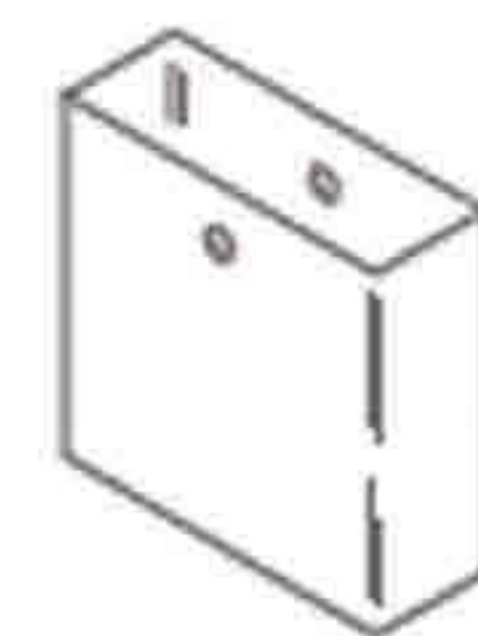
## Latches

Aluminum or  
Stainless Steel\*\*



## Shoes

Plastic Pilaster\*\* Stainless Steel

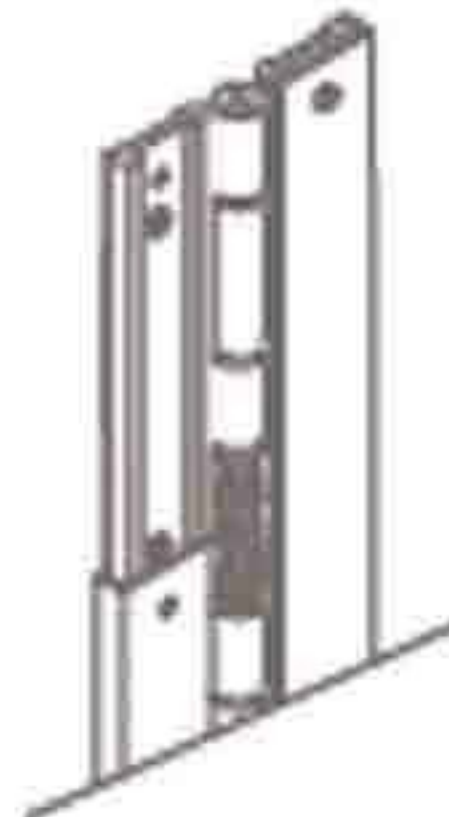


## Hinges

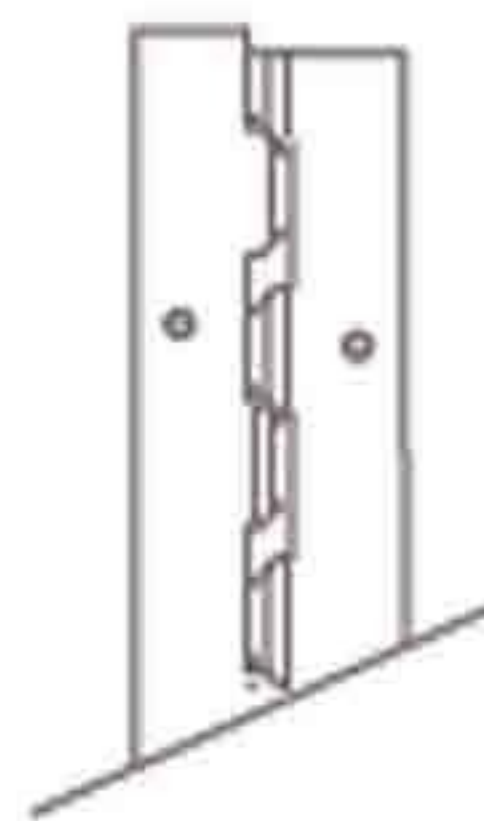
8" Wrap Around



54", 71", 65"  
Continuous  
Aluminum\*



54", 65", Continuous  
Stainless Steel Helix\*



54", Continuous Stainless  
Steel Spring Loaded\*





---

# SUSTAINABILITY

---



[www.cpggreeninitiative.com](http://www.cpggreeninitiative.com)

## EASY ON THE ENVIRONMENT.

As the industry leader in responsible recycling, Scranton Products is committed to reducing industrial waste. Scranton Products reclaims all of its scrap and offcuts into production to create new products and it is also offered in a 100% post consumer product. Incorporating our solid HDPE plastic products can contribute points toward LEED certification.

MADE FROM RECYCLED MATERIALS

IMPROVED AIR QUALITY

NO PAINTING MEANS NO VOC EMISSIONS

CONTAINS 25-100% POST INDUSTRIAL RECYCLED HDPE

AVAILABLE WITH POST CONSUMER CONTENT

100% RECYCLABLE

RESISTS MOLD, MILDEW AND FUNGUS

FACTORY RESPONSIBLE RECYCLING



BATHROOM PARTITIONS  
LOCKERS  
LOCKER ROOM BENCHES  
SHOWER CUBICLES  
DRESSING COMPARTMENTS  
VANITIES

**WE DON'T JUST TALK TOUGH.  
WE BACK IT UP.**

Proudly made in the USA, Scranton Products' brands provide industry-leading protection. Because Scranton Products is so confident that our solid plastic partitions will stand the test of time, they're backed with a full 25-year warranty covering breakage, corrosion and delamination under normal conditions.

Call 800.445.5148 for the Scranton Products sales representative in your area, or visit [scrantonproducts.com](http://scrantonproducts.com).



Scranton Products  
801 E. Corey Street  
Scranton, PA 18505  
800.445.5148  
Fax: 800.551.6993  
[info@scrantonproducts.com](mailto:info@scrantonproducts.com)  
[www.scrantonproducts.com](http://www.scrantonproducts.com)