

Door and Wall Protection

InPro, the industry leader in architectural products, gives you more interior protection product, color and material choices than any other company.

Regardless of the décor, project scope or impact level needed, InPro has you covered.

IPC door and wall protection include everything to keep the interior of buildings looking newer ... longer. We offer the most color choices in the industry and we'll match competitors' colors too.

Your deadlines are our deadlines. No one beats InPro in speed of delivery! Need it faster? *Check out our Quick Ship Products starting on p.17.*



More Green Choices!

Most of our standard interior protection products are available in G2 Blend®, manufactured from reformulated BioPolyPETG+™ material, including handrails, wall guards, corner guards, rigid sheet and door protection.

Learn more on p.5 about EnviroGT™ sustainable building products or visit inprocorp.com/green-building



Wall Protection



InPro can cover your facility floor to ceiling against damage from pedestrians to heavy equipment

p.34
Wall Protection

p.36
Rigid Sheet

p.38
Rubrails/
Diamond Plate

p. 40
Expressions Rigid
Sheet

p.42
Headwalls

p.44
Palladium™ 3D
Wall Systems

p.46
Handrails

p.58
Corner Guards

p.72
Wall Guards

p.86
Chair Rails

Door and Wall
Protection

p.88
Bed Locators

p.90
Door Protection

p.92
eiDoors™

p.98
Color Palettes

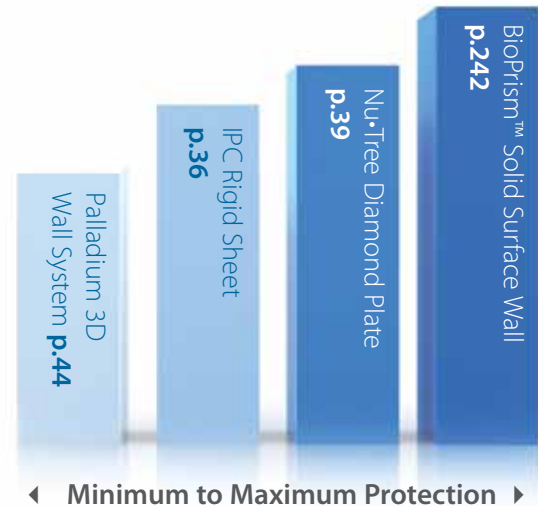
p.102
Product Data

p.107
Tools and Adhesives

p.106
Cost Index

Why do I need wall protection?

The level of wall protection for a facility depends on different factors such as the location or the purpose of the facility. A hallway or corridor in a heavy traffic area commands a higher level of protection than a lounge or lobby may need. A hospital may require sterile surfaces whereas an office building does not. No matter where a wall is located, chances are that it may still experience at least some level of abuse.



Take advantage of the InPro Advantages.



Buy Online

Featuring 24/7 purchasing, order history, tracking and configurations to aid your selection; buying building products online doesn't get much easier. When you see the **blue** ■, visit inprocorp.com to buy online now!



Sustainable Products

EnviroGT™ Sustainable Building products feature materials that reduce the environmental impact, qualifying for LEED® credits and environmental certifications. The **green** ■ lets you know it's "green". See pg.5 to learn more.



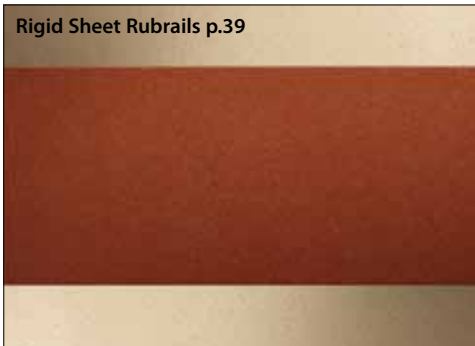
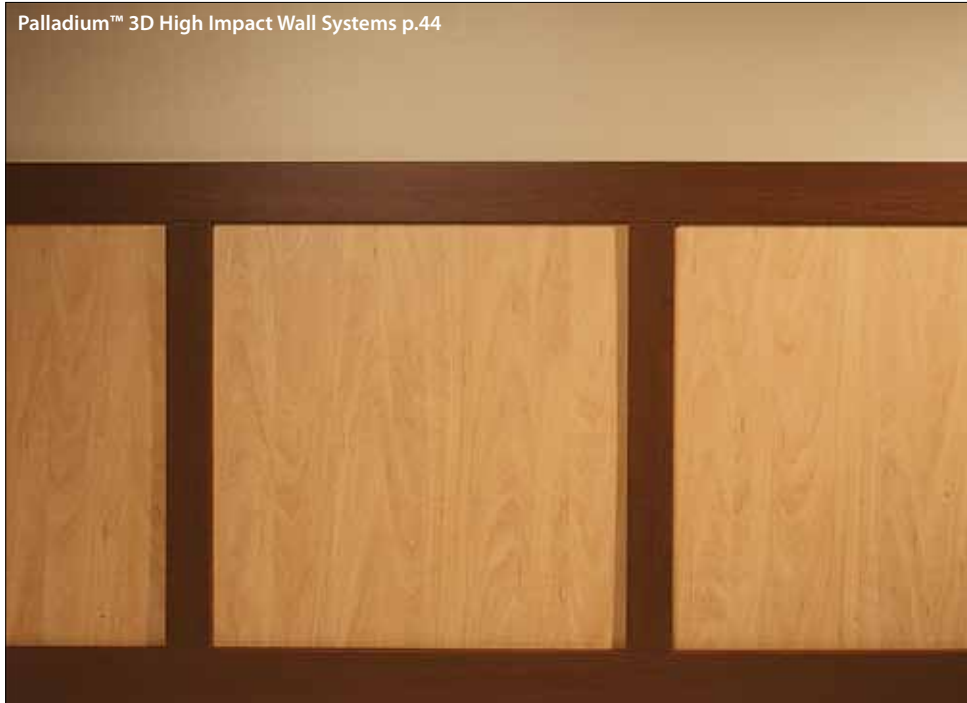
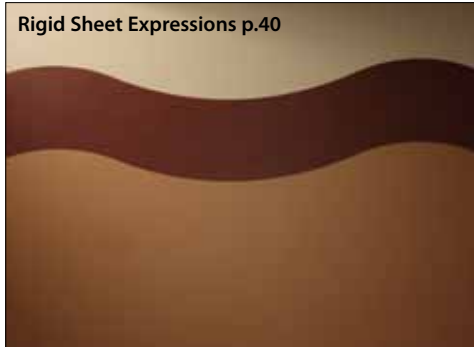
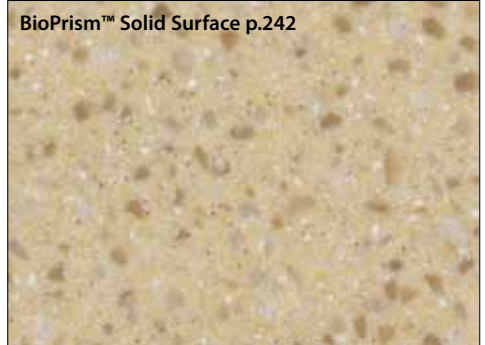
Quick Ship

InPro keeps high volume inventories of many products due largely to on-site manufacturing. When you see a **red** ■ it means we have products on the shelf and ready to ship. See pg.17-24 to learn more.



BIM Objects

BIM objects, or Building Information Models, are available for most InPro products as you plan for your next building project. A growing solution for improving architectural concepts, collaboration and precise construction, BIM objects are available when you see the **yellow** ■. Download objects at inprocorp.com and AutoDesk Seek



Rigid Sheet



Ensures reliable wall protection that is **durable & easy to clean.**

City View Villa, Los Angeles, CA
featuring IPC Rigid Sheet in Woodland in Coffee Bean

Rigid Sheet

- Available in two material options: PVC and G2 Blend® BioPolyPETG+™, and is Class A fire rated.
- Offers a variety of protection levels with four available thicknesses as well as different height and length options
- Provides a seamless appearance with sheet accessories including top caps, divider bars and color-matched caulk.
- Tested and meets GREENGUARD® Environmental Institute's and the state of California's requirements for low emitting products as tested by Air Quality Sciences.
- Standard vinyl and G2 Blend® material meets immediate needs with availability through our Quick Ship program. **Learn more on p.18**



Trim & Accessories



Outside Corner Guard

- 11236 - 1 1/2" x 1 1/2" x 3', 90°
- 11248 - 1 1/2" x 1 1/2" x 4', 90°
- 11296 - 1 1/2" x 1 1/2" x 8', 90°
- 11209 - 1 1/2" x 1 1/2" x 9', 90°
- 11212 - 1 1/2" x 1 1/2" x 12', 90°

Top Cap

- 407 - 8' Length
- 40710 - 10' Length
- 417 - 8' Length (.080" thickness only)

Inside Corner

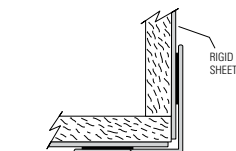
- 409 - 8' Length
- 419 - 8' Length (.080" thickness only)

Divider Bar

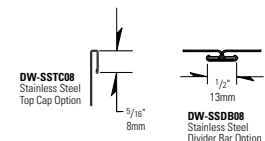
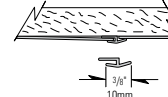
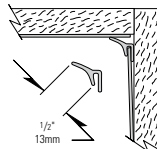
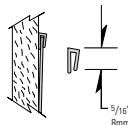
- 408 - 8' length
- 40810 - 10' length
- 418 - 8' length (.080" thickness only)

Stainless Steel Trim

- DW-SSTC08 - 8' Top Cap
- DW-SSDB08 - 8' Divider Bar



USE 525 PL PREMIUM WHEN INSTALLING CORNER GUARD WITHOUT TAPE



p.34
Wall Protection

p.36
Rigid Sheet

p.38
Rubrails/
Diamond Plate

p. 40
Expressions Rigid
Sheet

p.42
Headwalls

p.44
Palladium™ 3D
Wall Systems

p.46
Handrails

p.58
Corner Guards

p.72
Wall Guards

p.86
Chair Rails

Door and Wall
Protection

p.88
Bed Locators

p.90
Door Protection

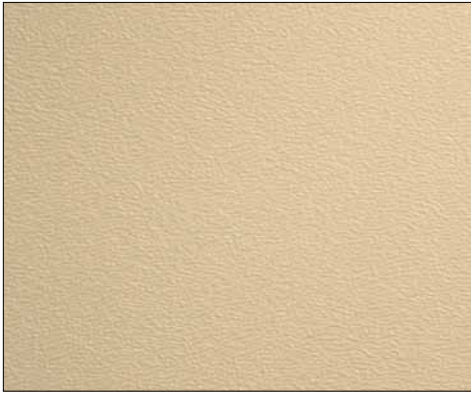
p.92
eiDoors™

p.98
Color Palettes

p.102
Product Data

p.107
Tools and Adhesives

p.106
Cost Index



Rigid Sheet - Solids

- 304* – .030" Thick, 3' x 8', (Optional: 120' roll)
- 305* – .040" Thick, 3' x 8', (Optional: 120' roll)
- 306* – .060" Thick, 3' x 8', (Optional: 80' roll)
- 404* – .030" Thick, 4' x 8', (Optional: 120' roll)
- 405 – .040" Thick, 4' x 8', (Optional: 120' roll)
- 406 – .060" Thick, 4' x 8', (Optional: 80' roll)
- 410* – .080" Thick, 4' x 8', (Optional: 120' roll)
- 30510* – .040" Thick, 3' x 10', (Optional: 120' roll)
- 30610* – .060" Thick, 3' x 10', (Optional: 80' roll)
- 40510* – .040" Thick, 4' x 10', (Optional: 120' roll)
- 40610* – .060" Thick, 4' x 10', (Optional: 80' roll)

*Minimums may apply and product is not returnable. Custom 5' sheets available for PVC only; Rolled sheet is custom, minimums apply and are not returnable.
NOTE: Add prefix "G2" to part number for BioPolyPETG+™ Blend

Material Choices:

PVC (Rigid Vinyl) p.9
G2 Blend® BioPolyPETG+™ p.8

Color Choices:

Standard Colors p.98

Texture Choices:



Pebblette

Velvet (Minimums may apply)

Rigid Sheet - Woodland Patterns

- 405W – .040" Thick, 4' x 8' (Optional: 120' roll)
- 406W – .060" Thick, 4' x 8' (Optional: 80' roll)
- 40510W* – .040" Thick, 4' x 10'
- 40610W* – .060" Thick, 4' x 10'

*Minimums may apply and product is not returnable. Rolled sheet is custom, minimums apply and are not returnable.

Material Choices:

PVC (Rigid Vinyl) p.9

Color Choices:

Woodlands p.101 (PVC Only)

Texture Choices:



Pebblette

Smooth

Rigid Sheet - Element Patterns

- 405E – .040" Thick, 4' x 8' (Optional: 120' roll)
- 406E – .060" Thick, 4' x 8' (Optional: 80' roll)
- 40510E* – .040" Thick, 4' x 10'
- 40610E* – .060" Thick, 4' x 10'

*Minimums may apply and product is not returnable. Rolled sheet is custom, minimums apply and are not returnable.

Material Choices:

PVC (Rigid Vinyl) p.9

Color Choices:

Elements p.100 (PVC Only)

Texture Choices:



Pebblette

Smooth
(5E025 & 5E026 patterns only)

Need a seaming solution?

Easily and economically fill butt joints with vinyl seal from InPro.

580 - Vinyl Seal 10.5 oz. Cartridge

Available in any IPC Standard Colors

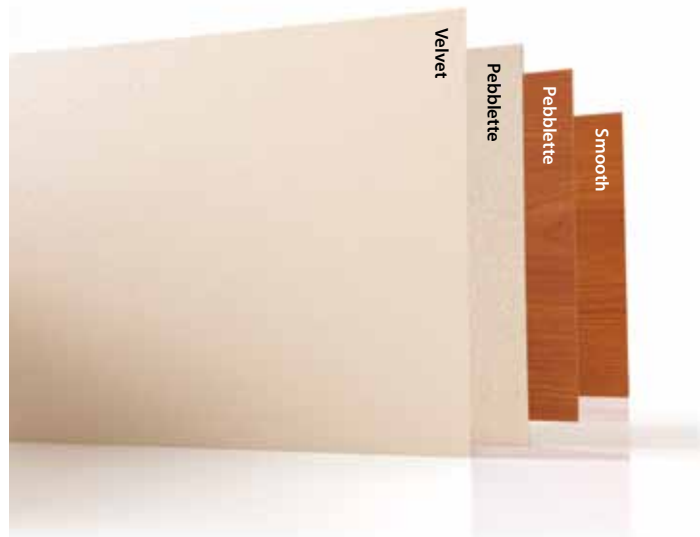


Texture Choices:

Velvet is a fine, subdued texture that is less pronounced than pebblette, plus it is easy to clean. Available in Solid Colors only. Minimums may apply.

Pebblette is InPro's standard, texture with excellent abrasion resistance and defined coverage. Available in Solid Colors, Woodlands and Elements.

Smooth finish is available in Woodland patterns only, offering a look that resembles real wood. Available in Woodlands only. Minimums may apply.



Beadboard Rigid Sheet



Provides a unique appearance with a **decorative beadboard pattern** on IPC Rigid Sheet, ensuring durable reliability!

p.34
Wall Protection

p.36
Rigid Sheet

p.38
Rubrails/
Diamond Plate

p. 40
Expressions Rigid
Sheet

p.42
Headwalls

p.44
Palladium™ 3D
Wall Systems

p.46
Handrails

p.58
Corner Guards

p.72
Wall Guards

p.86
Chair Rails

Door and Wall
Protection

p.88
Bed Locators

p.90
Door Protection

p.92
eiDoors™

p.98
Color Palettes

p.102
Product Data

p.107
Tools and Adhesives

p.106
Cost Index

A. 2600 Chair Rail p.86 | B. IPC Rigid Beadboard
C. 160 Corner Guard p.64



Beadboard Rigid Sheet

- Provides a unique appearance with decorative beadboard pattern on IPC Rigid Sheet
- Ensures the same reliable wall protection as standard IPC Rigid Sheet which is durable, longer lasting and easier to clean than paint
- Available in standard Pebblette texture, Velvet texture and Smooth Woodland finish.

Material Choices:

PVC (Rigid Vinyl) p.9
G2 Blend® BioPolyPETG+™ ■ p.8

Color Choices:

Standard Colors p.98
Woodlands p.101 (PVC Only)
Elements p.100 (PVC Only)



Glengarriff Healthcare Center, Glen Cove, NY

A. 2700W Chair Rail p.86 | B. IPC Rigid Woodland Beadboard

Floor to Ceiling ■■

BB-405-FC – .040" Thick, approx. 94"h x 44"w
BB-406-FC – .060" Thick, approx. 94"h x 44"w

Full Wainscot ■■

BB-405-FW – .040" Thick, approx. 47½"h x 94"w
BB-406-FW – .060" Thick, approx. 47½"h x 94"w

Half Width Wainscot

BB-405-HW – .040" Thick, approx. 47½"h x 44"w
BB-406-HW – .060" Thick, approx. 47½"h x 44"w

Add prefix "G2" to part number for G2 Blend® BioPolyPETG+™.

Beadboard is a custom product and is not returnable.

* Woodlands and Vertical Grains.

Wall Protection



Rubrils

- Achieve a professional look with factory beveled top/bottom edges.
- Offer the same protection levels as IPC Rigid Vinyl Sheet.
- Affix with 3M Fastbond 30, InPro Bond Adhesive or XT-2000+ adhesive.

R4 – .040" Thick, 4" to 24" High x 96" Long

R6 – .060" Thick, 4" to 24" High x 96" Long

R8* – .080" Thick, 4" to 24" High x 96" Long

Add prefix "G2" to part number for BioPolyPETG+™ Blend.

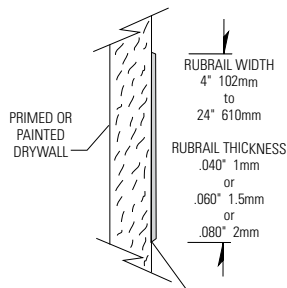
Rubrils are custom products and are not returnable. *Minimum orders apply for .080" thickness.

Color Choices:

Standard Colors p.98

Woodlands p.101 (PVC Only)

Elements p.100 (PVC Only)



Nu-Tree Diamond Plate

- Durable diamond plated design is manufactured from Medium Density Polyethylene (MDPE), providing heavy-duty protection in areas such as back-of-house and loading docks.
- Sheets are easy to cut and mount to the wall with fasteners.

NT-DP4896-BLK – 3/16" thick, 4' x 8'

NT-DP4896-GRY – 3/16" thick, 4' x 8'

Color Choices:



Gray



Black

BioPrism™ Solid Surface

- BioPrism™ Solid Surface wall panels are ideal for showers, lobby desks and nurse's stations.
- Surface is easy to clean, non-porous and does not promote the growth of mold, mildew or bacteria. *Learn more on pg. xx*

Standard Thickness: 1/4", 1/2", 3/4"

Custom sheet sizes: Up to 48" x 144" (4' x 12')

BioPrism™ Solid Surface is a custom product. Minimum orders may apply and product is not returnable.

Color Choices: p.266

Expressions Rigid Sheet



Al duPont Hospital for Children, Wilmington, DE
featuring InPro Expressions

Designs for inspiration.

Add festive or classic contemporary aesthetics to your environment.

Choose a design from InPro or create your own.

for healthcare

- Protect your walls with flare by combining your custom design with InPro's ability to cut shapes out of IPC Rigid Sheet.
- Design templates from InPro can be used in healthcare, day care, school campuses and more to create the environment you are looking for.

Material Choices:

PVC (Rigid Vinyl) p.9
G2 Blend® BioPolyPETG+™ p.8
Standard thickness: .040", .060"

Expressions are custom products and are not returnable.

Color Choices:

Standard Colors p.98
Woodlands p.101 (PVC only)
Elements p.100 (PVC only)



Corridor
featuring IPC Expressions



Patient Room
featuring IPC Expressions Headboard



Nurse's Station at St. Louis Children's Hospital, St. Louis, MO
featuring IPC Expressions

Door and Wall Protection

p.34
Wall Protection

p.36
Rigid Sheet

p.38
Rubrails/
Diamond Plate

p. 40
Expressions Rigid
Sheet

p.42
Headwalls

p.44
Palladium™ 3D
Wall Systems

p.46
Handrails

p.58
Corner Guards

p.72
Wall Guards

p.86
Chair Rails

p.88
Bed Locators

p.90
Door Protection

p.92
eiDoors™

p.98
Color Palettes

p.102
Product Data

p.107
Tools and Adhesives

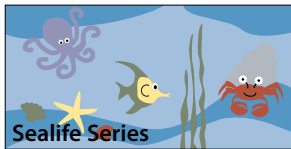
p.106
Cost Index



Expressions Rigid Sheet

Early Childhood Development, Springfield, MO
featuring IPC Expressions

for education



Sealife Series



Alphabet Series



Safari Series

InPro University, Muskego, WI
featuring IPC Expressions



InPro University, Muskego, WI
featuring IPC Expressions



Goddard Early Childhood Center, Denver, CO
featuring IPC Expressions

NEW! Headwalls



Salina Regional Health Center, Salina, KS
Featuring Headwalls in Woodland pattern

Design headwalls in countless ways

Headboards

- Custom built to order specifications
- Protects against damage from rolling beds, IV carts and other equipment
- Available in multiple colors and aesthetics

Material Choices:

PVC (Rigid Vinyl) p.9
G2 Blend® BioPolyPETG+™ p.8

Color Choices:

Standard Colors p.98
Woodlands p.101 (PVC Only)
Elements p.100 (PVC Only)



Salina Regional Health Center, Salina, KS
Featuring Headwalls in Woodland pattern



St. John's Rehabilitation, St. Louis, MO
Featuring Headwalls in Woodland pattern

p.34
Wall Protection

p.36
Rigid Sheet

p.38
Rubrails/
Diamond Plate

p. 40
Expressions Rigid
Sheet

p.42
Headwalls

p.44
Palladium™ 3D
Wall Systems

p.46
Handrails

p.58
Corner Guards

p.72
Wall Guards

p.86
Chair Rails

Door and Wall
Protection

p.88
Bed Locators

p.90
Door Protection

p.92
eiDoors™

p.98
Color Palettes

p.102
Product Data

p.107
Tools and Adhesives

p.106
Cost Index



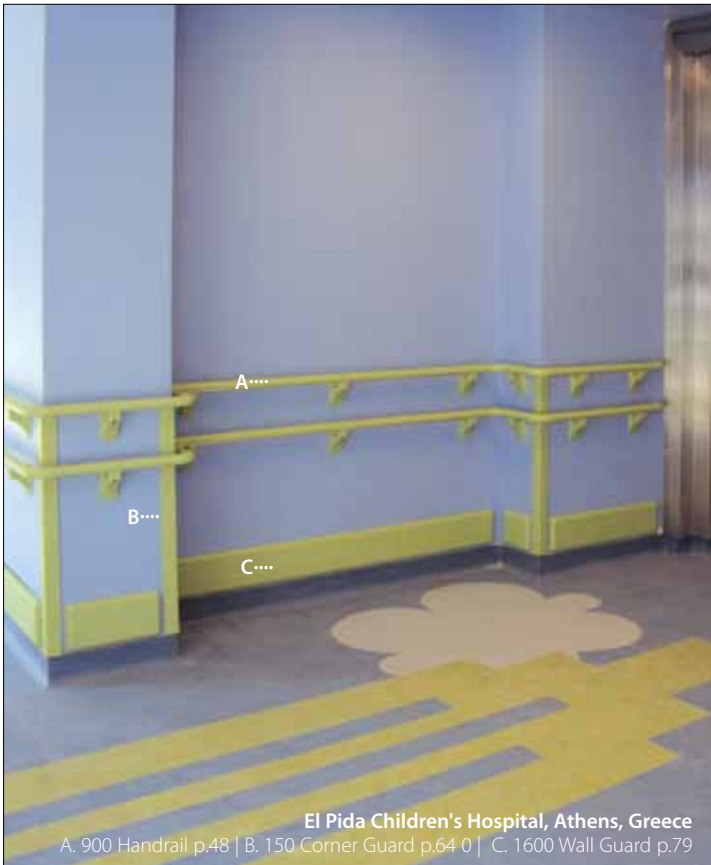
Pediatric Exam Room

A. Rigid Sheet p.36 | B. 3500 Handrail p.53
C. 1700 Wall Guard p.80



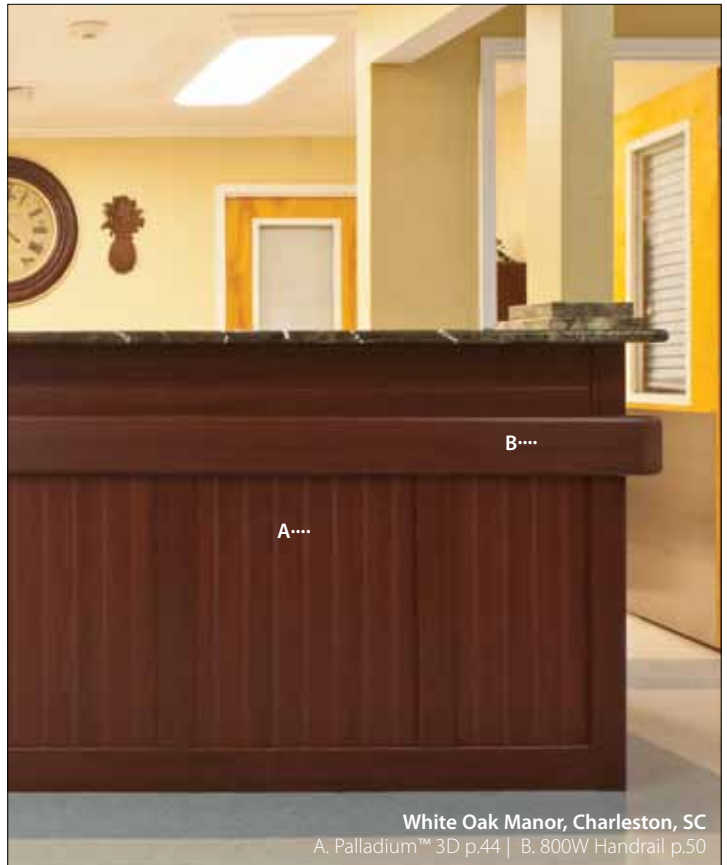
Adventist Bolingbrook Hospital, Bolingbrook, IL

A. 3500 Handrail p.53 | B. IPC Rigid Sheet p.36
C. 150 Corner Guard p.64 | D. 700 Wall Guard p.80



El Pida Children's Hospital, Athens, Greece

A. 900 Handrail p.48 | B. 150 Corner Guard p.64 | C. 1600 Wall Guard p.79



White Oak Manor, Charleston, SC

A. Palladium™ 3D p.44 | B. 800W Handrail p.50

Palladium 3D™



High Impact Wall Systems



Before

- p.34 Wall Protection
- p.36 Rigid Sheet
- p.38 Rubrails/ Diamond Plate
- p. 40 Expressions Rigid Sheet
- p.42 Headwalls
- p.44 Palladium™ 3D Wall Systems
- p.46 Handrails
- p.58 Corner Guards
- p.72 Wall Guards
- p.86 Chair Rails

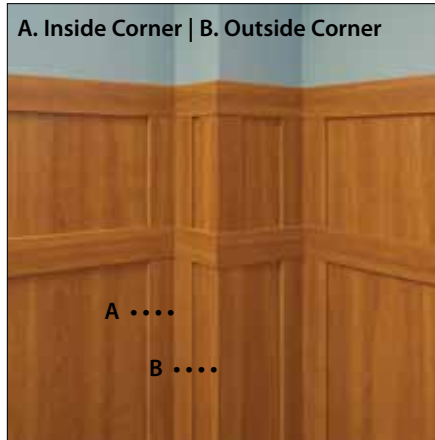
Door and Wall Protection

- p.88 Bed Locators
- p.90 Door Protection
- p.92 eiDoors™
- p.98 Color Palettes
- p.102 Product Data
- p.107 Tools and Adhesives
- p.106 Cost Index

Factory Finished Edge



A. Inside Corner | B. Outside Corner



Accent Trim Pieces



Palladium™ 3D High Impact Wall Systems ■

- Ideal for high traffic areas, Palladium™ 3D provides a low-maintenance system that coordinates with existing door and wall protection products for an integrated facility solution.
- Palladium™ 3D combines the durable protection of .040 rigid sheet membrane and MDF board to withstand daily abuse from wheelchairs, carts, luggage, beds and more.
- MDF board is 100% pre-consumer recycled wood fiber, containing no added urea-formaldehyde or urea-formaldehyde resin.
- Offers LEED® credit support for IEQ 4.4 low-emitting materials.
- Class A fire rated.



Material Choices:

PVC (Rigid Vinyl) p.9
G2 Blend® BioPolyPETG+™ ■ p.8

Color Choices:

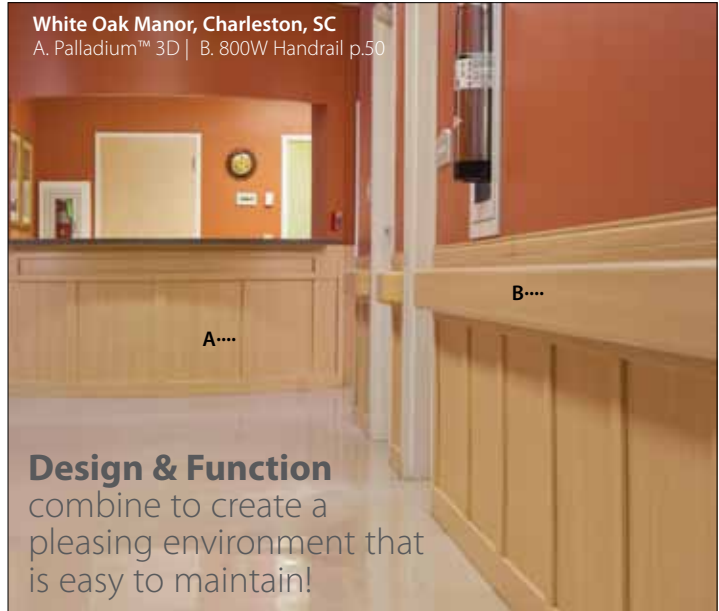
Standard Colors p.98
Woodlands p.101 (PVC Only)
Elements p.100 (PVC Only)



A pre-matched fill stick is available to fill finish nails.



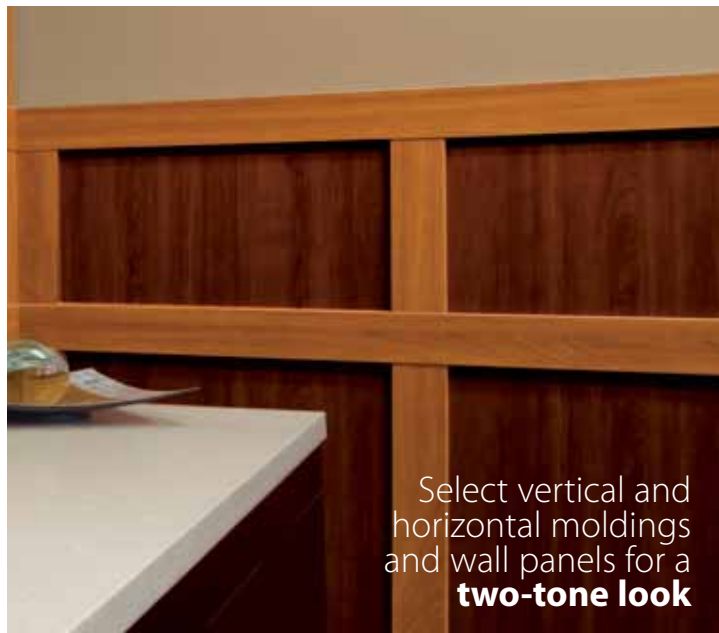
White Oak Manor, Charleston, SC
A. Palladium™ 3D | B. 800W Handrail p.50



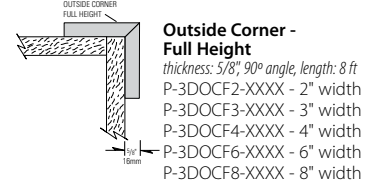
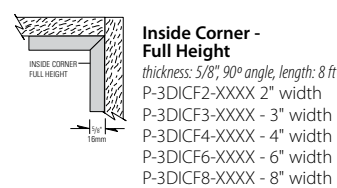
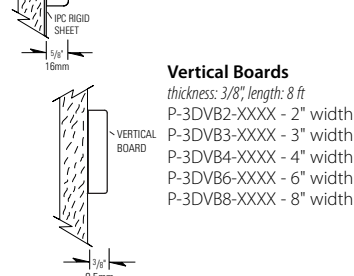
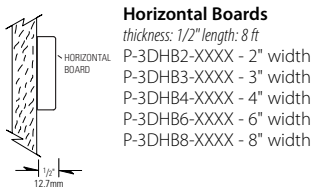
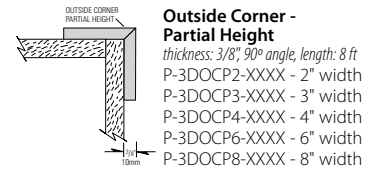
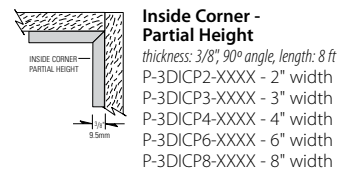
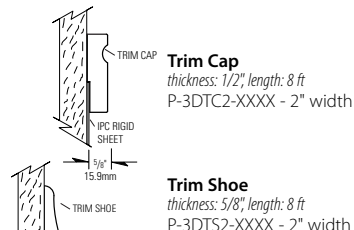
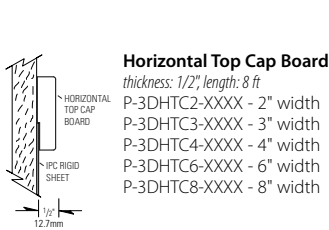
Design & Function
combine to create a
pleasing environment that
is easy to maintain!



White Oak Manor, Charleston, SC
A. Palladium™ 3D | B. 800W Handrail | C. Beadboard p.38



Select vertical and
horizontal moldings
and wall panels for a
two-tone look



NOTE: Add prefix "G2" to part number for BioPolyPETG+™ Blend™. *Custom sizes available.. XXXX denotes IPC Color #

Handrails

p.34
Wall Protection

p.36
Rigid Sheet

p.38
Rubrails/
Diamond Plate

p. 40
Expressions Rigid
Sheet

p.42
Headwalls

p.44
Palladium™ 3D
Wall Systems

p.46
Handrails

p.58
Corner Guards

p.72
Wall Guards

p.86
Chair Rails



INSIDE CORNER

Inside Corner provides a smooth transition for corner applications.

SPLICE

Splice needed for installations that are over 12' long.

MOUNTING BRACKET

Mounting Bracket keeps hands a safe distance from wall.

VINYL COVER

Vinyl Cover is available in a variety of colors to coordinate with other interior finishes.

ALUMINUM RETAINER

Aluminum Retainer provides strong support and structural stability.

RETURN

Return finishes the handrail installation for a professional look.

OUTSIDE CORNER

Outside Corner allows for continuous grip and uninterrupted transition.

Solve pedestrian safety concerns with a variety of ADA and ANSI compliant handrails

Door and Wall Protection

p.88
Bed Locators

p.90
Door Protection

p.92
eiDoors™

p.98
Color Palettes

p.102
Product Data

p.107
Tools and Adhesives

p.106
Cost Index

Why do I need handrails?

- An InPro handrail is engineered to provide an ideal hand grasp while protecting interior walls from damage.
- Provide comfortable and functional gripping surface with ergonomically designed thumb groove on select handrails.
- Seams are minimized with standard 12' lengths.
- Vinyl and G2 Blend® profiles are GREENGUARD® certified.



Feeling Groovy?

Learn more about the 3000 series with a Woodland Finish and optional thumb groove on p.54

Take advantage of the InPro Advantages.



Buy Online

Featuring 24/7 purchasing, order history, tracking and configurations to aid your selection; buying building products online doesn't get much easier. When you see the **blue** ■, visit inprocorp.com to buy online now!



Sustainable Products

EnviroGT™ Sustainable Building products feature materials that reduce the environmental impact, qualifying for LEED® credits and environmental certifications. The **green** ■ lets you know it's "green". See pg.5 to learn more.



Quick Ship

InPro keeps high volume inventories of many products due largely to on-site manufacturing. When you see a **red** ■ it means we have products on the shelf and ready to ship. See pg.17-24 to learn more.



BIM Objects

BIM objects, or Building Information Models, are available for most InPro products as you plan for your next building project. A growing solution for improving architectural concepts, collaboration and precise construction, BIM objects are available when you see the **yellow** ■. Download objects at inprocorp.com and AutoDesk Seek

Handrail Overview

A **cost index** percentage is based on our most popular product, the 800 Handrail, and provides you with an average measure of cost when considering the best solution for your plans or facility.

See p.107 for more information.

900 Handrail p.48

Cost index = 48



2000 Handrail p.49

Cost index = 67



4000 Handrail p.49

Cost index = 69



G2-4100 Handrail p.49

Cost index = 258



HR9 Handrail p.48

Cost index = 258



800 Handrail p.50

Cost index = 100



855 Handrail p.50

Cost index = 126



1100 Handrail p.51

Cost index = 105



1200 Handrail p.51

Cost index = 115



3000 Handrail p.54

Cost index = 129



3055W Handrail p.54

Cost index = 277



3500WV Handrail p.53

Cost index = 377



Northern Hardwood™ Handrail p.56

Cost index = 309



L1 Leaning Rail p.55

Cost index = 303



Handrails



p.34
Wall Protection

p.36
Rigid Sheet

p.38
Rubrails/
Diamond Plate

p. 40
Expressions Rigid
Sheet

p.42
Headwalls

p.44
Palladium™ 3D
Wall Systems

p.46
Handrails

p.58
Corner Guards

p.72
Wall Guards

p.86
Chair Rails

Door and Wall
Protection

p.88
Bed Locators

p.90
Door Protection

p.92
eiDoors™

p.98
Color Palettes

p.102
Product Data

p.107
Tools and Adhesives

p.106
Cost Index



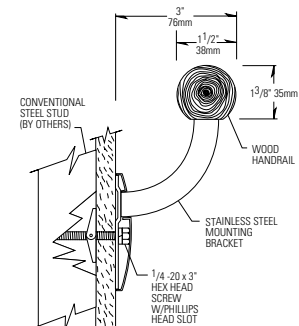
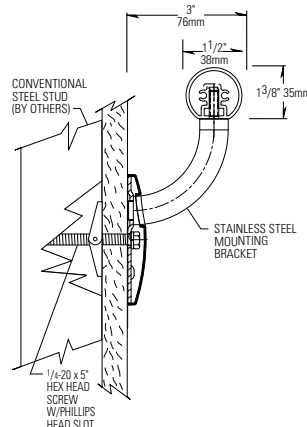
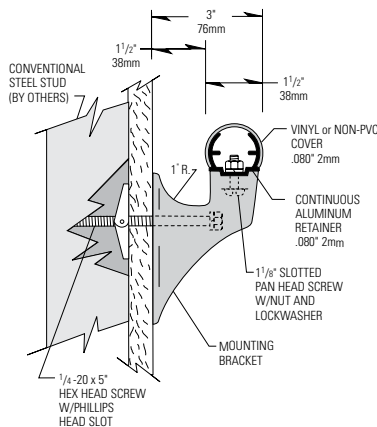
900 1 1/2" grip



900M 1 1/2" grip

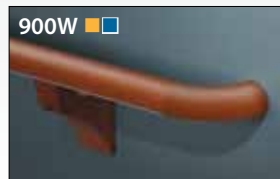


HR9 1 1/2" grip



- Provides a round surface for easy gripping ability and complies with ADA and ANSI safety codes.
- Part of the Silhouette handrail series, the 900 handrail can be used as a standalone handrail or as the top gripping surface for the 3500 Silhouette handrail series (p.52), also coordinating with three styles of Silhouette wall guards (p.81).

900 – 1 1/2" dia. Handrail with .080" cover ■
 900W – 1 1/2" dia. Handrail with .080" cover Woodland Full Wrap
 909 – Mounting Bracket
 909SS – Stainless Steel Mounting Bracket
 902 – Left Return
 903 – Right Return
 904 – Inside/Outside Corner
 904135 – 135° Inside/Outside Corner
 906 – Splice



Material Choices:
 PVC (Rigid Vinyl) p.9
 G2 Blend® BioPolyPETG+™ ■ p.8

Color Choices:
 Standard Colors p.98
 Woodlands I p.101 (PVC Only)

- Provides a round surface for easy gripping ability and complies with ADA and ANSI safety codes.
- Part of the Silhouette handrail series, the 900 handrail can be used as a standalone handrail or as the top gripping surface for the 3500 Silhouette handrail series (p.52), also coordinating with three styles of Silhouette wall guards (p.81).

900M – 1 1/2" dia. Handrail with Powder Coat Metal Frame
 909 – Mounting Bracket
 909SS – Stainless Steel Mounting Bracket
 902 – Left Return
 903 – Right Return
 904 – Inside/Outside Corner
 904135 – 135° Inside/Outside Corner
 906M – Splice



Material Choices:
 Powder-coated Metal Frame

Color Choices:
 Metal Tones p.101

- Provides a round surface for easy gripping ability.
- Meets safety codes with ADA and ANSI compliance.
- Perfectly suited for elegant applications in low abuse areas.

HR9 - 1 1/8" Height w/ 1 1/2" Grip
 RC9SS - Stainless Steel Return/Corner
 RC90 - Oak Return/Corner
 RC9M - Maple Return/Corner
 SPL9SS - Stainless Steel Splice
 910SS - Stainless Steel Bracket
 912 - Plastic Bracket

Silhouette handrails are custom products and are not returnable.

Material Choices:
 Bamboo-Natural or Carbonized
 Red Oak
 Maple
 FSC Ash - Certified by the Forest Stewardship Council
 Unfinished Poplar

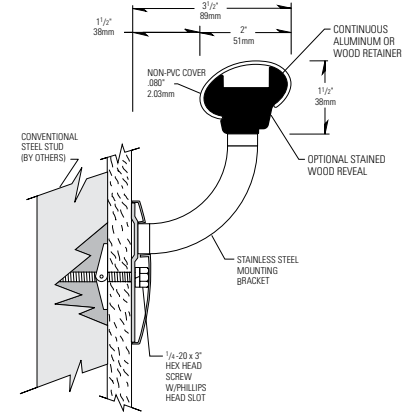
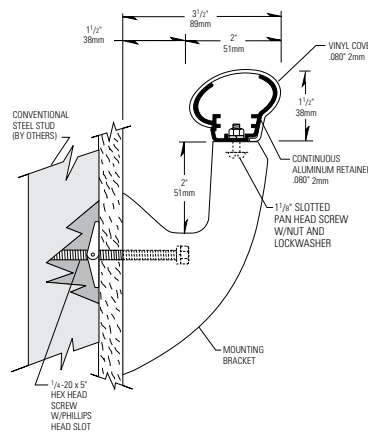
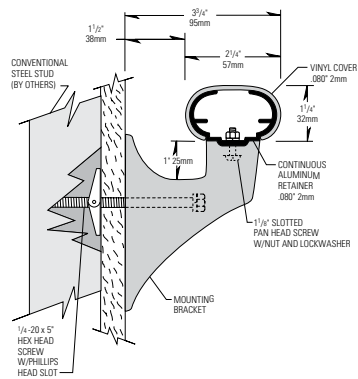
Stain Color Choices:
 Northern Hardwoods™ p.100

HR9 Handrail Options:



910SS 912 RC90 RC9SS

Handrails



- Provides forearm support with a unique, flat surface that complies with ADA and ANSI safety codes.
- Standard 12' lengths minimize seams.

2000 – 1 1/4" H w/ 2 1/4" Grip with .080" Cover
 2000W – 1 1/4" H w/ 2 1/4" Grip-Woodland Full Wrap
 2001 – Mounting Bracket
 2001SS – Stainless Steel Mounting Bracket
 2002 – Left Return
 2003 – Right Return
 2004 – Inside/Outside Corner
 2004135 – 135° Inside/Outside Corner
 906 – Splice



NOTE: Add prefix "G2" to part number for BioPolyPETG+™ Blend



Material Choices:
 PVC (Rigid Vinyl) p.9
 G2 Blend® BioPolyPETG+™ p.8

Color Choices:
 Standard Colors p.98
 Woodlands I p.101 (PVC Only)

- Extended returns provide a sleek, innovative look.
- G2-4000W: Manufactured from non-PVC and Forest Stewardship Council (FSC) certified wood for an environmental alternative.

4000 – 1 1/2" H w/ 2" Grip with .080" Cover
 G2-4000 – 1 1/2" H w/ 2" Grip with aluminum retainer
 G2-4000W – 1 1/2" H w/ 2" Grip with wood retainer
 4002 – Left Return
 4003 – Right Return
 4004 – Outside Corner
 4004135 – 135° Outside Corner
 4005 – Inside Corner
 4005135 – 135° Inside Corner
 906 – Handrail Splice
 4001 – Mounting Bracket
 4018SS – Stainless Steel Mounting Bracket w/ Plastic Base
 4001SS – Stainless Steel Mounting Bracket
 NOTE: Add prefix "G2" to part number for BioPolyPETG+™ Blend

Material Choices:
 PVC (Rigid Vinyl) p.9
 G2 Blend® BioPolyPETG+™ p.8

Color Choices:
 Standard Colors p.98

Bracket Choices:



4001SS 4018SS 4001

- Wood accent strip adds a decorative or wayfinding element available in unfinished poplar or in red oak, maple or FSC Ash, each available in many stain colors (p.101)

G2-4100 – 1 1/2" H w/ 2" Grip with .080" Cover and Wood Stained Accent
 4001 – Mounting Bracket
 4018SS – Stainless Steel Mounting Bracket with Plastic Base
 4001SS – Stainless Steel Mounting Bracket
 G2-4102 – Left Return
 G2-4103 – Right Return
 G2-4104 – Outside Corner
 G2-4104135 – 135° Outside Corner
 G2-4105 – Inside Corner
 G2-4105135 – 135° Inside Corner
 G2-4006 – Handrail Splice

G2-4100 is a custom products and not returnable.

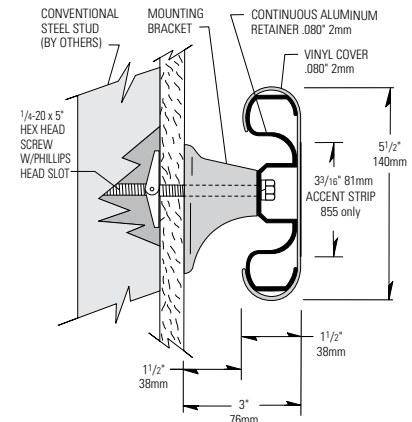
Material Choices:
 G2 Blend® BioPolyPETG+™ p.8

Color Choices:
 Standard Colors p.98
 Northern Hardwoods™ p.101

Handrails



Methodist Willowbrook Hospital, Houston, TX
A. 800 Handrail



800 ■ ■ ■ ■
1 1/2" grip



855 ■ ■ ■ ■
1 1/2" grip



800W ■ ■ ■ ■
1 1/2" grip

- Traditionally styled 800 handrail provides protection for the wall and support for users with easy installation.
- Meet safety codes with ADA and ANSI compliance.
- Standard 12' lengths minimize seams.
- Vinyl and non-PVC profiles are GREENGUARD® certified.
- Available through quick Ship program to meet immediate needs.

800 – 5 1/2" Height with .080" cover and .080" ■ continuous aluminum retainer
 801 – Mounting Bracket
 802 – Return
 803 – Outside Corner
 803135 – 135° Outside Corner
 804 – Splice
 805 – Inside Corner
 805135 – 135° Inside Corner
NOTE: Add prefix "G2" to part number for BioPolyPETG+™ Blend

Material Choices:
 PVC (Rigid Vinyl) p.9
 G2 Blend® BioPolyPETG+™ ■ p.8

Color Choices:
 Standard Colors p.98

- 855 Handrail features a wayfinding accent strip available in an expanded selection of colors and patterns.

855* – 5 1/2" Height with .080" cover and Accent Strip and .080" continuous aluminum retainer
 801 – Mounting Bracket
 802 – Return
 803 – Outside Corner
 803135 – 135° Outside Corner
 804 – Splice
 805 – Inside Corner
 805135 – 135° Inside Corner
**855 Handrail is a custom product. Minimum orders apply. Product is not returnable.*

Material Choices:
 PVC (Rigid Vinyl) p.9
 G2 Blend® BioPolyPETG+™ ■ p.8

Color Choices:
 Standard Colors p.98
 Woodland I & II (accent strip) p.101 (PVC Only)
 Elements (accent strip) p.100 (PVC Only)

- 800W handrail combines the warmth of woodgrain with traditional style.
- Available in several patterns from Woodland I color palette.

800W – 5 1/2" Height w/ Woodland Full Wrap with .080" cover and .080" continuous aluminum retainer
 801W – Mounting Bracket
 802W – Return
 803W – Outside Corner
 803135W – 135° Outside Corner
 804 – Splice
 805W – Inside Corner
 805135W – 135° Inside Corner

Material Choices:
 PVC (Rigid Vinyl) p.9

Color Choices:
 Woodlands I p.101 (PVC Only)

When safety matters

Specifically designed to keep behavioral health patients out of harms way, our **Continuous Mounting Bracket** eliminates the gap between drywall and handrail by providing a wood fill along the entire length of the 800 and 1200 handrails.



p.34
Wall Protection

p.36
Rigid Sheet

p.38
Rubrails/
Diamond Plate

p. 40
Expressions Rigid
Sheet

p.42
Headwalls

p.44
Palladium™ 3D
Wall Systems

p.46
Handrails

p.58
Corner Guards

p.72
Wall Guards

p.86
Chair Rails

Door and Wall
Protection

p.88
Bed Locators

p.90
Door Protection

p.92
eiDoors™

p.98
Color Palettes

p.102
Product Data

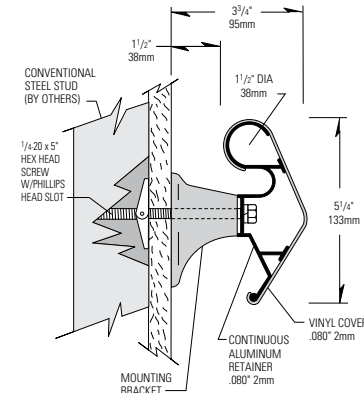
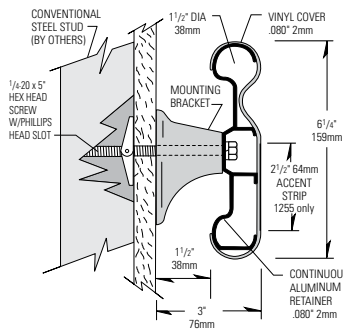
p.107
Tools and Adhesives

p.106
Cost Index

Handrails



Thumb groove ergonomically designed for better grip



- 1200 Handrail meets safety codes with ADA and ANSI compliance.
- Minimize seams with standard 12' lengths.
- Vinyl and non-PVC profiles are GREENGUARD® certified.
- Continuous mounting bracket is available to address safety issues for behavioral health patients by eliminating gap between the wall and handrail. *See left photo*

1200 – 6 1/4" Height with .080" cover and .080" continuous aluminum retainer
 801 – Mounting Bracket
 1202 – Left Return
 1203 – Right Return
 1204 – Outside Corner
 1204135 – 135° Outside Corner
 1205 – Inside Corner
 1205135 – 135° Inside Corner
 804 – Splice

NOTE: Add prefix "G2" to part number for BioPolyPETG+™ Blend

Material Choices:

PVC (Rigid Vinyl) p.9
 G2 Blend® BioPolyPETG+™ p.8

Color Choices:

Standard Colors p.98

- 1255 Handrail adds a wayfinding element with an accent strip available in an expanded selection of colors and patterns.

1255* – 6 1/4" Height Handrail w/ Accent Strip with .080" cover and .080" continuous aluminum retainer
 801 – Mounting Bracket
 1202 – Left Return
 1203 – Right Return
 1204 – Outside Corner
 1204135 – 135° Outside Corner
 1205 – Inside Corner
 1205135 – 135° Inside Corner
 804 – Splice

NOTE: Add prefix "G2" to part number for BioPolyPETG+™ Blend

**1255 is a custom product. Minimum orders apply and product is not returnable.*

Material Choices:

PVC (Rigid Vinyl) p.9
 G2 Blend® BioPolyPETG+™ p.8

Color Choices:

Standard Colors p.98
 Woodland I & II (accent strip) p.101 (PVC Only)
 Elements (accent strip) p.100 (PVC Only)

- 1100 Handrail offers an angular surface to expand wall protection while providing easy gripping ability.
- Meets safety codes with ADA and ANSI compliance.

1100 – 5 1/4" Height Handrail with .080" cover and .080" continuous aluminum retainer
 801 – Mounting Bracket
 1102 – Left Return
 1103 – Right Return
 1104 – Outside Corner
 804 – Splice

NOTE: Add prefix "G2" to part number for BioPolyPETG+™ Blend

Material Choices:

PVC (Rigid Vinyl) p.9
 G2 Blend® BioPolyPETG+™ p.8

Color Choices:

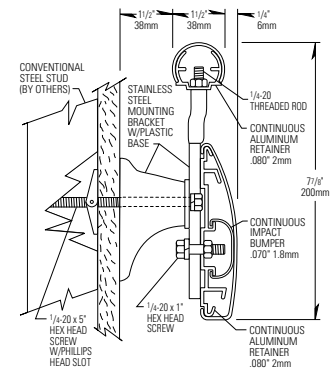
Standard Colors p.98

Silhouette Handrails



A. 3500 Silhouette Handrail | B. 1300 Wall Guard p. 74

Choose from more than **17,442 combinations** of colors, patterns and materials!



Material Choices:

PVC (Rigid Vinyl) p.9
 G2 Blend® BioPolyPETG+™ p.8
 Bamboo-Natural or Carbonized
 Red Oak
 Maple
 FSC Ash - Certified by the Forest Stewardship Council
 Unfinished Poplar
 Powder-coated aluminum
 Stainless Steel (base)
 Woodlands I p.101 (PVC Only)

Color Choices:

Standard Colors p.98
 Woodlands p.101 (PVC only)
 Northern Hardwoods™ p.100
 Metal Tones p.101 (PVC Only)

- Silhouette handrails are engineered to provide an ultimate hand grasp for all users while protecting interior walls from damage by providing an expanded impact surface.
- Wall guard extends beyond the handrail to deliver superior impact protection.
- Offers a European design with a stainless steel bracket.
- Select from HR9 and 900 models as top of handrail options. A member of the Silhouette handrail family, the HR9 and 900 handrails can also be used as a standalone handrail in addition to the top gripping surface for the 3500 Silhouette handrail series (p.52).
- Meets safety codes with ADA and ANSI compliance.
- Vinyl and non-PVC profiles are GREENGUARD® certified.



p.34
Wall Protection

p.36
Rigid Sheet

p.38
Rubrails/
Diamond Plate

p. 40
Expressions Rigid
Sheet

p.42
Headwalls

p.44
Palladium™ 3D
Wall Systems

p.46
Handrails

p.58
Corner Guards

p.72
Wall Guards

p.86
Chair Rails

Door and Wall
Protection

p.88
Bed Locators

p.90
Door Protection

p.92
eiDoors™

p.98
Color Palettes

p.102
Product Data

p.107
Tools and Adhesives

p.106
Cost Index

3500 Handrail ■

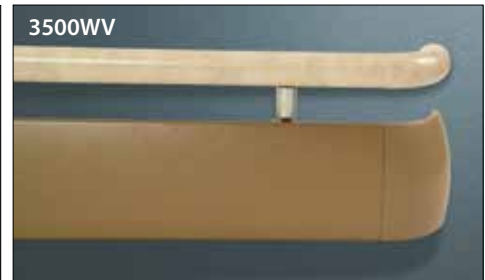
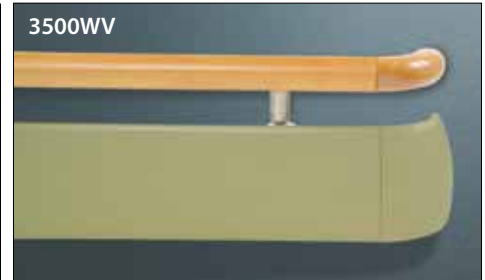
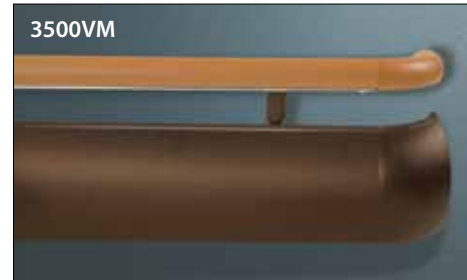
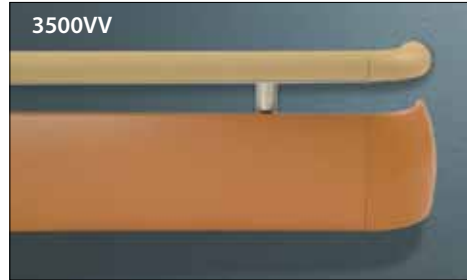
- 3500- 77/8" Height, 1 1/2" Grip with 5" Impact Bumper
- 3501 - Stainless Steel Mounting Bracket with plastic base
- 3502 - Left Return
- 3503 - Right Return
- 3504 - Outside Corner
- 3504135 - 135° Outside Corner
- 3505 - Inside Corner
- 3505135 - 135° Inside Corner
- 804 - Handrail Splice

For international code compliance, special brackets and accessories are available. Inside corners not available on select models. Minimums and set-up fees may apply. Many Silhouette handrails are custom products and are not returnable.

NOTE: Add prefix "G2" to part number for BioPolyPETG+™ Blend

Material Code:

- V - Vinyl
- FV - Woodland I (PVC Only)
- S - Stainless Steel
- W - Northern Hardwoods™
- M - Metal Tone
- B - Bumper (available on Northern Hardwood™ Bottom)



Mix and match and more...

An outstanding selection of colors and patterns allow the Silhouette Handrails to complement your other interior finishes. Mix and match Metal Tones, vinyls, Northern Hardwoods, stainless steel and Woodlands using a variety of colors and patterns (p.98-102)



3500WVB features a bumper guard option

Handrails



p.34
Wall Protection

p.36
Rigid Sheet

p.38
Rubrails/
Diamond Plate

p. 40
Expressions Rigid
Sheet

p.42
Headwalls

p.44
Palladium™ 3D
Wall Systems

p.46
Handrails

p.58
Corner Guards

p.72
Wall Guards

p.86
Chair Rails

Door and Wall
Protection

p.88
Bed Locators

p.90
Door Protection

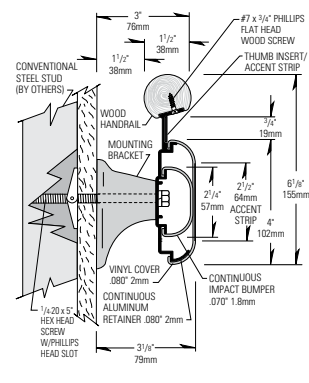
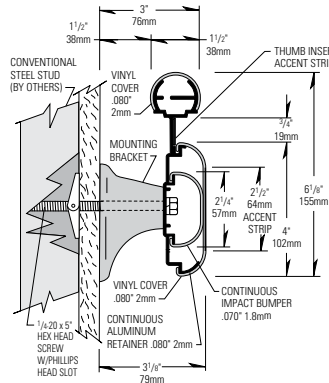
p.92
eiDoors™

p.98
Color Palettes

p.102
Product Data

p.107
Tools and Adhesives

p.106
Cost Index



- The 3000 and 3055 Handrails deliver superior impact protection with an internal vinyl bumper on lower half.
- Hand grip portion of handrail is available in vinyl or G2 Blend®.
- Meet safety codes with ADA and ANSI compliance.
- Minimize seams with standard 12' lengths.
- Vinyl and non-PVC profiles are GREENGUARD® certified.

3000* – 6 1/8" Height, 1 1/2" Vinyl and non-PVC Grip, .080" cover, .080" continuous aluminum retainer and 4" high .070" Impact Bumper

3055* – 6 1/8" Height, 1 1/2" Vinyl and non-PVC Grip, .080" cover, .080" continuous aluminum retainer and 4" high .070" Impact Bumper with Accent Strip

- 801 – Mounting Bracket
- 3002 – Left Return
- 3003 – Right Return
- 3004 – Outside Corner
- 3005 – Inside Corner
- 3004135 – 135° Outside Corner
- 3005135 – 135° Inside Corner
- 804 – Splice

* 3055 are custom products. Minimums apply and product is not returnable. NOTE: Add prefix "G2" to part number for BioPolyPETG+™ Blend



Material Choices:
 PVC (Rigid Vinyl) p.9
 G2 Blend® BioPolyPETG+™ p.8

Color Choices:
 Standard Colors p.98
 Woodlands I p.101 (PVC Only)
 Woodlands I & II (accent strip) p. 101 (PVC Only)
 Elements (accent strip) p. 100 (PVC Only)

Thumb Grip Insert Colors:

Brushed Aluminum 5037	Cobalt 5035	Polished Brass 5038
Polished Aluminum 5039	Brushed Brass 5036	Glow Brite 5040

- The 3000W and 3055W Handrails allow you to add a decorative or wayfinding accent strip.
- Hand grip portion of handrail is available in a variety of wood options, including bamboo, red oak, maple, FSC ash and unfinished Poplar.
- Meet safety codes with ADA and ANSI compliance.
- Minimize seams with standard 12' lengths.

3000W* – 6 1/8" Height, 1 1/2" Wood Grip, 1 1/2" Vinyl and non-PVC Grip, .080" continuous aluminum retainer and 4" high .070" Impact Bumper

3055W* – 6 1/8" Height, 1 1/2" Wood Grip, .080" continuous aluminum retainer and 4" high .070" Impact Bumper with Accent Strip

- 801 – Mounting Bracket
- 3002W – Left Return
- 3003W – Right Return
- 3004W – Outside Corner
- 3005W – Inside Corner
- 3004135W – 135° Outside Corner
- 3005135W – 135° Inside Corner
- 804 – Splice

Wood grip sold in random lengths of 8'-16'. Bamboo provided in 6' 1/2' lengths.
 * 3000W and 3055W are custom products. Minimums apply and product is not returnable.
 NOTE: Add prefix "G2" to part number for BioPolyPETG+™ Blend



Material Choices:
 PVC (Rigid Vinyl) p.9
 G2 Blend® BioPolyPETG+™ p.8
 Bamboo-Natural or Carbonized
 Red Oak
 Maple
 FSC Ash - Certified by the Forest Stewardship Council
 Unfinished Poplar

Color Choices:
 Standard Colors p.98
 Northern Hardwoods™ p.100
 Woodlands I p.101 (PVC Only)
 Woodlands I & II (accent strip) p.101 (PVC Only)
 Elements (accent strip) p.100 (PVC Only)

Handrail & Leaning Rail

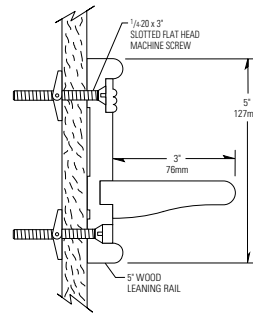
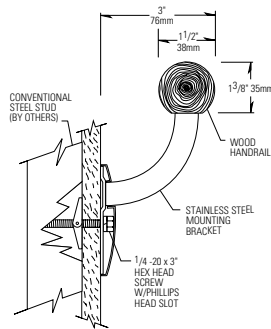


Handrail & Leaning Rail



Rapidly Renewable

Since bamboo is one of the earth's fastest growing plants, it's an excellent alternative to timber. Bamboo does not have to be replanted and requires no fertilizers or pesticides. It is harvested from stands that are closely controlled and achieve amazing growth leading to harvest in just three to five years.



- Order as stock lengths that require field cut returns and corners.
- Coordinate with Northern Hardwoods™ chair rails (p.87) and frames (p.231).
- Meet safety codes with ADA and ANSI compliance.
- Protected with a durable, low-VOC UV-coated finish.

HR9 - 1 3/8" Height w/ 1 1/2" Grip
RC9SS - Stainless Steel Return/Corner
RC90 - Oak Return/Corner
RC9M - Maple Return/Corner
SPL9SS - Stainless Steel Splice
910SS - Stainless Steel Bracket
912 - Plastic Bracket

**Northern Hardwoods™ Handrails and Leaning Rails are custom products. Product is not returnable. Custom profiles are available. Minimums and set-up may apply.*

Material Choices:

Bamboo-Natural or Carbonized
Red Oak
Maple
FSC Ash - Certified by the Forest Stewardship Council
Unfinished Poplar

Color Choice: Northern Hardwoods™ p.101

HR9 Handrail Options:



- Offers support for areas that do not require a handrail.
- Protected with a durable, low VOC UV-coated finish.

L1 - 5" Wood Leaning Rail
Provided in various lengths 8' to 16'

**Northern Hardwoods™ Handrails and Leaning Rails are custom products. Product is not returnable. Custom profiles are available. Minimums and set-up may apply.*

Material Choices:

Bamboo-Natural or Carbonized
Red Oak
Maple
FSC Ash - Certified by the Forest Stewardship Council
Unfinished Poplar

Color Choice: Northern Hardwoods™ p.101

Trying to coordinate your wall protection?

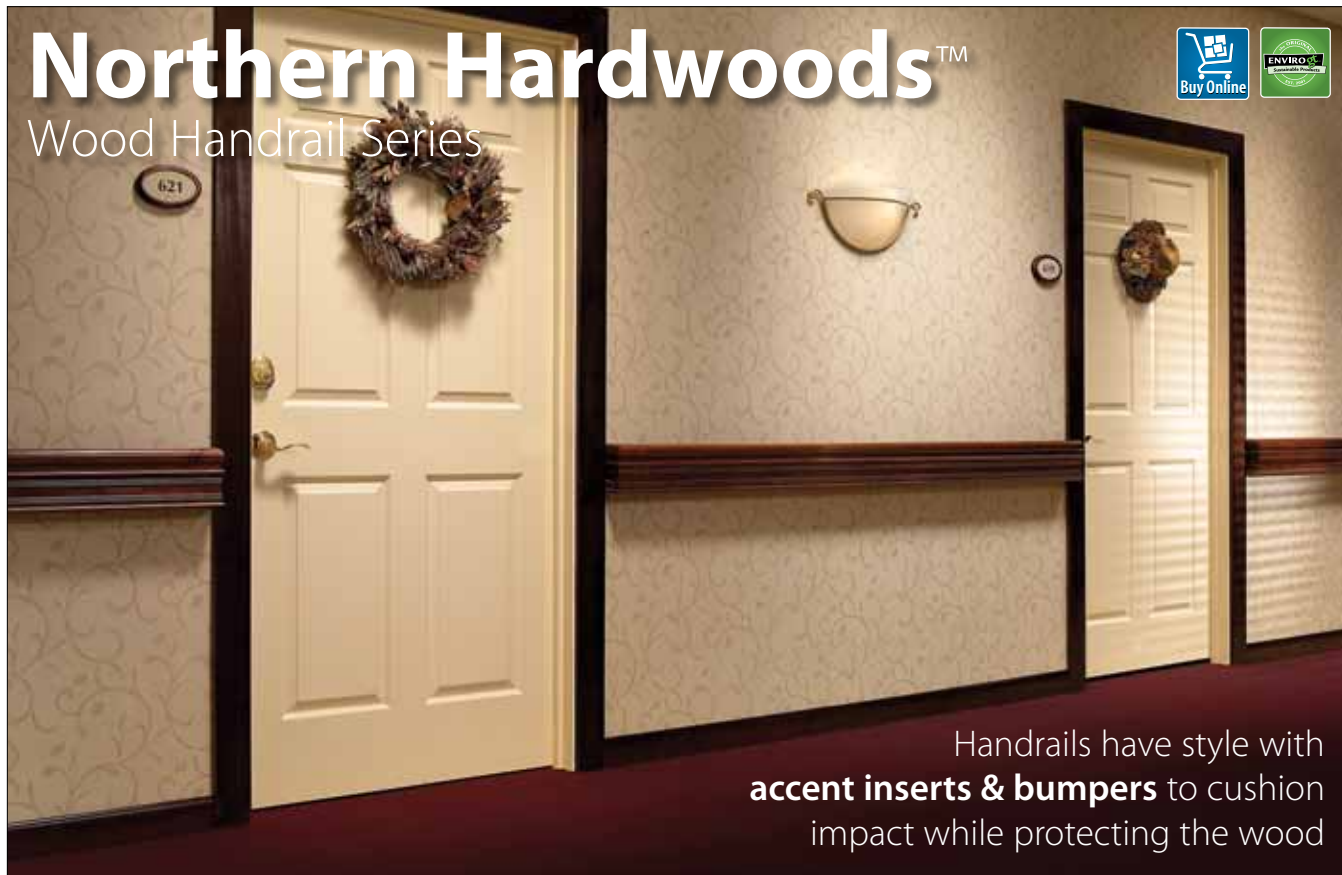
Learn more about Northern Hardwoods™ Chair Rails on p.86. Find sign frames in a variety of woods to match on p.233.



Methodist West Hospital, Des Moines, IA
A. 150D End Wall Protector p.65 | B. 3000W Handrail p.54

Northern Hardwoods™

Wood Handrail Series



Handrails have style with **accent inserts & bumpers** to cushion impact while protecting the wood

p.34
Wall Protection

p.36
Rigid Sheet

p.38
Rubrails/
Diamond Plate

p. 40
Expressions Rigid
Sheet

p.42
Headwalls

p.44
Palladium™ 3D
Wall Systems

p.46
Handrails

p.58
Corner Guards

p.72
Wall Guards

p.86
Chair Rails

Door and Wall
Protection

p.88
Bed Locators

p.90
Door Protection

p.92
eiDoors™

p.98
Color Palettes

p.102
Product Data

p.107
Tools and Adhesives

p.106
Cost Index

- Northern Hardwood™ Handrails may be ordered as pre-assembled units complete with returns per your specifications or as stock lengths requiring field cut returns and corners.
- Design interiors with natural or Carbonized bamboo; red oak, maple, poplar or Forest Stewardship Council (FSC) certified ash.
- Each selection is available in a variety of stain colors or unfinished poplar (only) (p.100).
- Coordinate with Northern Hardwoods™ chair rails (p.87) and frames (p.233).
- Meet safety codes with ADA and ANSI compliance.
- Protected with a durable, low VOC UV-coated finish.
- Optional rear mounting bracket assembly makes it easier to remove handrail with no finish screws to hide (*Standard for HR5: see right photo*).



HR1 ■
1 1/2" grip | Solid Wood (*Style A Shown*)

HR1 - 5 1/2" High Wood Handrail
Standard stock lengths: 8'-16'

**Northern Hardwoods™ Handrails are custom products. Product is not returnable. Custom profiles are available. Minimums and set-up may apply.*

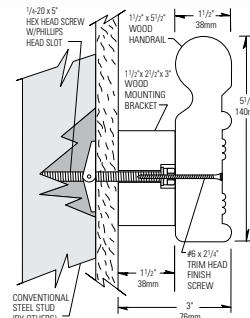


Material Choices:

Bamboo-Natural or Carbonized ■
Red Oak
Maple
FSC Ash - *Certified by the Forest Stewardship Council*
Unfinished Poplar

Color Choices:

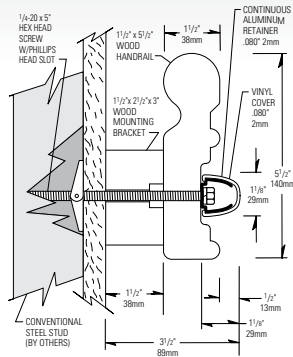
Standard Colors p.98
BioPrism™ Solid Surface p.266
Northern Hardwoods™ p.100





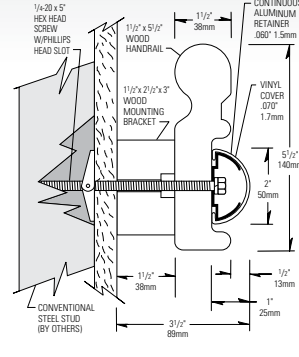
HR2 ■
1 1/2" grip | 1 1/8" Impact Bumper

HR2 - 5 1/2" High Wood Handrail, stock lengths: 8'-16'
*Northern Hardwoods™ Handrails are custom products. Product is not returnable.
Custom profiles are available. Minimums and set-up may apply.



HR3 ■
1 1/2" grip | 2" Impact Bumper

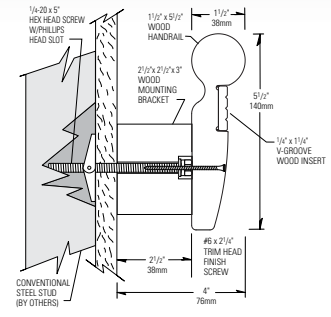
HR3 - 5 1/2" High Wood Handrail, stock lengths: 8'-16'
*Northern Hardwoods™ Handrails are custom products. Product is not returnable.
Custom profiles are available. Minimums and set-up may apply.



HR4 ■
1 1/2" grip | BioPrism™ Solid Surface Insert (Style E shown)

HR4 - 5 1/2" High Wood Handrail, stock lengths: 8'-16'
*Northern Hardwoods™ Handrails are custom products. Product is not returnable.
Custom profiles are available. Minimums and set-up may apply.

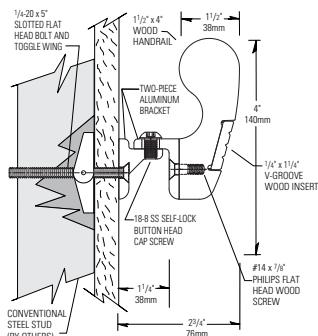
Style Choices: A: Solid Wood (no insert), B: PVC Insert (Rigid Vinyl), C: V-Groove Wood Insert, D: Solid Wood Insert
E: BioPrism™ Solid Surface



HR5 ■
1 1/2" grip | Rigid Sheet Insert (Style B Shown)

HR5 - 4" High Wood Handrail, stock lengths: 8'-16'
*Northern Hardwoods™ Handrails are custom products. Product is not returnable.
Custom profiles are available. Minimums and set-up may apply.

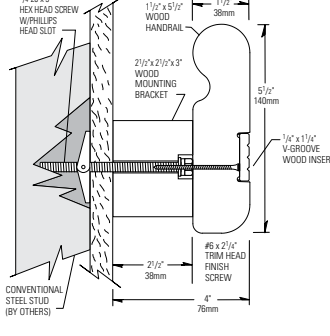
Style Choices: A: Solid Wood (V-Groove), B: PVC Insert (Rigid Vinyl), C: V-Groove Wood Insert, D: Solid Wood Insert and E: BioPrism™ Solid Surface



HR8 ■
1 1/2" grip | Flex Bumper (Style F shown)

HR8 - 5 1/2" High Wood Handrail, stock lengths: 8'-16'
*Northern Hardwoods™ Handrails are custom products. Product is not returnable.
Custom profiles are available. Minimums and set-up may apply.

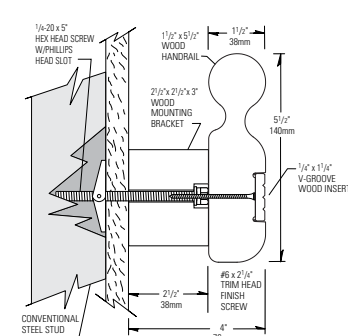
Style Choices: A: Solid Wood (no insert), B: PVC Insert (Rigid Vinyl), C: V-Groove Wood Insert, D: Solid Wood Insert
E: BioPrism™ Solid Surface and F: Flex Bumper



HR12 ■
1 1/2" grip | Solid Wood Insert (Style C shown)

HR12 - 5 1/2" High Wood Handrail, stock lengths: 8'-16'
*Northern Hardwoods™ Handrails are custom products. Product is not returnable.
Custom profiles are available. Minimums and set-up may apply.

Style Choices: A: Solid Wood (no insert), B: PVC Insert (Rigid Vinyl), C: V-Groove Wood Insert, D: Solid Wood Insert
E: BioPrism™ Solid Surface and F: Flex Bumper



Corner Protection

Solve damage to corners from carts, luggage or wheelchair traffic



• • • • • **TOP/BOTTOM CAP**
Top/Bottom Caps create a professional, finished look

• • • • • **BLUNOSE RETAINER**
Patented design protects corner from traffic abuse and is nearly 4X stronger than aluminum retainers and 6X stronger than other vinyl retainers.

• • • • • **VINYL COVER**
Vinyl Cover is available in a variety of colors to coordinate with other interior finishes

p.34
Wall Protection

p.36
Rigid Sheet

p.38
Rubrails/
Diamond Plate

p. 40
Expressions Rigid
Sheet

p.42
Headwalls

p.44
Palladium™ 3D
Wall Systems

p.46
Handrails

p.58
Corner Guards

p.72
Wall Guards

p.86
Chair Rails

Door and Wall
Protection

p.88
Bed Locators

p.90
Door Protection

p.92
eiDoors™

p.98
Color Palettes

p.102
Product Data

p.107
Tools and Adhesives

p.106
Cost Index

The warmth of wood

Combine the warmth of wood with rigid vinyl. Available on most corner guards in a variety of patterns from the Woodland I color palette (p.101)



Why do I need corner protection?

- With surface mount, flush mount and fire rated corner guards, InPro offers the right corner protectors for your needs.
- Complement interiors with standard colors, combine the warmth of woodgrain with durability or allow the wall color to show through with clear corner guards.
- From fire rated to stainless steel, InPro has you covered.
- Vinyl and non-PVC profiles are GREENGUARD® certified.



Take advantage of the InPro Advantages.



Buy Online

Featuring 24/7 purchasing, order history, tracking and configurations to aid your selection; buying building products online doesn't get much easier. When you see the **blue** ■, visit inprocorp.com to buy online now!



Sustainable Products

EnviroGT™ Sustainable Building products feature materials that reduce the environmental impact, qualifying for LEED® credits and environmental certifications. The **green** ■ lets you know it's "green". See pg.5 to learn more.



Quick Ship

InPro keeps high volume inventories of many products due largely to on-site manufacturing. When you see a **red** ■ it means we have products on the shelf and ready to ship. See pg.17-24 to learn more.



BIM Objects

BIM objects, or Building Information Models, are available for most InPro products as you plan for your next building project. A growing solution for improving architectural concepts, collaboration and precise construction, BIM objects are available when you see the **yellow** ■. Download objects at inprocorp.com and AutoDesk Seek

Corner Guard Overview

The **cost index** percentage is based on our most popular product, the 158BN Corner Guard and provides you with an average measure of cost when considering the best solution for your plans or facility.

See p.107 for more information.

Textured Tape-on Corner Guards p.60

Cost index = 27



Clear Polycarbonate Corner Guards p.61

Cost index = 29



Flexible Corner Guards p.61

Cost index = 108



Surface Mount Corner Guards p.62

with Blunose Retainer

Cost index = 100



Surface Mount Corner Guards p.64

with Aluminum Retainer

Cost index = 125



Stainless Steel Corner Guards p.66

Cost index = 298



Flush Mount End Wall Protectors p.69

Cost index = 401



Surface Mount End Wall Protectors p.65

Cost index = 349



Flush Mount Corner Guards p.68

Cost index = 241



Heavy Duty Rubber Corner Guards p.66

Cost index = 275



Fire Rated Corner Guards p.70

Cost index = 418



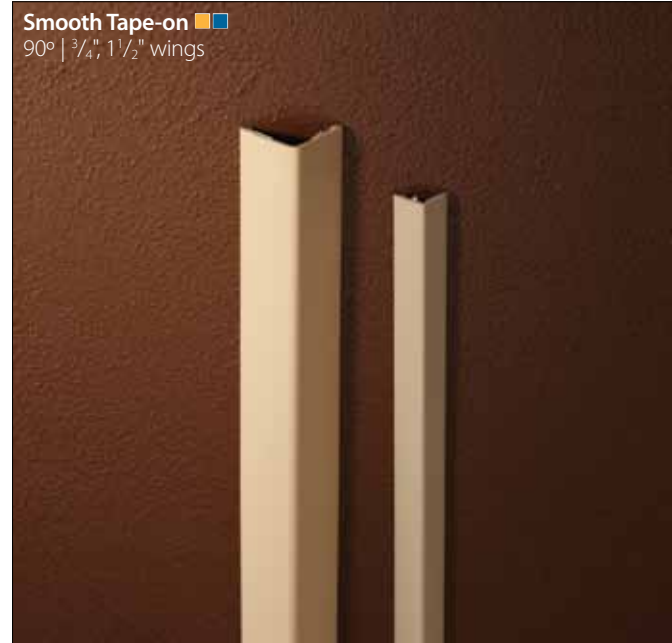
Corner Guards



| Textured Tape-on | Smooth Tape-on |



Textured Tape-on ■■■
90° Bullnose, 90°, 135°
See drawings for available wing sizes



Smooth Tape-on ■■
90° | 3/4", 1 1/2" wings

A **budget-friendly solution** that provides the corner protection you need.

- Protect rounded corners from damage caused by pedestrian traffic with bullnose textured tape-on corner guards.
- Quick installation with factory applied adhesive tape.
- No-tape option for installation on vinyl wallcovering with a heavy-duty adhesive.

- 3436* – 3/4" x 3/4" x 3', 90°
- 3448 – 3/4" x 3/4" x 4', 90°
- 3496 – 3/4" x 3/4" x 8', 90°
- 3409 – 3/4" x 3/4" x 9', 90°
- 3412 – 3/4" x 3/4" x 12', 90°
- 11236* – 1 1/2" x 1 1/2" x 3', 90°
- 11248 – 1 1/2" x 1 1/2" x 4', 90° ■
- 11296 – 1 1/2" x 1 1/2" x 8', 90° ■
- 11209 – 1 1/2" x 1 1/2" x 9', 90°
- 11212 – 1 1/2" x 1 1/2" x 12', 90°
- 22173* – 2" x 2" x 3', 90° bullnose
- 22174 – 2" x 2" x 4', 90° bullnose
- 22178 – 2" x 2" x 8', 90° bullnose
- 22179 – 2" x 2" x 9', 90° bullnose
- 221712 – 2" x 2" x 12', 90° bullnose
- 3336* – 3" x 3" x 3', 90°

- 3348 – 3" x 3" x 4', 90°
- 3396 – 3" x 3" x 8', 90°
- 3309 – 3" x 3" x 9', 90°
- 3312 – 3" x 3" x 12', 90°
- 236135* – 1 1/2" x 1 1/2" x 3', 135°
- 248135 – 1 1/2" x 1 1/2" x 4', 135°
- 296135 – 1 1/2" x 1 1/2" x 8', 135°
- 209135 – 1 1/2" x 1 1/2" x 9', 135°
- 212135 – 1 1/2" x 1 1/2" x 12', 135°
- 336135* – 3" x 3" x 3', 135°
- 348135 – 3" x 3" x 4', 135°
- 396135 – 3" x 3" x 8', 135°
- 309135 – 3" x 3" x 9', 135°
- 312135 – 3" x 3" x 12', 135°

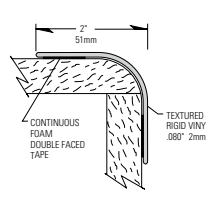
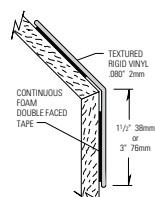
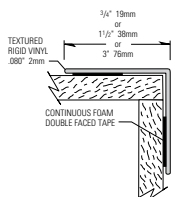
* These are custom sizes and are not returnable. Minimums may apply. For no-tape option, place an "N" after the item number. NOTE: Add prefix "G2" to part number for BioPolyPETG+™ Blend

Color Choices:

Standard Colors p.98
Woodlands I & II p.101 (PVC Only)

Material Choices:

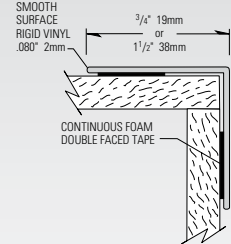
PVC (Rigid Vinyl) p.9
G2 Blend® BioPolyPETG+™ ■ p.8



- Smooth, tape-on corner guard available for easy cleaning and quick installation
- Factory applied adhesive tape or no-tape option
- Allows installation on vinyl wallcovering with a heavy-duty adhesive.

- 3448S – 3/4" x 3/4" x 4', 90°
- 3496S – 3/4" x 3/4" x 8', 90°
- 11248S – 1 1/2" x 1 1/2" x 4', 90°
- 11296S – 1 1/2" x 1 1/2" x 8', 90°

Minimum orders apply. Other colors available, set-up charges may apply. NOTE: Add prefix "G2" to part number for BioPolyPETG+™ Blend



Door and Wall Protection

p.34
Wall Protection

p.36
Rigid Sheet

p.38
Rubrails/
Diamond Plate

p. 40
Expressions Rigid
Sheet

p.42
Headwalls

p.44
Palladium™ 3D
Wall Systems

p.46
Handrails

p.58
Corner Guards

p.72
Wall Guards

p.86
Chair Rails

p.88
Bed Locators

p.90
Door Protection

p.92
eiDoors™

p.98
Color Palettes

p.102
Product Data

p.107
Tools and Adhesives

p.106
Cost Index

Corner Guards



| Clear | Flexible |



Clear ■ ■
90° and 135° | 3/4", 1 1/8", 2 1/2" wings



NEW! Flexible Clear ■ ■
25° to 175° | 1" wings



Flexible ■ ■
90° and 135° | 3/4", 1 1/2" wings

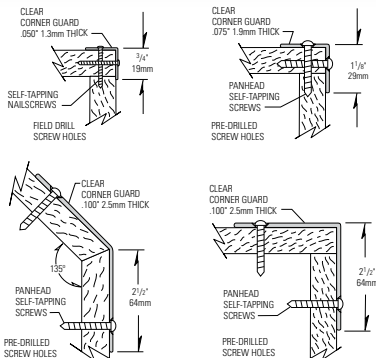
Offer minimum design interruption with **low-profile appearance.**

Clear

- Minimize design interruption by allowing wall color to show through.
- Ideal for light impact areas.
- Easy installation with pre-drilled holes and self-tapping screws (pre-drill not available on model 434 or 834).
- Available in a variety of sizes.

434* - 3/4" x 3/4" x 4', 90°
834* - 3/4" x 3/4" x 8', 90°
4118 - 1 1/8" x 1 1/8" x 4', 90°
8118 - 1 1/8" x 1 1/8" x 8', 90°
421290 - 2 1/2" x 2 1/2" x 4', 90°
821290 - 2 1/2" x 2 1/2" x 8', 90°
4212135 - 2 1/2" x 2 1/2" x 4', 135°
8212135 - 2 1/2" x 2 1/2" x 8', 135°

Custom sizes available, please call for details. *Not provided with pre-drilled holes.



Flexible Clear Corner Guard design bends to any degree which allows imperfect corners to have tight-fitting corner protection.

- Clear polycarbonate allows wall color or pattern to show through.
- Ideal for light impact areas..
- Easy installation with peel-n-stick adhesive

Poly-141F - 1" x 1" x 4', 90°
Poly-181F - 1" x 1" x 8', 90°

Flexible Corner Guard allows for easy installation on irregular corners by offering an adjustment of ±10°.

- Low profile appearance for minimum design interruption.

3448F - 3/4" x 3/4" x 4', 90°
3496F - 3/4" x 3/4" x 8', 90°
448135F - 3/4" x 3/4" x 4', 135°
496135F - 3/4" x 3/4" x 8', 135°
11248F - 1 1/2" x 1 1/2" x 4', 90°
11296F - 1 1/2" x 1 1/2" x 8', 90°
248135F - 1 1/2" x 1 1/2" x 4', 135°
296135F - 1 1/2" x 1 1/2" x 8', 135°

Also available in standard heights of 3', 9', 12'. Product to be installed with #535 Heavy Duty adhesive (PL-Premium) (p. 188)

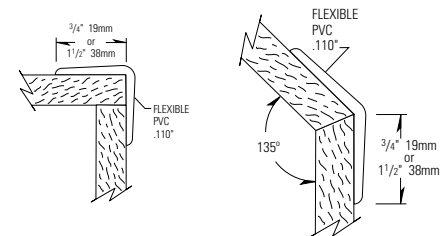
Color Choices:

Standard Colors p.98

A Clear Choice

Allow existing wall color or patterns to show through with Clear Wall Guards.

See p.84 to learn more.



Corner Guards



| SURFACE MOUNT BLUNOSE |



Blunose vinyl retainer is nearly **4x times stronger** than aluminum retainers.*

160BN Blunose Corner Guard is available through quick ship program to meet immediate needs.

- No pre-drilling of retainer is necessary, reducing installation time.
- Top and bottom caps allow for a more finished and professional installation.

163BN* – 2" x 2" x 3', 90°
 164BN – 2" x 2" x 4', 90° ■
 168BN – 2" x 2" x 8', 90° ■
 169BN – 2" x 2" x 9', 90°
 1612BN – 2" x 2" x 12', 90°
 *These are custom sizes and are not returnable. Minimums may apply.

Material Choices:
 PVC (Rigid Vinyl) p.9

Color Choices:
 Standard Colors p.98
 Woodlands I p.101 (PVC Only)

150BN Blunose Corner Guard meets immediate needs with our Quick Ship program.

- No pre-drilling of retainer is necessary, reducing installation time.
- Top and bottom caps allow for a more finished and professional installation.

153BN* – 3" x 3" x 3', 90°
 154BN – 3" x 3" x 4', 90° ■
 158BN – 3" x 3" x 8', 90° ■
 159BN – 3" x 3" x 9', 90°
 1512BN – 3" x 3" x 12', 90°
 *These are custom sizes and are not returnable. Minimums may apply.

Material Choices:
 PVC (Rigid Vinyl) p.9

Color Choices:
 Standard Colors p.98
 Woodlands I p.101 (PVC Only)

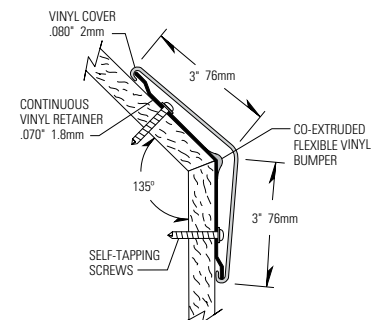
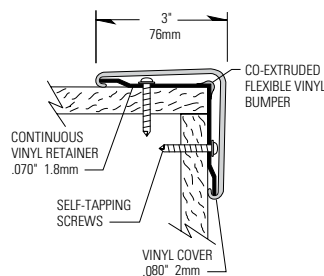
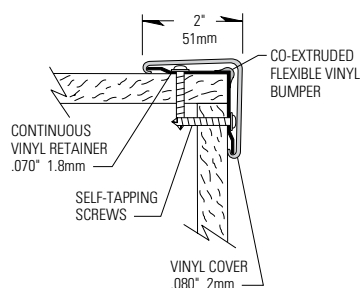


130BN Blunose Corner Guard is ideal for 135° corners that require corner protection from high-traffic abuse.

133BN* – 3" x 3" x 3', 135°
 134BN – 3" x 3" x 4', 135°
 138BN – 3" x 3" x 8', 135°
 139BN – 3" x 3" x 9', 135°
 1312BN – 3" x 3" x 12', 135°
 *These are custom sizes and are not returnable. Minimums may apply.

Material Choices:
 PVC (Rigid Vinyl) p.9

Color Choices:
 Standard Colors p.98
 Woodlands I p.101 (PVC Only)



*(ASTM F476)

Corner Guards



| SURFACE MOUNT BLUNOSE |



170BN | 90° Bullnose | 3" wing



160DBN | Endwall | 2" wing



150DBN | Endwall | 3" wing

Light-weight design of Blunose vinyl retainer reduces shipping costs.

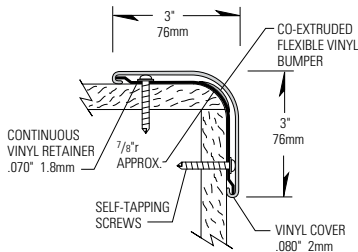
170BN Blunose Corner Guard provides a 90° bullnose radius corner for facilities with decorative edges.

- 173BN* – 3" x 3" x 3', 90° Bullnose
- 174BN – 3" x 3" x 4', 90° Bullnose
- 178BN – 3" x 3" x 8', 90° Bullnose
- 179BN – 3" x 3" x 9', 90° Bullnose
- 1712BN – 3" x 3" x 12', 90° Bullnose

* These are custom sizes and are not returnable. Minimums may apply.

Material Choices:
PVC (Rigid Vinyl) p.9

Color Choices:
Standard Colors p.98
Woodlands I p.101 (PVC Only)



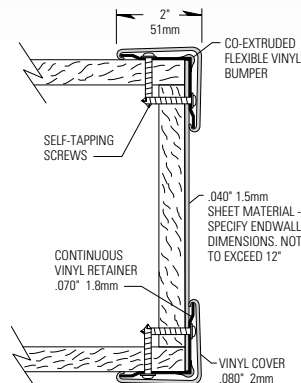
160DBN End Wall Protector combines two corner guards with IPC Rigid Sheet to create a finished look that protects against damage from carts and luggage.

- 163DBN* – 2" x 2" x 3', 90°
- 164DBN – 2" x 2" x 4', 90°
- 168DBN – 2" x 2" x 8', 90°
- 169DBN – 2" x 2" x 9', 90°
- 1612DBN – 2" x 2" x 12', 90°

Includes: (2) corner guards, (1) .040" thick rigid vinyl sheet. Maximum end wall width of 12" * These are custom sizes and are not returnable. Minimums may apply.

Material Choices:
PVC (Rigid Vinyl) p.9

Color Choices:
Standard Colors p.98
Woodlands I p.101 (PVC Only)



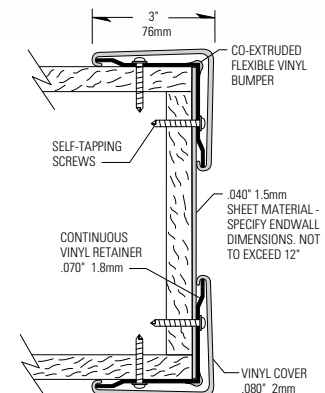
150DBN End Wall Protector combines two corner guards with IPC Rigid Sheet to create a finished look that protects against damage from carts and luggage.

- 153DBN* – 3" x 3" x 3', 90°
- 154DBN – 3" x 3" x 4', 90°
- 158DBN – 3" x 3" x 8', 90°
- 159DBN – 3" x 3" x 9', 90°
- 1512DBN – 3" x 3" x 12', 90°

Includes: (2) corner guards, (1) .040" thick rigid vinyl sheet. Maximum end wall width of 12" * These are custom sizes and are not returnable. Minimums may apply.

Material Choices:
PVC (Rigid Vinyl) p.9

Color Choices:
Standard Colors p.98
Woodlands I p.101 (PVC Only)



Corner Guards



| SURFACE MOUNT ALUMINUM |



Tight deadline? InPro keeps **Quick Ship corner guards** in stock!

160 Corner Guard meets immediate needs through our Quick Ship program.

- No pre-drilling of retainer is necessary, reducing installation time.
- Top and bottom caps allow for a more finished and professional installation.

- 163* – 2" x 2" x 3', 90°
- 164 – 2" x 2" x 4', 90° ■
- 168 – 2" x 2" x 8', 90° ■
- 169 – 2" x 2" x 9', 90°
- 1612 – 2" x 2" x 12', 90°

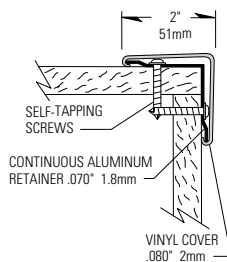
* These are custom sizes and are not returnable. Minimums may apply.
NOTE: Add prefix "G2" to part number for BioPolyPETG+™ Blend

Material Choices:

- PVC (Rigid Vinyl) p.9
- G2 Blend® BioPolyPETG+™ ■ p.8

Color Choices:

- Standard Colors p.98
- Woodlands I p.101 (PVC Only)



150 Corner Guard meets immediate needs through our Quick Ship program.

- No pre-drilling of retainer is necessary, reducing installation time.
- Top and bottom caps allow for a more finished and professional installation.

- 153* – 3" x 3" x 3', 90°
- 154 – 3" x 3" x 4', 90° ■
- 158 – 3" x 3" x 8', 90° ■
- 159 – 3" x 3" x 9', 90°
- 1512 – 3" x 3" x 12', 90°

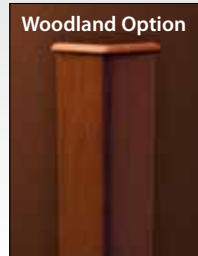
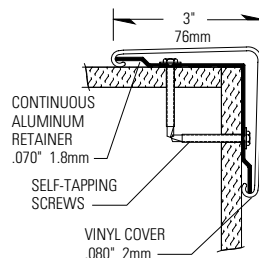
* These are custom sizes and are not returnable. Minimums may apply.
NOTE: Add prefix "G2" to part number for BioPolyPETG+™ Blend

Material Choices:

- PVC (Rigid Vinyl) p.9
- G2 Blend® BioPolyPETG+™ ■ p.8

Color Choices:

- Standard Colors p.98
- Woodlands I p.101 (PVC Only)



130 Corner Guard is ideal for 135° corners that require corner protection from high-traffic abuse.

- 133* – 3" x 3" x 3', 135°
- 134 – 3" x 3" x 4', 135°
- 138 – 3" x 3" x 8', 135°
- 139 – 3" x 3" x 9', 135°
- 1312 – 3" x 3" x 12', 135°

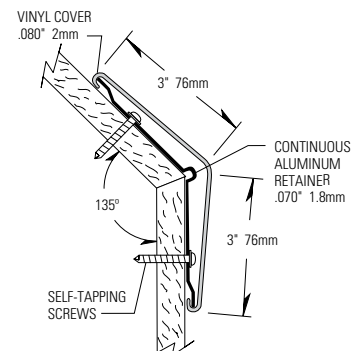
* These are custom sizes and are not returnable. Minimums may apply.
NOTE: Add prefix "G2" to part number for BioPolyPETG+™ Blend

Material Choices:

- PVC (Rigid Vinyl) p.9
- G2 Blend® BioPolyPETG+™ ■ p.8

Color Choices:

- Standard Colors p.98
- Woodlands I p.101 (PVC Only)



p.34 Wall Protection

p.36 Rigid Sheet

p.38 Rubrails/ Diamond Plate

p. 40 Expressions Rigid Sheet

p.42 Headwalls

p.44 Palladium™ 3D Wall Systems

p.46 Handrails

p.58 Corner Guards

p.72 Wall Guards

p.86 Chair Rails

Door and Wall Protection

p.88 Bed Locators

p.90 Door Protection

p.92 eiDoors™

p.98 Color Palettes

p.102 Product Data

p.107 Tools and Adhesives

p.106 Cost Index

Corner Guards



| SURFACE MOUNT ALUMINUM |



170 ■■■ | 90° Bullnose | 3" wing



160D ■■■ | Endwall | 2" wing



150D ■■■ | Endwall | 3" wing

Light-weight design of Bullnose vinyl retainer reduces shipping costs.

170 Corner Guard features a 90° bullnose radius corner ideal for facilities with decorative edges.

- 173* – 3" x 3" x 3', 90° Bullnose
- 174 – 3" x 3" x 4', 90° Bullnose
- 178 – 3" x 3" x 8', 90° Bullnose
- 179 – 3" x 3" x 9', 90° Bullnose
- 1712 – 3" x 3" x 12', 90° Bullnose

* These are custom sizes and are not returnable. Minimums may apply.
NOTE: Add prefix "G2" to part number for BioPolyPETG+™ Blend

Material Choices:

- PVC (Rigid Vinyl) p.9
- G2 Blend® BioPolyPETG+™ ■ p.8

Color Choices:

- Standard Colors p.98
- Woodlands I p.101 (PVC Only)

160D End Wall Protector combines two corner guards with IPC Rigid Sheet to provide a finished look that protects against damage from carts and luggage.

- 163D* – 2" x 2" x 3', 90°
- 164D – 2" x 2" x 4', 90°
- 168D – 2" x 2" x 8', 90°
- 169D – 2" x 2" x 9', 90°
- 1612D – 2" x 2" x 12', 90°

Includes: (2) corner guards, (1) .040" thick rigid vinyl sheet. Maximum end wall width of 12" * These are custom sizes and are not returnable. Minimums may apply.

NOTE: Add prefix "G2" to part number for BioPolyPETG+™ Blend

Material Choices:

- PVC (Rigid Vinyl) p.9
- G2 Blend® BioPolyPETG+™ ■ p.8

Color Choices:

- Standard Colors p.98
- Woodlands I p.101 (PVC Only)

150D End Wall Protector combines two corner guards with IPC Rigid Sheet to provide a finished look that protects against damage from carts and luggage.

- 153D* – 3" x 3" x 3', 90°
- 154D – 3" x 3" x 4', 90°
- 158D – 3" x 3" x 8', 90°
- 159D – 3" x 3" x 9', 90°
- 1512D – 3" x 3" x 12', 90°

Includes: (2) corner guards, (1) .040" thick rigid vinyl sheet. Maximum end wall width of 12" * These are custom sizes and are not returnable. Minimums may apply.

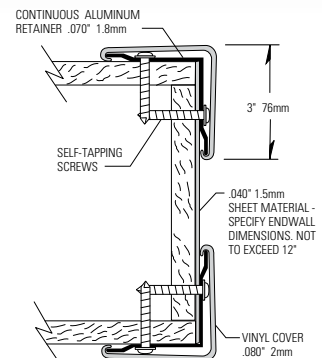
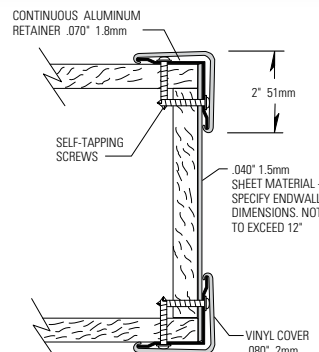
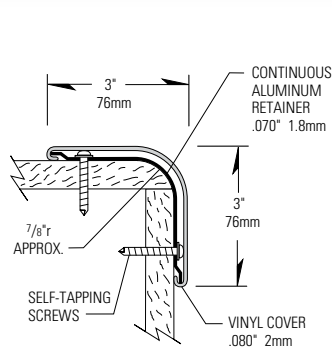
NOTE: Add prefix "G2" to part number for BioPolyPETG+™ Blend

Material Choices:

- PVC (Rigid Vinyl) p.9
- G2 Blend® BioPolyPETG+™ ■ p.8

Color Choices:

- Standard Colors p.98
- Woodlands I p.101 (PVC Only)



Corner Guards



| **Stainless Steel** | **Nu-Tree** | **Heavy Duty Rubber** |



Stainless Steel Surface Mount ■ ■
See drawings for available wing sizes



NEW! Nu-Tree Corner Guard
90° | 2" Wing



Heavy Duty Rubber ■ 90° | 4" Wing
See drawings for available wing sizes

Stainless Steel Corner Guards provide superior impact protection for use in kitchens and sanitation areas. *Gold Titanium Stainless Steel available at inprocorp.com*

- Conform to NSF Standard 51 for direct food contact in food service areas. (Type 304 Stainless Steel)
- Surface mount installation option includes cement-on or screw-on.

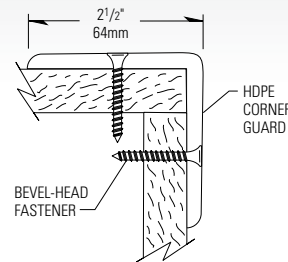
- 181124 – 1 1/2" x 1 1/2" x 4", 1/8" radius
- 181128 – 1 1/2" x 1 1/2" x 8", 1/8" radius
- 183124 – 3 1/2" x 1 1/2" x 4", 1/8" radius
- 183128 – 3 1/2" x 3 1/2" x 8", 1/8" radius

Custom angles, gauges and alloys available. Stainless steel corner guards are a custom product and are not returnable.

Material Choice: Stainless Steel
Type 430 and Type 304, 16 Gauge (Standard)
Type 430 and Type 304, 14 Gauge
Type 430 and Type 304, 18 Gauge

Nu-tree Corner Guards are manufactured from post-consumer recycled No. 2 plastic containers.

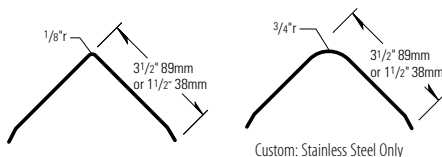
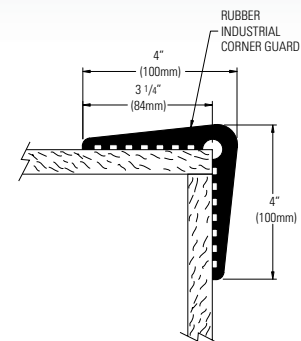
NT-CG11 – 2" x 2" x 8"
(Black only) Custom sizes available, please call for details.



Heavy Duty Rubber protects loading bays and back-of-house areas from severe damage caused by daily traffic.

- Available in black only.
- Suitable for interior and exterior use.

DW-CGR4-10 – 4" x 4" x 10"
Custom sizes available, please call for details.





College of San Mateo, San Mateo, CA
A. 160 Corner Guard p.64



A. Stainless Steel Corner Guards | B. 700 Wall Guard p.80



Oakwood Village, Madison, WI
A. 150BN Corner Guard p.62 | B. 2700 Chair Rail p.86 | C. 2000 Handrail p.49
D. IPC Rigid Woodland Sheet p.36 | E. Window Sign p.226



St. Anthony's Hospital, Oklahoma City, OK
A. 1200 Handrail p. 51 | B. 160D End Wall Protector p.65

Corner Guards



| Flush Mount |



Flush-mount design provides a smooth transition from wall to corner.

160F Flush Mount Corner Guard

- 164F – 2" x 2" x 4', 90°
 - 168F – 2" x 2" x 8', 90°
 - 169F – 2" x 2" x 9', 90°
 - 1612F – 2" x 2" x 12', 90°
 - 160B-4 – 4" Cove Base Retainer
 - 160B-6 – 6" Cove Base Retainer
 - 160F-Cap – Closure Cap
- NOTE: Add prefix "G2" to part number for BioPolyPETG+™ Blend

Material Choices:
 PVC (Rigid Vinyl) p.9
 G2 Blend® BioPolyPETG+™ ■ p.8

Color Choices:
 Standard Colors p.98
 Woodlands I p.101 (PVC Only)

150F Flush Mount Corner Guard

- 154F – 3" x 3" x 4', 90°
 - 158F – 3" x 3" x 8', 90°
 - 159F – 3" x 3" x 9', 90°
 - 1512F – 3" x 3" x 12', 90°
 - 150B-4 – 4" Cove Base Retainer
 - 150B-6 – 6" Cove Base Retainer
 - 150F-Cap – Closure Cap
- NOTE: Add prefix "G2" to part number for BioPolyPETG+™ Blend

Material Choices:
 PVC (Rigid Vinyl) p.9
 G2 Blend® BioPolyPETG+™ ■ p.8

Color Choices:
 Standard Colors p.98
 Woodlands I p.101 (PVC Only)

130F Flush Mount Corner Guard

- 134F – 3" x 3" x 4', 135°
 - 138F – 3" x 3" x 8', 135°
 - 139F – 3" x 3" x 9', 135°
 - 1312F – 3" x 3" x 12', 135°
 - 130B-4 – 4" Cove Base Retainer
 - 130B-6 – 6" Cove Base Retainer
 - 130F-Cap – Closure Cap
- NOTE: Add prefix "G2" to part number for BioPolyPETG+™ Blend

Material Choices:
 PVC (Rigid Vinyl) p.9
 G2 Blend® BioPolyPETG+™ ■ p.8

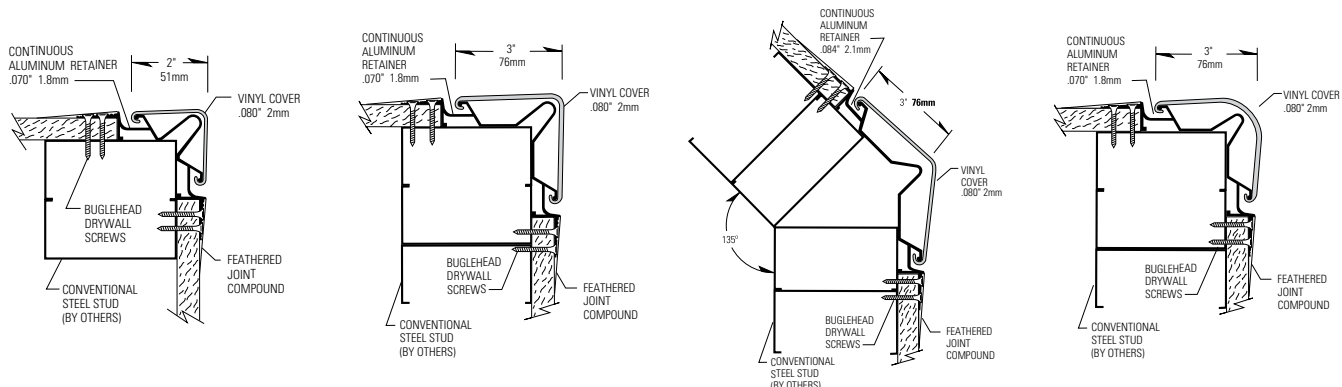
Color Choices:
 Standard Colors p.98
 Woodlands I p.101 (PVC Only)

170F Flush Mount Corner Guard

- 174F – 3" x 3" x 4', 90° Bullnose
 - 178F – 3" x 3" x 8', 90° Bullnose
 - 179F – 3" x 3" x 9', 90° Bullnose
 - 1712F – 3" x 3" x 12', 90° Bullnose
 - 170B-4 – 4" Cove Base Retainer
 - 170B-6 – 6" Cove Base Retainer
 - 170F-Cap – Closure Cap
- NOTE: Add prefix "G2" to part number for BioPolyPETG+™ Blend

Material Choices:
 PVC (Rigid Vinyl) p.9
 G2 Blend® BioPolyPETG+™ ■ p.8

Color Choices:
 Standard Colors p.98
 Woodlands I p.101 (PVC Only)



Corner Guards



| Flush Mount End Wall Protector | Stainless Steel |



140D End Wall Protector ■ ■ ■



Stainless Steel Flush Mount ■
90° | 3" wing



Stainless Steel End Wall Protector ■
90° | 5 1/8" Frame | 3" wing

Heavy-duty protection designed to withstand heavy-duty abuse in your facility.

140D End Wall Protector protects end wall from damage while providing a smooth transition around the end wall.

- 144D – 4', Flush Mount End Wall Protector
 - 148D – 8', Flush Mount End Wall Protector
 - 149D – 9', Flush Mount End Wall Protector
 - 1410D – 10', Flush Mount End Wall Protector
- End Wall Protectors are custom products and are not returnable.*
NOTE: Add prefix "G2" to part number for BioPolyPETG+™ Blend

Material Choices:

PVC (Rigid Vinyl) p.9
G2 Blend® BioPolyPETG+™ ■ p.8

Color Choices:

Standard Colors p.98
Woodlands I p.101 (PVC Only)

Stainless Steel Flush Mount Corner Guard offers heavy-duty corner protection with smooth transition from wall to corner. Specify the size you need!

- Standard wing size is 3".
- Available in floor to ceiling heights.

SS-CGFM - Type 430, 16 gauge custom wing and heights available

Custom angles, gauges and alloys available. Stainless steel flush mount corner guard is a custom product and is not returnable.

Material Choice: Stainless Steel

Type 430 and Type 304, 16 Gauge

Stainless Steel Flush Mount End Wall Protector offers heavy-duty corner protection with smooth transition from wall to corner. Specify the size you need!

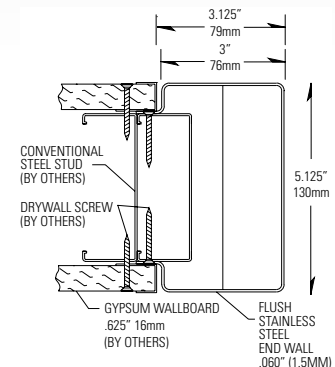
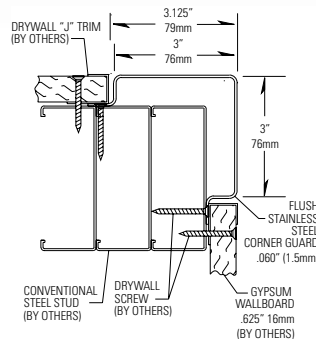
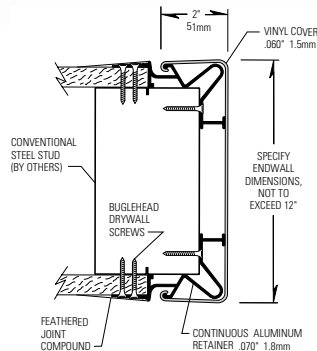
- Standard wing size is 3".
- Available in floor to ceiling heights.

SS-EWFM - Type 430, 16 gauge custom wing and heights available

Custom angles, gauges and alloys available. Stainless steel end wall protector is a custom product and is not returnable.

Material Choice: Stainless Steel

Type 430 and Type 304, 16 Gauge



Corner Guards



| Flush Mount Fire Rated |



Meet fire codes  with one-hour and two-hour fire ratings to choose from.

160FR Fire Rated Corner Guard

- 168FR1/FR2 – 2" x 2" x 8'; 90°
- 169FR1/FR2 – 2" x 2" x 9'; 90°
- 1612FR1/FR2 – 2" x 2" x 12'; 90°
- 160B-4 – 4" Cove Base Retainer
- 160B-6 – 6" Cove Base Retainer

Fire-rating Options:
FR1 denotes one hour fire rating.
FR2 denotes two hour fire rating.

Color Choices:
Standard Colors p.98
Woodlands | p.101 (PVC Only)

150FR Fire Rated Corner Guard

- 158FR1/FR2 – 3" x 3" x 8'; 90°
- 159FR1/FR2 – 3" x 3" x 9'; 90°
- 1512FR1/FR2 – 3" x 3" x 12'; 90°
- 150B-4 – 4" Cove Base Retainer
- 150B-6 – 6" Cove Base Retainer

Fire-rating Options:
FR1 denotes one hour fire rating.
FR2 denotes two hour fire rating.

Color Choices:
Standard Colors p.98
Woodlands | p.101 (PVC Only)

130FR Fire Rated Corner Guard

- 138FR1/FR2 – 3" x 3" x 8'; 135°
- 139FR1/FR2 – 3" x 3" x 9'; 135°
- 1312FR1/FR2 – 3" x 3" x 12'; 135°
- 130B-4 – 4" Cove Base Retainer
- 130B-6 – 6" Cove Base Retainer

Fire-rating Options:
FR1 denotes one hour fire rating.
FR2 denotes two hour fire rating.

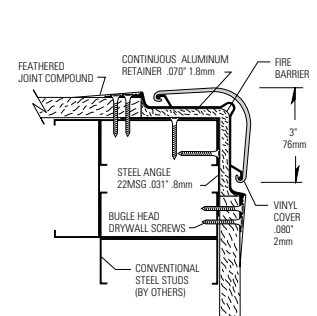
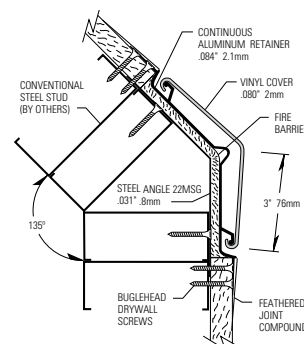
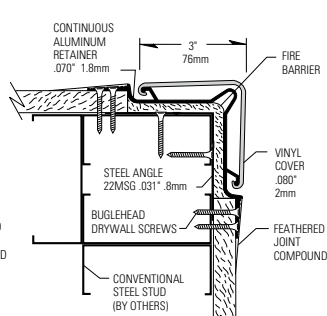
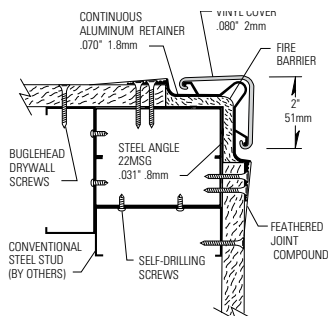
Color Choices:
Standard Colors p.98
Woodlands | p.101 (PVC Only)

170FR Fire Rated Corner Guard

- 178FR1/FR2 – 3" x 3" x 8'; 90° Bullnose
- 179FR1/FR2 – 3" x 3" x 9'; 90° Bullnose
- 1712FR1/FR2 – 3" x 3" x 12'; 90° Bullnose
- 170B-4 – 4" Cove Base Retainer
- 170B-6 – 6" Cove Base Retainer

Fire-rating Options:
FR1 denotes one hour fire rating.
FR2 denotes two hour fire rating.

Color Choices:
Standard Colors p.98
Woodlands | p.101 (PVC Only)



p.34
Wall Protection

p.36
Rigid Sheet

p.38
Rubrails/
Diamond Plate

p.40
Expressions Rigid
Sheet

p.42
Headwalls

p.44
Palladium™ 3D
Wall Systems

p.46
Handrails

p.58
Corner Guards

p.72
Wall Guards

p.86
Chair Rails

Door and Wall
Protection

p.88
Bed Locators

p.90
Door Protection

p.92
eiDoors™

p.98
Color Palettes

p.102
Product Data

p.107
Tools and Adhesives

p.106
Cost Index

